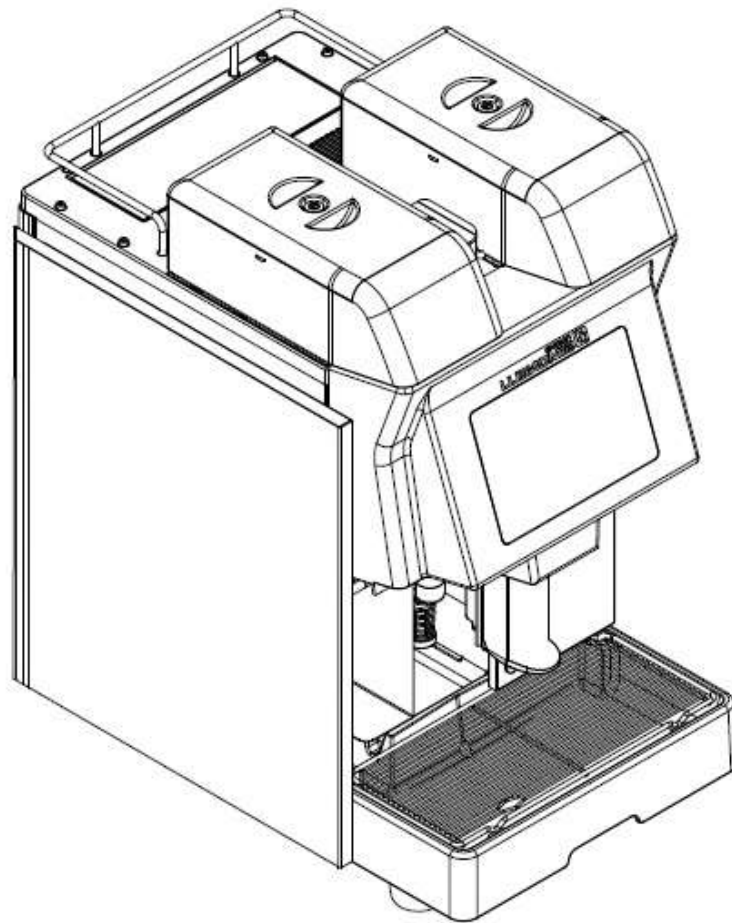


# SPARE PARTS BOOK

## prontobar



### PRONTOBAR TOUCH

15/12/2023

- T.01 **CABINET PARTS**  
COMPONENTI GRUPPO CARENA
- T.02 **FRAME PARTS**  
COMPONENTI TELAIO
- T.03 **BOILER PARTS**  
COMPONENTI CALDAIA
- T.04 **POURING UNIT GROUP PARTS**  
PARTI GRUPPO EROGAZIONE
- T.05 **GRINDERS PARTS**  
COMPONENTI MACININI
- T.06 **ELECTRICAL PARTS**  
COMPONENTI ELETTRICI
- T.07 **PUMP & STEAM-WATER WANDS**  
POMPA E LANCE VAP.-ACQUA
- T.08 **HYDRAULIC PARTS**  
COMPONENTI IDRAULICI
- T.09 **EASY CREAM PARTS**  
COMPONENTI EASY CREAM
- T.10 **OPTIONAL LIST**  
ELENCO OPTIONAL

» LEGEND :

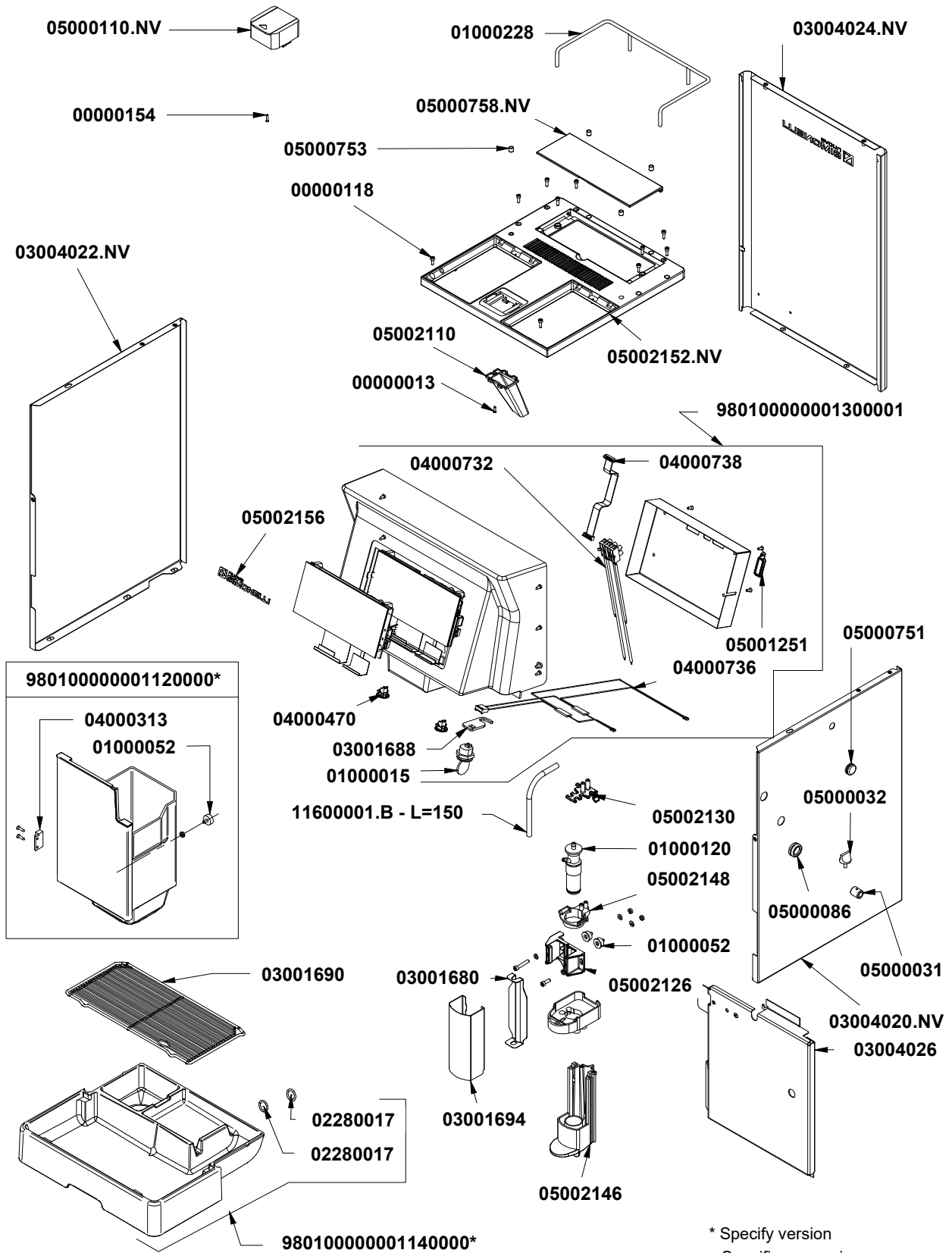
THE CODES WRITTEN IN BOLD REFER TO THE COMPONENTS  
EMPLOYED CURRENTLY.

THE CODES USED BEFORE ARE WRITTEN IN CORSIVE WITH INDICATED,  
ON THE SIDE, THE END OF VALIDITY DATE.

EXAMPLE:

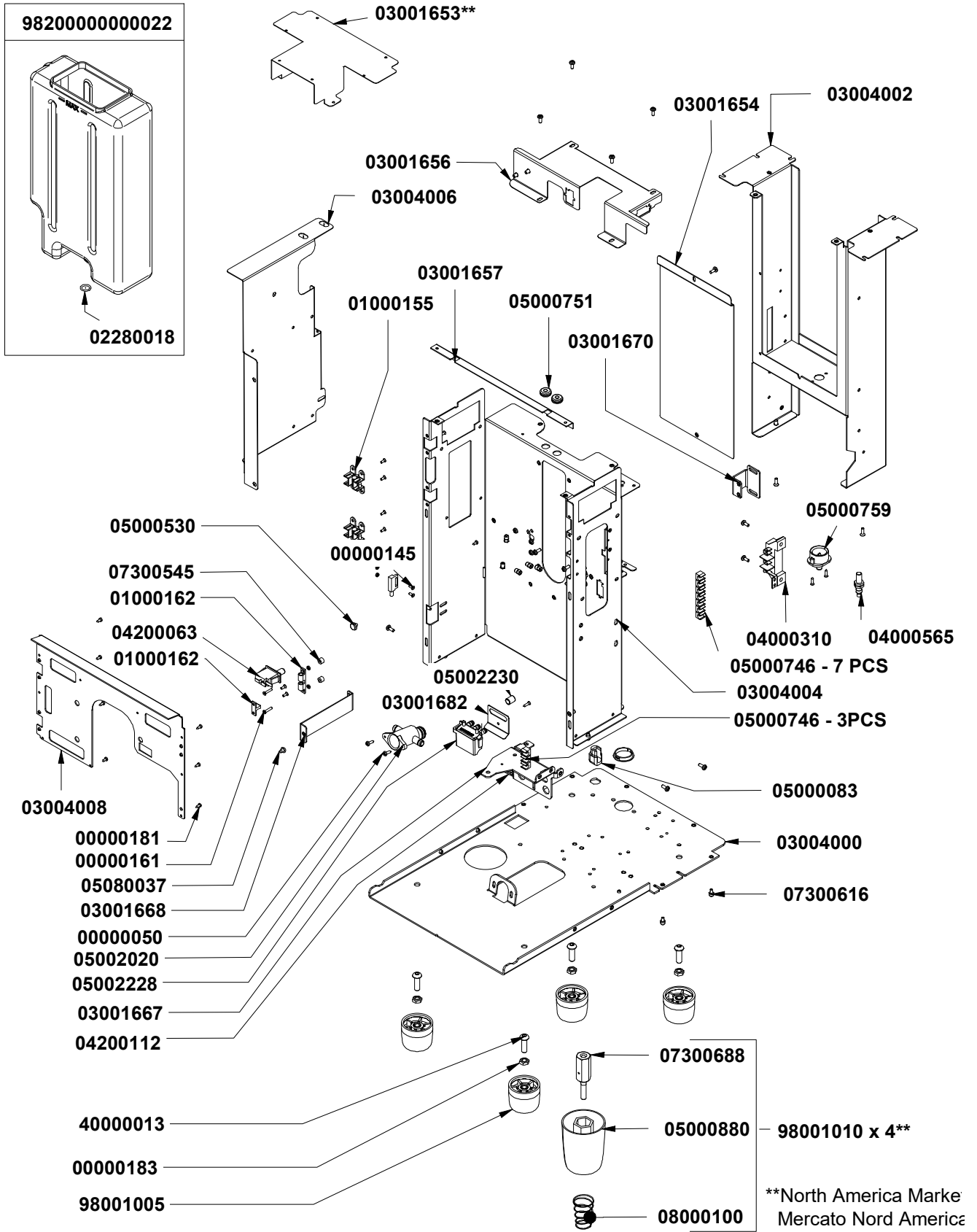
*03001531 - 01/09/2007*

**03001531**

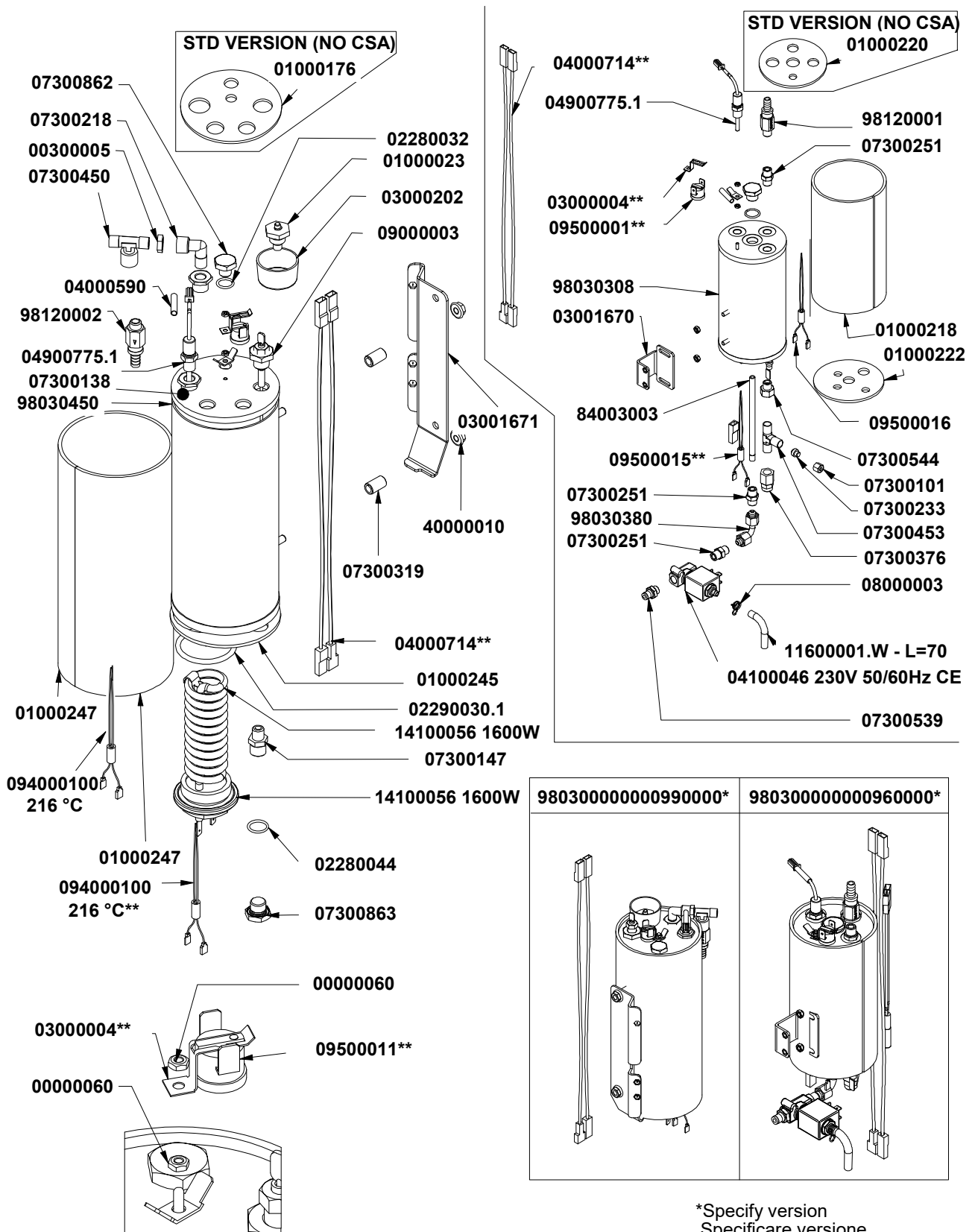


\* Specify version  
Specificare versione

COD.	DESCRIPTION	DESCRIZIONE	VAL.
00000013	S/S SLT COUNTERSUNK SCREW 3.5x9.5	VITE AUTOF INOX 3,5x9,5TSP/TCR	
00000118	S/SHEX SOCKET CAP SCREW M4x12 5931	VITE INOX M4x12 TCEI 5931	
00000154	S/S SCREW 3x16 TSPTCR DIN 7505 A	VITE INOX TRUCIOL. 3x16 TSP TCR DIN 7505 A	
01000015	CONTROLLED LOCK CONF. G 50 PZ	SERRATURA INVOLUCRO COMANDI CONF. G (50 pz.)	
01000052	MAGNET RPV 14	CALAMITA RPV 14	
01000120	MICROBAR MILK FROTHER	CAPPUCCINATORE "MICROBAR"	
01000228	S/S FRAME CASE COVER - PRONTOBAR 2 FUNNELS	CORNICE INOX COPERCHIO CARENA PRONTOBAR 2 CAM	
02280017	GASKET ORING R3062/AN12 D21 EP851	GUARN. OR R3062/AN12 D21 EP851	
03001680	DISPENSING SPOUT PANEL - PRONTOBAR	LAMIERA BECCO EROGAZIONE PRONTOBAR	
03001688	LOCK PLATE - PRONTOBAR	PIASTRA SERRATURA PRONTOBAR	
03001690	S/S MESH WORK SURFACE - PRONTOBAR	RETINA A FILO INOX PIANO LAV. PRONTOBAR	
03001694	S/S COVER DISPENSER SPOUT - PRONTOBAR	COVER ACC. INOX BECCO EROG. PRONTOBAR	
03004020.NV	RIGHT PANEL PRONTOBAR TFT MATT BLACK	CARENA DX PRONTOBAR TFT NERO VERN. OPACO	
03004022.NV	LEFT PANEL PRONTOBAR TFT MATT BLACK	CARENA SX PRONTOBAR TFT NERO VERN. OPACO	
03004024.NV	BACK PANEL PRONTOBAR TFT MATT BLACK	CARENA RETRO PRONTOBAR TFT NERO VERN. OPACO	
03004026	FRONTAL PANEL PRONTOBAR TFT STAINLESS STEEL	CARENA FRONTALE INFERIORE INOX PRONTOBAR TFT	
04000313	MAGNETIC UNIT M 305 AA	UNITA' MAGNETICA M 305 AA	
04000470	12VDC LED SPOT AURELIA WAVE	LED AURELIA18 12V	
R04000470	KIT-12VDC LED SPOT AURELIA WAVE-2Pcs	KIT -LED AURELIA18 12V-2PZ	
04000732	POWER SUPPLY WIRING TOUCH DPLY PRONTOBAR TFT	CABLAGGIO ALIMENTAZIONE DISPLAY TOUCH PRONTOBAR	
04000736	POWER SUPPLY WIRING LIGHTS PRONTOBAR TFT	CABLAGGIO ALIMENTAZIONE LUCI PRONTOBAR TFT	
04000738	CONN WIRE KEYPAD-CNTRL BOARD TALENTO 10WAY L=	CAVETTO CONNES. SCHEDA TAST. -SCHEDA 10 VIE L=630	
05000031	MILK-FROTHER REGULATION RING	ANELLO REGOLAZ. CAPPUCCINATORE	
05000032	THREADED KNOB	POMELLO FILETTATO	
05000086	MEMBRANE CABLE DUCT WHITE	PASSACAVO A MEMBRANA BIANCO	
05000110.NV	BLACK DECAFFEINATED FITTING PAINTED RAL 9005	RACCORDO DECAFFEINATO MASTER NERO VERN. RAL 9005	
05000751	BLACK PVC MEMBRANE GLAND D12x17x7	PASSACAVO PVC NERO D12x17x7 CON MEMBRANA	
05000753	MICROBAR BASE FRAME GROMMET D6	GOMMINO CORNICE CARENA MICROBAR D.6	
05001251	RUBBER USB COVER AURELIA II	CHIUSURA IN GOMMA PORTA USB LOGO V.A.	
05002110	DECAFFEINATED CONVEYOR PRONTOBAR	CONVOGLIATORE DECA PRONTOBAR	
05002126	DISPENSING SUPPORT PRONTOBAR	SUPPORTO EROGATORE PRONTOBAR GRIGIO	
05002130	SUPERIOR TUBE SUPPORT DISPENSING NOZZLE PRONT	SUPPORTO SUP. TUBI BECCO EROG. PRONTOBAR	
05002146	DISPENSING NOZZLE PRONTOBAR GREY FOR S/S COVE	BECCO EROGATORE PRONTOBAR GRIGIO PER COVER IN	
05002148	INFERIOR TUBE SUPPORT DISPENSING NOZZLE PRONT	SUPPORTO INF. TUBI BECCO EROG. PRONTOBAR	
05002152.NV	COVER MATT BLACK	COPERCHIO CARENA PRONTOBAR TFT NERO VERN. RAL	
05002156	LABEL NUOVA SIMONELLI PRONTOBAR L100	ETICHETTA "NUOVA SIMONELLI" PRONTOBAR L=100	
11600001.B	BLUE SILICONE PIPE 4x7,5 60Sh (1mt=41gr) PLATINICO SE	TUBO SILICONE BLU 4x7,5 60Sh (1mt=41gr) PLATINICOSEM	
98010000001120001	COFFEE GROUNDS DRAWER SET (NO DIRECT GROUND	ASS. CASSETTO FONDI (NO SCARICO DIRETTO FONDI)	
98010000001120002	COFFEE GROUNDS DRAWER SET (DIRECT GROUNDS DI	ASS. CASSETTO FONDI (SI SCARICO DIRETTO FONDI)	
980100000001140001	WATER DRIP TRAY SET (NO DIRECT GROUNDS DIS.)	ASS. VASCHETTA RACC.ACQUA (NO SCARICO DIR. FONDI)	
R980100000001140001	KIT-WATER COLLECTION TANK - 1Pcs	KIT-ASS. VASCHETTA RACC.ACQUA - 1Pz	
980100000001140002	WATER DRIP TRAY SET (DIRECT GROUNDS DIS.)	ASS. VASCHETTA RACC.ACQUA (SI SCARICO DIR. FONDI)	
980100000001300001	FRONT DOOR SET PRONTOBAR TFT MATT BLACK	ASS. PORTA FRONTALE PRONTOBAR TFT NERO OPACO	
05000758.NV	WATER TANK COVER 5LT PRONTOBAR BLK PAINTED RA	COPERCHIO VASCHETTA ACQUA 5LT PRONTOBAR NERO	



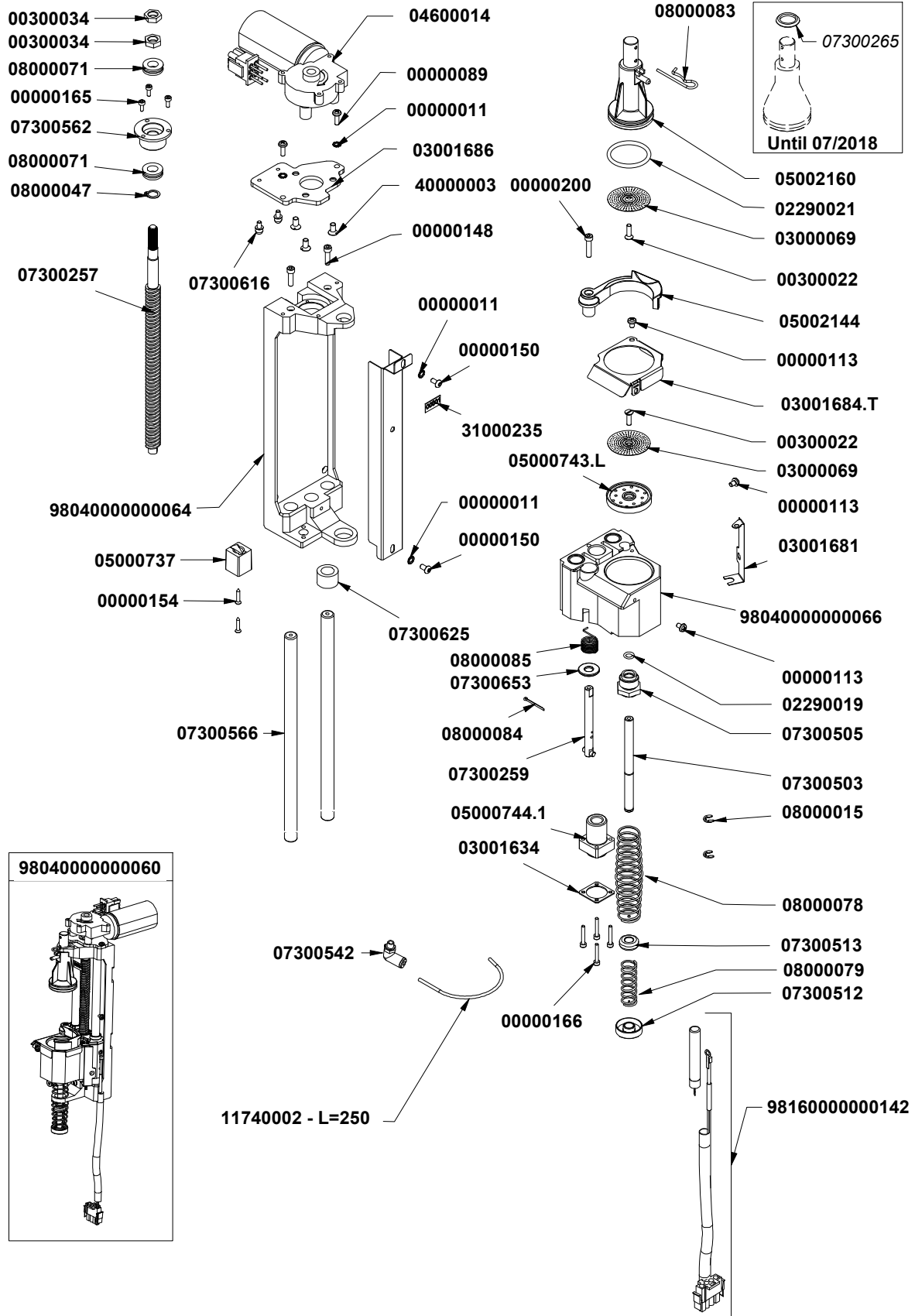
COD.	DESCRIPTION	DESCRIZIONE	VAL.
00000050	CROSS HEAD/CAP SELF-TAPPING CHIPBOARD SCREW 3	VITE AUTOF 3,5x12 TC/T.CR. TRUCIOLARE	
00000145	S/S SCREW M3x8 TSPEI UNI 5933	VITE INOX M3x8 TSPEI UNI 5933	
00000161	S/S HEXAGON SOCKET CS FH CAP SCREW M3x16 UNI 59	VITE INOX M3x16 TSPEI UNI 5933	
00000181	GALV CROSS HCS 3x8 DBL SPIRAL HILO TYPE UNI 9707	VITE TCTCR 3x8 DOPPIA ELICA HILO ZINC. UNI9707	
00000183	S/S NUT M8 LOW 5589 h5	DADO INOX M8 BASSO 5589 h5	
01000155	MICROBAR/PRONTOBAR DOOR HINGE 43x10 NICKEL-PL	CERNIERA SPORTELLO 43x10 NICH.MICROBAR/PRONTOB	
01000162	COMPLETE MICROBAR LOCK	SCROCCHETTO COMPL. MICROBAR	
02280018	RED SILICON GASKET O RING Sh70	GUARN. OR R11 D19 SILICONE ROSSO Sh70	
03001653	MOTOR GROUP PROTECTION PANEL - PRONTOBAR	LAMIERA PROTEZ. MOTORE GR. EROGAZIONE CSA	
03001654	CONTAINER SUPPORT ENCLOSURE PANEL - PRONTOBA	LAMIERA CHIUSURA SUPP. TANICA PRONTOBAR	
03001656	UPPER PROTECTION PANEL - PRONTOBAR	LAMIERA PROTEZIONE SUPERIORE PRONTOBAR	
03001657	UPPER REINFORCEMENT PROFILE FRAME - PRONTOBA	PROFILO RINFORZO SUPERIORE TELAIO PRONTOBAR	
03001667	STEAM WAND AND HOT WATER SUPPORT	SUPPORTO LANCIA VAPORE + ACQUA CALDA PRONTOBA	
03001668	FRONT SUPPORT PANEL - PRONTOBAR	LAMIERA SUPPORTO FRONTALE PRONTOBAR	
03001670	BOILER SUPPORT PANEL - PRONTOBAR	LAMIERA SUPPORTO CALDAIA PRONTOBAR	
03001682	GROUP DRAINAGE PANEL - PRONTOBAR	LAMIERA SCARICO GR. PRONTOBAR	
03004000	BASE FRAME	BASE TELAIO PRONTOBAR TFT	
03004002	TANK SUPPORT	SUPPORTO TANICA PRONTOBAR TFT	
03004004	GRINDERS SUPPORT SHEET	LAMIERA SUPPORTO MACININI PRONTOBAR TFT	
03004006	BOARD SUPPORT SHEET	LAMIERA SUPPORTO CENTRALINA PRONTOBAR TFT	
03004008	INTERNAL CLOSING SHEET FOR DOOR	LAMIERA CHIUSURA INTERNA PORTA PRONTOBAR TFT	
04000310	SCREW TERMINAL 3 POLE FV110 220V	MORSETTIERA A VITE FV110 230V 3 POLI	
04000565	WATER TANK MAGNETIC SENSOR M8x30 L=300	SENSORE MAGNETICO M8X30 L=300	
04200063	MICROSWITCH DOOR 3 POSITIONS	MICROSWITCH PORTA 3 POSIZIONI	
04200112	RED LIGHT 0/1 BIPOLAR SWITCH UL 16A	INTERRUTTORE BIPOLARE LUMINOSO ROSSO 0/1RETTAN	
05000083	CABLE LOCK SR 11-2 BLACK	BLOCCACAVO SR 11-2 NERO	
05000530	GRINDER FOOT JAZZ D3/6 STEAB 6304 PVC BLACK T.V.	PIEDINO MACININO/JAZZ D.3/6 STEAB 6304 PVC NEROT.V.	
05000746	PIPE-HOLDER CLIP D8/7 POSITIONS	CLIP FERMATUBO D8 /7 posizioni	
05000751	BLACK PVC MEMBRANE GLAND D12x17x7	PASSACAVO PVC NERO D12x17x7 CON MEMBRANA	
05000759	WATER CONTAINER COLLECTOR 5LT MICROBAR	COLLETTORE CONTENITORE ACQUA 5LT MICROBAR	
05000880	TALL FOOT EXTENSION 2005 D66 H80mm	PROLUNGA PIEDE ALTO 2005 D.66 H=80 mm.	
05002020	DRIP TRAY ATTACHMENT TALENTO	ATTACCO SCARICO VASCHETTA TALENTO	
05002228	DISCHARGE MANIFOLD DISPENSING GROUP	COLLETTORE SCARICO GRUPPI EROG	
05002230	DRAIN RUBBER PLUG D8 x 05002228	TAPPO GOMMA SCARICO D.8 x 05002228	
05080037	HARD RUBBER ROUND FOOT 9x5XH9	PIEDINO GOMMA DURA TONDO 9x5xh9	
07300545	MICROBAR DOOR LOCK SHIM	SPESSORE PER SCROCCHETTO PORTA MICROBAR	
07300616	MICROBAR FRAME PIN M4	PERNO CARENA M4 MICROBAR	
07300688	INSERT EXTENSION TALL FOOT ES 20 L=80 + M8 M-F FO	INSERTO PROLUNGA PIEDE ES 20 L=80 + M8 M-F PERPIED	
08000100	INTERNAL FOOT SPRING 2005	MOLLA INTERNA PIEDE 2005	
00000145	S/S SCREW M3x8 TSPEI UNI 5933	VITE INOX M3x8 TSPEI UNI 5933	
40000013	S/S SOCKET CAP SCREW M8x25	VITE INOX M8x25 TBEI	
05002228	DISCHARGE MANIFOLD DISPENSING GROUP	COLLETTORE SCARICO GRUPPI EROG	
05002230	DRAIN RUBBER PLUG D8 x 05002228	TAPPO GOMMA SCARICO D.8 x 05002228	
98001005	MACHINE FOOT BICOMPONENT D48H40 INSERT M8 FEM.	PIEDE MACCHINA BICOMPONENTE D.48 H=40 INSERTO M8	
98001010	KIT TALL FEET PRONTOBAR (4 PCS.)	KIT PIEDI ALTI PRONTOBAR (4 pz.)	
9820000000022	5LT WATER TANK SET WITH FLOAT	ASS. TANICA ACQUA 5LT CON GALLEGGIANTE	
R9820000000022	KIT-5LT WATER TANK SET WITH FLOAT - 1Pcs	KIT-ASS. TANICA ACQUA 5LT CON GALLEGGIANTE - 1Pz	



\*Specify version  
Specificare versione  
\*\*North America Market  
Mercato Nord America

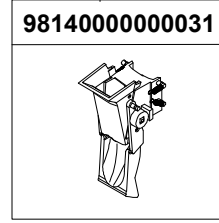
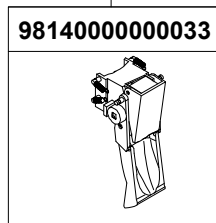
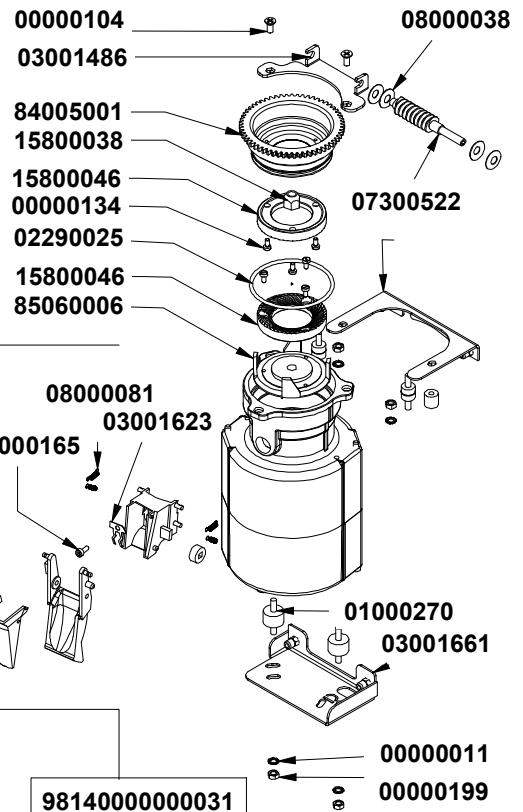
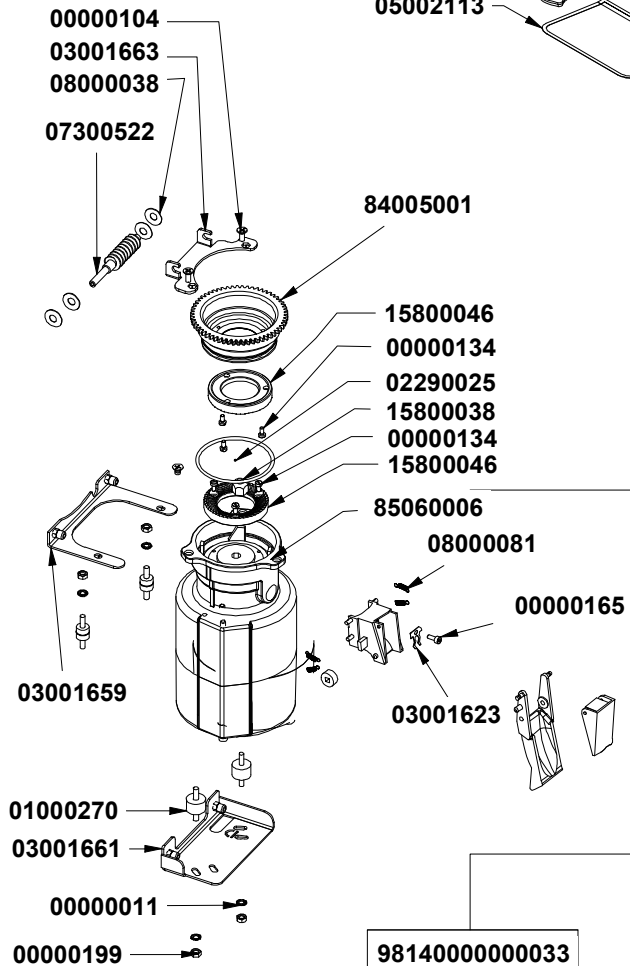
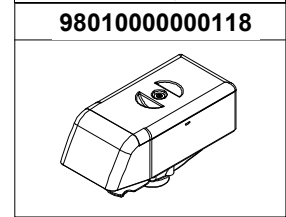
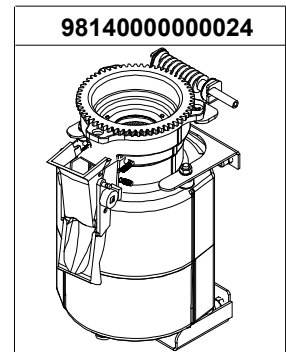
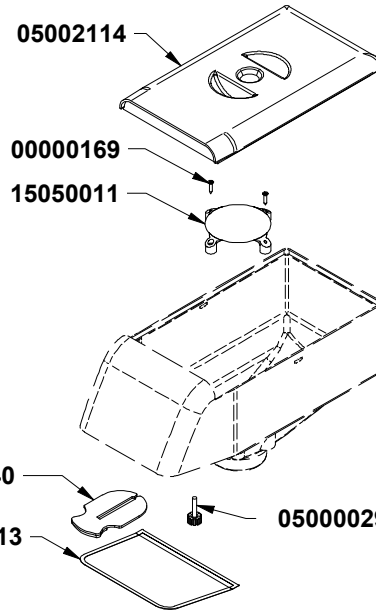
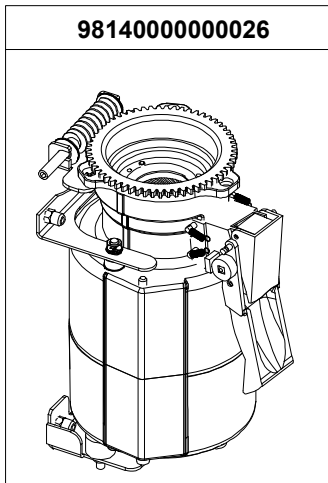
COD.	DESCRIPTION	DESCRIZIONE	VAL.
00000060	GALV MEDIUM NUT AQ M3	DADO AQ M3 MEDIO ZINCATO	
00300005	BRASS NUT 1/8 GAS D4 ADD 22.07.96 CH13	DADO OT 1/8 GAS AGG.22.07.96 SPESS.4 CH13	
01000023	ANTI VACUUM VALVE	VALVOLINA SFIATO	
R01000023	KIT-ANTI VACUUM VALVE - 3Pcs	KIT-VALVOLINA SFIATO - 3Pz	
01000176	COFFEE BOILER INSULATOR D.90	ISOLANTE D.90 CALDAIA CAFFE'	
01000218	BOILER INSULATION D80 115x252,7	ISOLANTE CALDAIA D80 155x252,7	
R01000218	KIT-BOILER INSULATION D80 115x252,7 - 3Pcs	KIT-ISOLANTE CALDAIA D80 155x252,7 - 3Pz	
01000220	BOILER INSULATION SUPERIOR D80	ISOLANTE SUPER. D.80 CALDAIA	
R01000220	KIT-BOILER INSULATION SUPERIOR D80 - 8Pcs	KIT-ISOLANTE SUPER. D.80 CALDAIA - 8Pz	
01000222	BOILER INSULATION INFERIOR D80	ISOLANTE INFER. D.80 CALDAIA	
01000245	STEAM BOILER INSULATION D.90	ISOLANTE D.90 CALDAIA VAPORE V.A. 1GR	
01000247	STEAM BOILER INSULATION VA 1GR	ISOLANTE CALDAIA VAPORE V.A. 1GR	
02280032	GASKET O RING 114 D15 EP 851	GUARN. OR 114 D.15 EP 851	
R02280032	KIT-GASKET O RING 114 D15 EP - 25Pcs	KIT-GUARN. OR 114 D.15 EP - 25Pz	
02280044	GASKET O RING 14x1.78 EP851	GUARN. OR 14x1,78 EP851 2056 MS15	
02290030.1	GASKET O RING 147 D50 BLACK 49.92x42.86x3.53	GUARN. OR 147 D.49.92 NBR NERO49.92x42.86x3.53	
03000004	SINGLE BRACKET FOR THERMOSTAT	STAFFA SINGOLA x TERMOSTATO	
03000202	CONDENSATION TRAY MASTER	VASCHETTA RACCOGLI CONDENSA AGG. 07.06.97	
03001670	BOILER SUPPORT PANEL - PRONTOBAR	LAMIERA SUPPORTO CALDAIA PRONTOBAR	
03001671	BOILER SUPPORT PANEL - PRONTOBAR 2017 CSA	LAMIERA SUPPORTO CALDAIA VAPORE PRONTOBAR 2017	
04000590	RED WIRE LABELLING RUBBER SLEEVE (HELAVIA A2 VO	MANICOTTO GOMMA SEGNACAVO ROSSO (HELAVIA A2NE	
04000714	WIRING BOILER THERMOSTAT PRONTOBAR CSA	CABLAGGIO TERMOSTATO CALDAIA PRONTOBAR CSA	
04100046	3WAY SOLENOID 1/8 1/8 M HOSE SUPPORT 230V 50/60Hz	E.V. NC 3VIE 1/8-1/8 PORTAG. 230V 50/60Hz VITONF1.5/1.2	
04900775.1	TEMPERATURE PROBE 150°NTC ATT.1/8 SS 4X20	SONDA TEMPERATURA 150 ATT.1/8 INOX 4x20 AMP MODU	
R04900775.1	KIT-TEMPERATURE PROBE 150°NTC ATT.1/8 SS 4X20 - 1P	KIT-SONDA TEMPERATURA 150 ATT.1/8 INOX 4x20- 1Pz	
07300101	FITTING NUT 1/8 GAS	DADO RACCORDO 1/8 GAS	
07300138	FITTING ADAPTER 1/4M-1/8F ES.17 AGG.29.05.96 OT-58	RIDUZIONE 1/4"M - 1/8"F ES.17 AGG. 29.05.96 OT-58	
07300147	FITTING 1/4 F.7 1/8 F.5 M-M AGG. 18.06.97	RACCORDO 1/4 F.7 1/8 F.5 M-M AGG. 18.06.97	
07300218	FITTING L 1/8 M-F 458	RACCORDO L 1/8 M-F 458	
07300233	CLOSED TERMINAL D8	TERMINALE CHIUSO D.8	
07300251	FITTING 1/8 M-M HOLE 5,5 + THREADED M6 x L=11	RACCORDO 1/8 M-M FORO 5,5 + FILETT. M6 x L.=11	
R07300251	KIT-FITTING 1/8 M-M HOLE 5,5 + THREADED M6 x L=11 - 4	KIT-RACCORDO 1/8 M-M FORO 5,5 + FILETT. M6 x L.=11- 4P	
07300319	LEVER FULCRUM SLOT BUSHING ADD. 23.11.95	BOCCOLA CAVALLOTTO FULCRO LEVAAGG. 23.11.95	
07300376	STRAIGHT FITTING F6 1/8	RACCORDO DIR.F. 6 1/8-CALZAM.	
07300450	FITTING T 1/8 M-F-M OT-57	RACCORDO T 1/8 M-F-M OT-57	
07300453	T FITTING 1/8 M-M-M	RACCORDO T 1/8 M-M-M	
07300539	RAPID FITTING 1/8 STRAIGHT D4	RACCORDO RAPIDO 1/8 DIRITTO D4	
07300544	MF 1/8" ES 14 FOR S/S FILTER D8	PROLUNGA MF 1/8" ES 14 x FILTRO INOX D8	
07300862	PLUG 1/8 GAS Aisi304 + ORING POSITION	TAPPO 1/8 GAS + SEDE OR INOX Aisi304	
07300863	PLUG 1/4 GAS Aisi304 + ORING POSITION	TAPPO 1/4 GAS + SEDE OR INOX Aisi304	
08000003	HOSE CLAMP D9,1	FASCETTA STRINGITUBO D9.1	
094000100	HEATING ELEMENT THERMAL PROTECTION 216°CE5 MIC	TERMOPROTETTORE X RESIST. E5 216°C MICR 2 GUAINA	
09000003	AUTOLEVEL SENSOR L=115 +PTFE+1/8" CONNECTION	SONDA AUTOLIVELLO COMP. L=115 CON GOLA	
R09000003	KIT-AUTOLEVEL SENSOR L=115 +PTFE+1/8" CONNECTIO	KIT-SONDA AUTOLIVELLO COMP. L=115 CON GOLA - 1Pz	
09500001	AUTOMATIC THERMOSTAT 98°C BLUE DRIPPING	TERMOSTATO RIARMO AUTOM 98C GOCCIOLATURA BLU	
R09000003	KIT-AUTOLEVEL SENSOR L=115 +PTFE+1/8" CONNECTIO	KIT-SONDA AUTOLIVELLO COMP. L=115 CON GOLA - 1Pz	
09500011	AUTOMATIC THERMOSTAT 150°C FASTON 6,3 VERTICAL	TERMOSTATO R.AUT. 150 C FASTON 6,3 VERTICALIGOC	
09500015	HEATING ELEMENT THERMAL PROTECTION G5 184°C 16	TERMOPROTETTORE x RESISTENZA G5 184°C 16A 250V U	
09500016	HEATING ELEMENT CARTRIDGE THERMAL PROTECTION	TERMOPROTETTORE A CARTUCCIA 184 C 250V xRESISTE	
11600001.W	WHITE SILICONE PIPE 4x7,5 60Sh(1mt=41gr) PLATINICO S	TUBO SILICONE BIANCO4x7,5 60Sh(1mt=41gr) PLATINICO S	

COD.	DESCRIPTION	DESCRIZIONE	VAL.
14100056	HEATING ELEMENT 1"1/4 1600W 230V	RESISTENZA 1"1/4 1600W 230V	
40000010	NUT M6 W/ WELDED GALV WASHER	DADO AQ M6 RONDELLA SALDATA ZINCATO	
84003003	BOILER COPPER TUBE D6 MICROBAR	TUBO RAME D6 CALDAIA MICROBAR	
98030000000960001	COFFEE BOILER SET PRONTOBAR 230V 50/60Hz	ASS. CALDAIA CAFFE' 230V 50/60Hz	
98030000000960002	COFFEE BOILER SET PRONTOBAR 208-240V CSA	ASS. CALDAIA CAFFE' 208-240V CSA	
98030000000960003	COFFEE BOILER SET 230V CCC	ASS. CALDAIA CAFFE' 230V CCC	
98030000000990002	STEAM BOILER SET 230V	ASS. CALDAIA VAPORE 230V	
98030000000990001	STEAM BOILER SET 208-240V CSA	ASS. CALDAIA VAPORE 208-240V CSA	
98030308	S/S WELDED BOILER Aisi316 D77 L145 230V 1000W	CALDAIA SALD. ACCIAIO Aisi316 D.77 L=145 230V1000W	
98030380	INFERIOR HOT WATER BOILER TUBE PRONTOBAR	TUBO INF. CALDAIA ACQUA CALDA PRONTOBAR	
98030450	WELDED STEAM BOILER VA 1GR	CALDAIA SALDATA V.A. 1GR. VAPORE ACCIAIO	
98120001	NEPLAX VITON 16,5 BAR VALVE 1/8 HOSE CLAMP	VALVOLA NEPLAX VITON 16,5 BAR 1/8 - PORTAGOMMA	
R98120001	KIT-NEPLAX VITON 16,5 BAR VALVE 1/8 HOSE CLAMP - 2P	KIT-VALVOLA NEPLAX VITON 16,5 BAR 1/8 - PORTAGOMMA	
98120002	NEPLAX VITON 6,5 BAR VALVE 1/8 HOSE CLAMP	VALVOLA NEPLAX VITON 6,5 BAR 1/8 - PORTAGOMMA	
R98120002	KIT-NEPLAX VITON 6,5 BAR VALVE 1/8 HOSE CLAMP - 1P	KIT-VALVOLA NEPLAX VITON 6,5 BAR 1/8 - PORTAGOMMA	

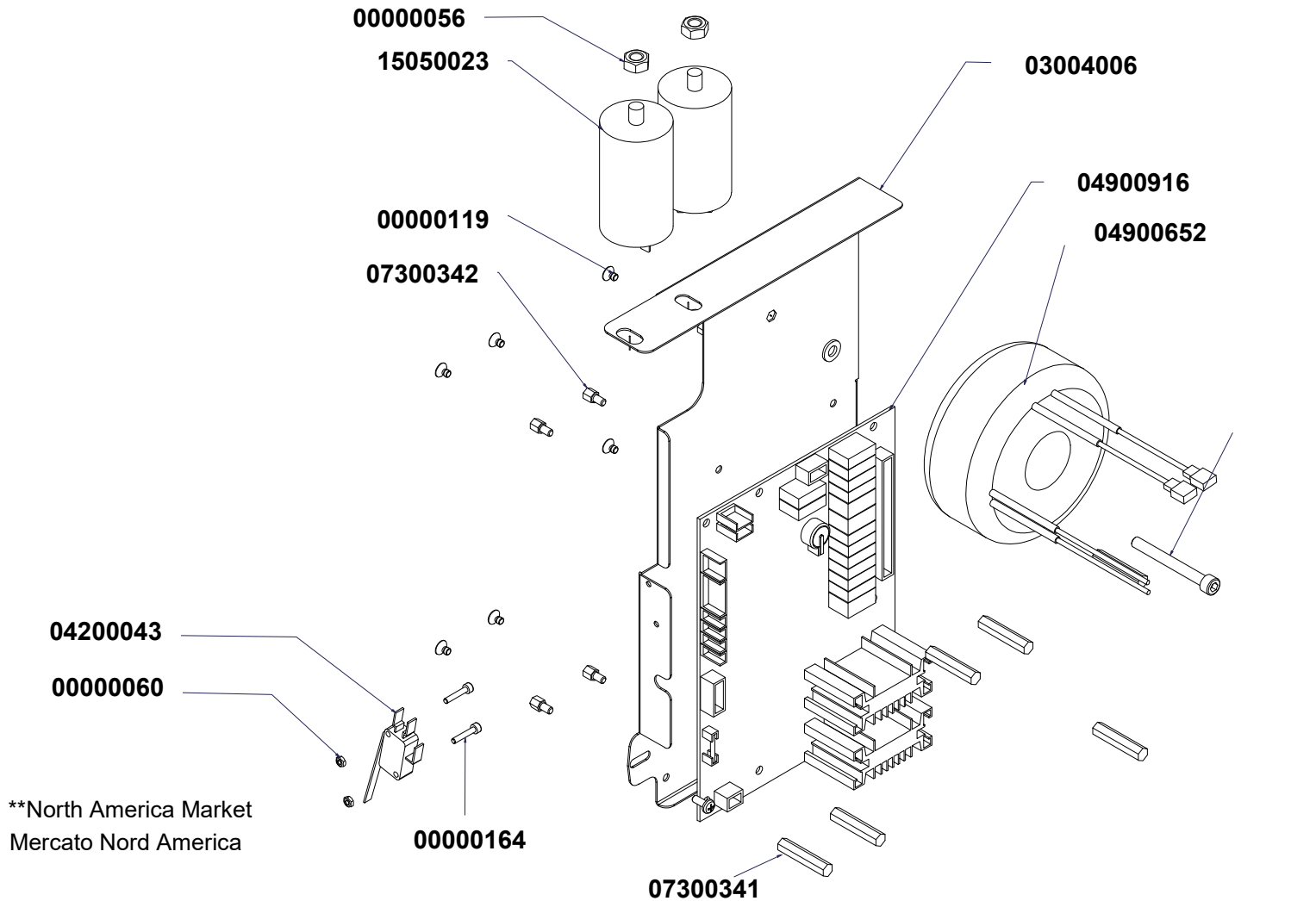


COD.	DESCRIPTION	DESCRIZIONE	VAL.
00000011	S/S KNURLED WASHER M4 UNI8842/A	RONDELLA INOX M4 ZIGRINATA UNI8842/A	
00000089	S/S CROSSHEAD CAP SCREW M4x12 DIN7985	VITE INOX M4x12 TC TCR DIN7985	
00000113	S/S CROS SHEAD CAP SCREW M4x6 7985	VITE INOX M4x6 TC TCR 7985	
00000148	S/S HEXAGON SOCKET HEAD SCREW M4x16 UNI 5931	VITE INOX M4x16 TCEI UNI 5931	
00000150	S/S HEXAGON SOCKET RD SCREW M4x6 ISO 7380	VITE INOX M4x6 TBEI ISO 7380	
00000154	S/S SCREW 3x16 TSPTCR DIN 7505 A	VITE INOX TRUCIOL. 3x16 TSP TCR DIN 7505 A	
00000165	S/S SCREW M3x8 TCEI ISO 4762	VITE INOX M3x8 TCEI ISO 4762	
00000166	S/S SCREW M3x20 TCEI ISO 4762	VITE INOX M3x20 TCEI ISO 4762	
00000200	S/S SCREW M4x20 UNI 5931	VITE INOX M4x20 TCEI UNI 5931	
00300022	S/S SLT COUNTERSUNK SCREW M4X14 DIN963	VITE INOX M4x14 TSP TC DIN963	
00300034	BRASS NUT M10x1.25 D4.5 CH14	DADO OT M10x1.25 SPESS.4.5 CH14	
02290019	GASKET O-RING LOWER PISTON R6 DF801 VITON	GUARN. OR R6 DF801 VITON	
R02290019	KIT-GASKET O-RING LOWER PISTON DF801 VITON - 20Pcs	KIT-GUARNIZIONE OR R6 DF801 VITON - 20Pz	
02290021	GASKET O RING 140/4137 D41.5 SIL RED Sh70	GUARN. OR 140/4137 DE.41.58 SIL. ROSSO 7XL1715	
R02290021	KIT-GASKET O RING 140/4137 D41.5 SIL RED Sh70 - 8Pcs	KIT-GUARN. OR 140 SIL. ROSSO 7XL1715 - 8Pz	
03000069	S/S SHOWER D40 X M4 CS ADD 08.01.99	DOCCIA INOX D.40 x M4 T.SVP AGG.08.01.99	
R03000069	KIT-S/S SHOWER D40 X M4 CS - 5Pcs	KIT-DOCCIA INOX D.40 x M4 - 5Pz	
03001634	FASTENING PLATE FOR MICROBAR 08 GROUP SCREW V	PIASTRINA FISSAGGIO CHIOCCIOLA VITE GRUPPOMICRO	
03001681	PLATE SUPPORT GR DISPENSING RESISTANCE - PRONT	PIASTRINO SOSTEGNO RESISTENZA GR.EROGAZIONEPR	
03001684.T	TEFLON DISPENSING GROUP PANEL - PRONTOBAR	LAMIERA GR. EROGAZ. PRONTOBAR TEFLONATA	
03001686	DISPENSING GROUP ENGINE ADAPTATION PLATE - PRO	PIASTRA ADATTAMENTO MOTORE GR.EROGAZIONE PRO	
04600014	GEARMOTOR 24Vcc ENCODER PRONTOBAR D42 LEFT 4	MOTORIDUTTORE 24Vcc ENCODER "PRONTOBAR" D.4240	
05000737	MICROBAR UNIT EJECTION BUSHING MICROBAR/PRONT	BOCCOLA MOV. ESPULSIONE MICROBAR/PRONTOBAR	
R05000737	KIT-MICROBAR UNIT EJECTION BUSHING - 15Pcs	KIT-BOCCOLA MOV. ESPULSIONE - 15Pz	
05000743.L	NYLON INFERIOR GR PISTON D43 MICROBAR FINISHED	PISTONE INF. D.43 NYLON GR. MICROBAR LAVORATO(FO	
R05000743.L	KIT-NYLON INFERIOR GR PISTON D43 FINISHED - 6Pcs	KIT-PISTONE INF. D.43 NYLON GR. LAVORATO - 6Pz	
05000744.1	SPIRAL MOVEMENT SCREW MICROBAR	CHIOCCIOLA VITE MOVIMENTO T.N. MICROBAR	
R05000744.1	KIT-SPIRAL MOVEMENT SCREW - 1Pcs	KIT-CHIOCCIOLA VITE MOVIMENTO T.N. - 1Pz	
05002144	EXPLUSION PALETTE PRONTOBAR	PALETTA ESPULSIONE PRONTOBAR	
R05002144	KIT-EXPLUSION PALETTE - 8Pcs	KIT-PALETTA ESPULSIONE - 8Pz	
05002160	SUP DISPENS PISTON UNIF MICROBAR-PRONTOBAR-TA	PISTONE EROG. SUP. UNIFICATO MICROBAR - PRONTOBA	
07300257	S/S SCREW FOR GROUP MOVEMENT PRONTOBAR	VITE MOVIMENTO GR. PRONTOBAR INOX Aisi430F	
07300259	GROUP EJECTION AXLE PRONTOBAR	ALBERO PALETTA ESPULSIONE GR. PRONTOBAR	
07300265	WASHER POM-C 21x14,5x2,1 PISTON SUPERIOR GROUP	RONDELLA POM-C 21x14,5x2,1 PISTONE SUP. GR.PRONTO	
R07300265	KIT-WASHER POM-C 21x14,5x2,1 PISTON SUPERIOR - 6P	KIT-RONDELLA POM-C 21x14,5x2,1 PISTONE SUP. GR.- 6Pz	
07300503	MICROBAR GROUP DRAIN LOWER PISTON SHAFT	ALBERO PISTONE INF.SCARICO MICROBAR	
07300505	MICROBAR DRAIN PISTON SHAFT BUSHING	BOCCOLA ALBERO PISTONE SCARICO	
07300512	INFERIOR SPRING PLATE GROUP MICROBAR	PIATTELLO PORTAMOLLA INFERIORE GR. MICROBAR	
07300513	SUPERIOR SPRING PLATE GROUP MICROBAR	PIATTELLO PORTAMOLLA SUPERIORE GR. MICROBAR	
07300542	RAPID FITTING M6 L GIR. D4	RACCORDO RAPIDO M6 L GIR. D4	
R07300542	QUICK COUPLING KIT M6 L GIR. D4 - 2PCS	KIT-RACCORDO RAPIDO M6 L GIR. D4 - 2Pz	
07300562	BUSHING FLANGE FOR GROUP SCREW MICROBAR 08	BOCCOLA FLANG. PER VITE GR. ERMICROBAR 08	
07300566	S/S PILLAR 430 GROUP MICROBAR 08	COLONNA INOX 304 GRUPPO MICROBAR 08	
07300616	MICROBAR FRAME PIN M4	PERNO CARENA M4 MICROBAR	
07300625	COPPER SPACER D.20 H=13.5 F.12.5 STOP INFERIOR GR	SPESSORE OT D.20 H=13.5 F.12.5STOP INF.GR.MICROBAR	
07300653	BRASS WASHER D.20x8.1x2	RONDELLA OT D.20x8.1x2	
08000015	S/S SEEGER RING TYPE RS 5 UNI7434	ANELLO SEEGER TIPO RS 5 INOX UNI7434	
08000047	S/S SEEGER INTERIORS J 10	SEEGER ESTERNI INOX A 10	
08000071	MODULAR AXIAL BEARING 19x10x6	CUSCINETTO ASSIALE COMPONIBILE 10x19x6	
08000078	MICROBAR GROUP DISCHARGE PISTON LONG SPRING	MOLLA LUNGA PISTONE SCARICO GRUPPO MICROBAR	

COD.	DESCRIPTION	DESCRIZIONE	VAL.
08000079	MICROBAR GROUP DISCHARGE PISTON SHORT SPRING	MOLLA CORTA PISTONE SCARICO GRUPPO MICROBAR	
08000083	GALV ELASTIC CLIP D.2 L.43 c70	COPIGLIA ELASTICA D.2 L.43 C70 ZINCATO	
08000084	S/S ELASTIC CLIP D.2 L.20 UNI1336 DIN49 ISO1234	COPIGLIA D.2 L.20 INOX 304 UNI1336 DIN49 ISO1234	
08000085	SPRING FOR GROUP EXPULSION GROUP TALENTO	MOLLA PALETTA ESPULSIONE GR.TALENTO	
11740002	CALIBRATED TEFLON PIPE 4/2,5 TRASPARENT (ROLLS O	TUBO TEFLON 4/2,5 CALIBRATO TRASPARENTE (ROTOLI C	
31000235	GROUP NUMBER ADHESIVE PVC PLATE	TARGHETTA PVC ADESIVO MATRICOLA GRUPPO MICROB	
40000003	S/S SCREW TSPTC UNI6109	VITE INOX M5x10 TSPTC UNI6109	
00000089	S/S CROSSHEAD CAP SCREW M4x12 DIN7985	VITE INOX M4x12 TC TCR DIN7985	
98040000000060	DISPENSING GROUP SET PRONTOBAR	ASSIEME GRUPPO EROGAZIONE PRONTOBAR	
98040000000064	FINISHED GROUP SUPPORT PRONTOBAR	SUPPORTO GRUPPO LAVORATO PRONTOBAR	
98160000000142	GR DISPENSING PROBE + HEAT ELEMENT SET PRONTB/	ASSIEME SONDA + RESISTENZA GR.EROGAZIONE PRONT	
98040000000066	MOBILE PARTS + FINISHED GROUP SET PRONTBAR	ASS. PARTI MOBILI + LAVOR. GRUPPO PRONTOBAR	

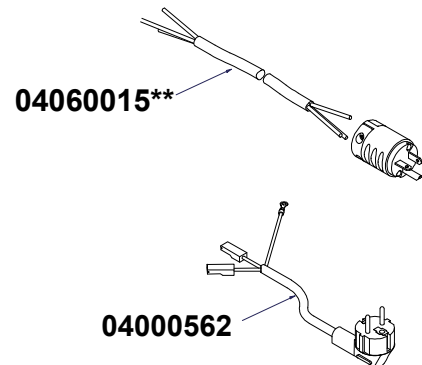


COD.	DESCRIPTION	DESCRIZIONE	VAL.
00000011	S/S KNURLED WASHER M4 UNI8842/A	RONDELLA INOX M4 ZIGRINATA UNI8842/A	
00000104	S/S CROSSHEAD COUNTERSUNK SCREW M4x10 DIN965	VITE INOX M4x10 TSP TCR DIN965	
00000134	GALV SCREW AQ M3x6 TC TC UNI 6107	VITE AQ M3x6 TC TC ZINC. UNI6107	
00000165	S/S SCREW M3x8 TCEI ISO 4762	VITE INOX M3x8 TCEI ISO 4762	
00000169	S/S SELF-TAPPING SCREW 2,9x13 TSP/TCR	VITE AUTOF INOX 2,9x13 TSP/TCR	
00000199	S/S NUT M4 MEDIUM UNI 5588	DADO INOX M4 MEDIO UNI 5588	
01000270	ANTI-VIBRATING AD 15X10 M4 MM	ANTIVIBRANTE AD 15x10 M4 MM	
02290025	GASKET O RING VITON GRINDER 193	GUARN. OR 3193 VITON x MACININO	
03001486	QUICK JUNCTION T 1/8 GIR. D4	SUPPORTO REGISTRO MACININO MICROBAR II / PRONTO	
03001623	CLUMP CRUSHER PRONTOBAR - MICROBAR	CLUMP CRUSHER PRONTOBAR - MICROBAR	
03001659	SUPERIOR GRINDER SUPPORT PRONTOBAR 2017	SUPPORTO SUPERIORE MACININO PRONTOBAR 2017	
03001661	INFERIOR GRINDER SUPPORT PRONTOBAR 2017	SUPPORTO INFERIORE MACININO PRONTOBAR 2017	
03001663	LEFT GRINDER REGISTER SUPPORT PRONTOBAR 2017	SUPPORTO REGISTRO SX MACININO PRONTOBAR 2017	
05000029	KNOB M4x20 HEAD D13x4	POMELLO M4x20 TESTA D.13x4	
05002113	ADESIVE FILM FOR COFFEE HOPPER PRONTOBAR	PELLICOLA ADESIVA PER CAMPANA PRONTOBAR	
05002114	COFFEE HOPPER COVER PRONTOBAR	COPERCHIO CAMPANA CAFFE' PRONTOBAR	
07300522	MICROBAR GRINDING ADJUSTMENT SCREW	VITE REGOLAZIONE MACINATURA MICROBAR	
08000038	BELLEVILLE WASHER 15x6.2x0.5x0.5	MOLLA A TAZZA 15x6,2x0,5x0,5	
08000081	MICROBAR LEFT GRINDER MOBILE CHUTE RECALL SPR	MOLLA RICHIAMO SCIVOLO MOBILE MACININO SX MICRO	
15000040	HOPPER LOCK MDX/L 5101.0020	CHIUSURA CAMPANA MDX/L 5101.0020	
15050011	HOPPER SAFETY LOCK 5101.0012	CHIUSURA SICUR.CAMPANA 5101.0022TR	
15800038	LOCK NUT MCF BURR	DADO BLOCCAGGIO MACINE MCF	
15800046	BURR PAIR D50 3 HOLES TITANIUM	COPIA MACINE D50 3 FORI TITANIO	
84005001	SERRATED SUPERIOR BURR HOLDER MICROBAR/PRON	PORTAMACINE SUPERIORE DENTATO MICROBAR / PRON	
85060006	INFERIOR BURR HOLDER FINISHED GRINTA	PORTAMACINE INF. LAVORATO	
98010000000118	COFFEE HOPPER SET PRONTOBAR	ASSIEME CAMPANA PRONTOBAR	
98140000000024	RIGHT GRINDER SET W/ TIT. BURRS PRONTOBAR TFT	ASS. MACININO DX PRONTOBAR TFT MACINE TITANIO	
98140000000026	LEFT GRINDER SET W/ TIT. BURRS PRONTOBAR TFT	ASS. MACININO SX PRONTOBAR TFT MACINE TITANIO	
98140000000031	RIGHT GRINDER CHUTE SET PRONTOBAR	ASS. SCIVOLO PER MACININO DX PRONTOBAR	
R98140000000031	KIT-RIGHT GRINDER CHUTE SET - 2Pcs	KIT-ASS. SCIVOLO PER MACININO DX - 2Pz	
98140000000033	LEFT GRINDER CHUTE SET PRONTOBAR	ASS. SCIVOLO PER MACININO SX PRONTOBAR	
R98140000000033	KIT-LEFT GRINDER CHUTE SET - 2Pcs	KIT-ASS. SCIVOLO PER MACININO SX - 2Pz	



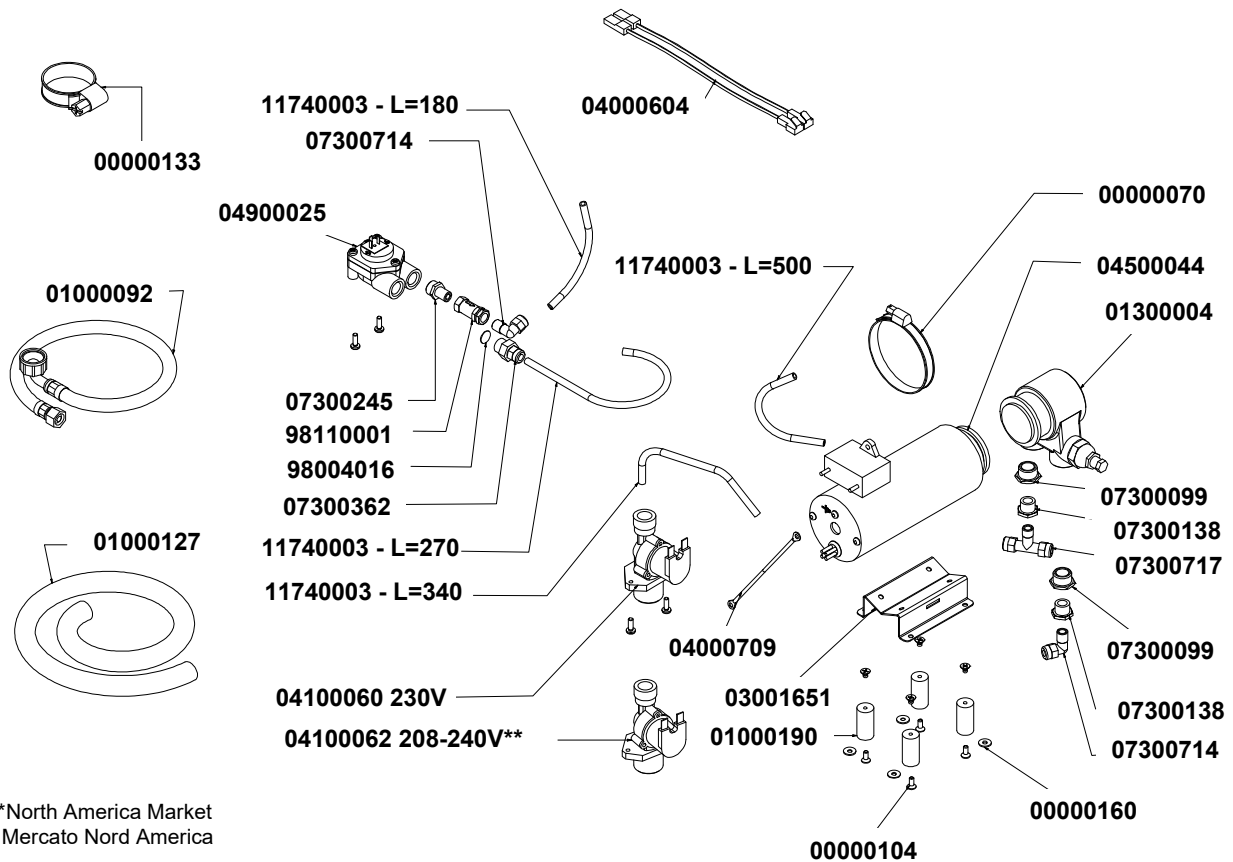
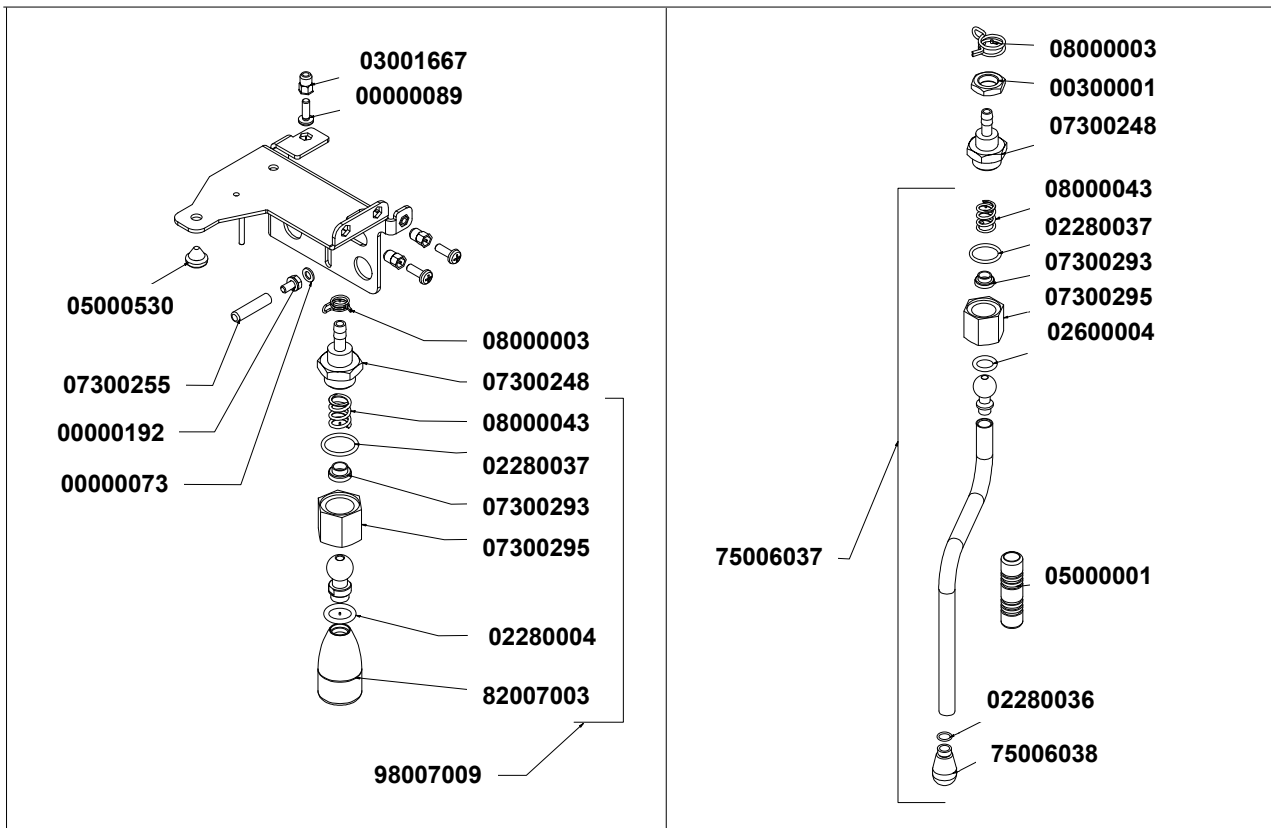
CODE	DESCRIPTION	DESCRIZIONE
04000704	CABLE CLAMP SWITCH	CAVO INTERRUTTORE MORSETTO
04000738	CABLE BOARD 10 WAYS	CAVETTO CONN. SCHEDA-TASTIERA 10 VIE
04000730	COMPLETE WIRING	CABLAGGIO COMPLETO

CODE	DESCRIPTION	DESCRIZIONE
04000706	LOW TEN. CABLES	CAVI BASSA TENSIONE
04000708	SAFETY CABLES	CAVI SICUREZZA
04000732	POWER WIRING DISPLAY TOUCH	CABLAGGIO ALIMENTAZIONE DISPLAY TOUCH



T.06

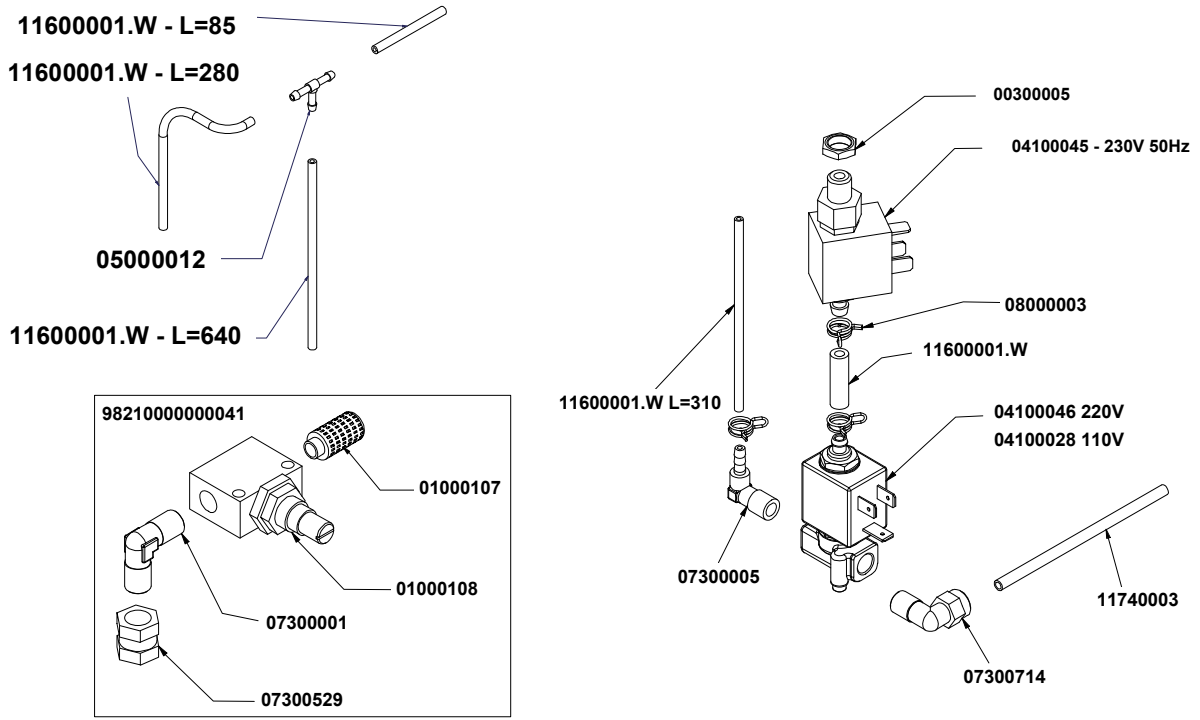
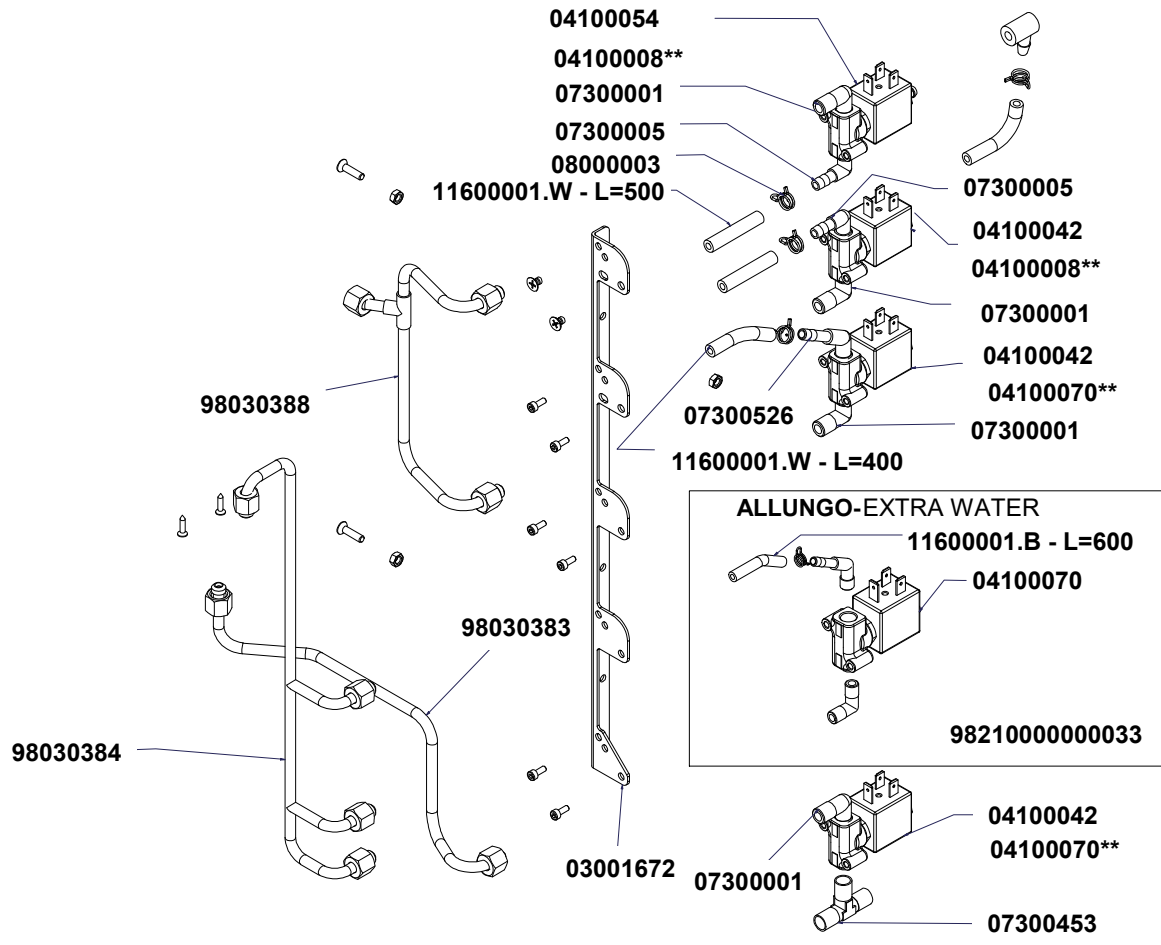
COD.	DESCRIPTION	DESCRIZIONE	VAL.
00000056	GALV HIGH NUT AQ M8	DADO AQ M8 ALTO ZINCATO	
00000060	GALV MEDIUM NUT AQ M3	DADO AQ M3 MEDIO ZINCATO	
00000119	SS CROSS HEAD COUNTERSUNK SCREW M4x6 ISO 7046	VITE INOX M4x6 TSPTCR ISO 7046	
00000164	S/S SCREW M3x16 TCEI ISO 4762	VITE INOX M3x16 TCEI ISO 4762	
03004006	BOARD SUPPORT SHEET	LAMIERA SUPPORTO CENTRALINA PRONTOBAR TFT	
04000562	PWER SUPPLY CABLE H05VV-F CE 3x1,5 PLUG SCHUKO	CAVO ALIM. H05VV-F CE 3x1,5 SPINA SCHUKO 90°	
04000704	SWITCH/TERMINAL CABLE PRONTOBAR	CAVO INTERUTTORE-MORSETTO PRONTOBAR	
04000706	LOW VOLTAGE WIRING PRONTOBAR	CABLAGGIO BASSA TENSIONE PRONTOBAR	
04000708	SECURITY WIRING PRONTOBAR	CABLAGGIO SICUREZZA PRONTOBAR	
04000730	COMPLETE WIRING	CABLAGGIO COMPLETO PRONTOBAR TFT	
04000732	POWER SUPPLY WIRING TOUCH DPLY PRONTOBAR TFT	CABLAGGIO ALIMENTAZIONE DISPLAY TOUCH PRONTOBAR	
04000738	CONN WIRE KEYPAD-CNTRL BOARD TALENTO 10WAY L=630	CAVETTO CONNES. SCHEDA TAST. -SCHEDA 10 VIE L=630	
04000740	POWER SUPPLY WIRING WIFI MODULE	CABLAGGIO ALIM. MODULO WiFi PRONTOBAR TFT	
04000742	CONN. CABLE WIFI-DISPLAY	CAVO COMUNICAZIONE WiFi - DISPLAY PRONTOBAR TFT	
04000858	TRASF. LED RETRO IN:100/240V OUT:12V CE/UL 15W RS-	TRASF. LED RETRO IN:100/240V OUT:12V CE/UL 15WRS-15	
R04000858	KIT-TRASF. REAR LED IN:100/240V OUT:12V CE/UL - 1Pcs	KIT-TRASF. LED RETRO IN:240V OUT:12V CE/UL 15W- 1Pz	
04060015	CABLE+PLUG AWG3x14 SJO UL/CSA 20A 250V NEMA 6-20	CAVO ALIM. AWG3x14 SJO 90°C UL/CSA 2mt SPINA USADR	
04200043	MICRODOOR/MASTER DRAWER/MICROBAR	MICRO PORTA/CASSETTO MASTER/ MICROBAR/CAFF. ITA	
04900652	TRANSFO 230V/18V 150VA 50/60Hz FUSE750mAT MICROE	TRASF. COMPL.MICROBAR 230V/18V 150VA 50/60HzCON F	
04900916	ELECTRONIC CNTRL BOARD PRONTOBAR TFT	CENTR. ELETT. PRONTOBAR TFT	
04901130	WIFI MODULE COMPLETE WITH ANTENNA	MODULO Wi-Fi + ANTENNA -> E-LIOS <-	
07300341	CENTRAL LOCK VIP S/S NICKEL PLATE L=35 ADD.29.01.9	PERNO BLOCC. CENTRAL. VIP INOXNICHELATO L=35AGG.	
07300342	NICKEL PLATED CONTROL UNIT SUPPORT PIN	PERNO SUPPORTO CENTRAL. VIP NICHELATO	
15050023	CAPACITOR 16mF 450V 40x70 UL FASTON M6,3 TANG M8	CONDENS. 16mF 450V 40x70 UL FASTON M6,3 CODOLOM8	
R15050023	KIT-CAPACITOR 16mF 450V 40x70 UL FASTON M6,3 TANG	KIT-CONDENS. 16mF 450V 40x70 UL FASTON M6,3 CODOL	
98160100000051	WIFI2020 MODULE PRONTOBAR TOUCH+LABEL	MODULO WIFI2020 PRONTOBAR TOUCH + ETICHETTA	



\*\*North America Market  
Mercato Nord America

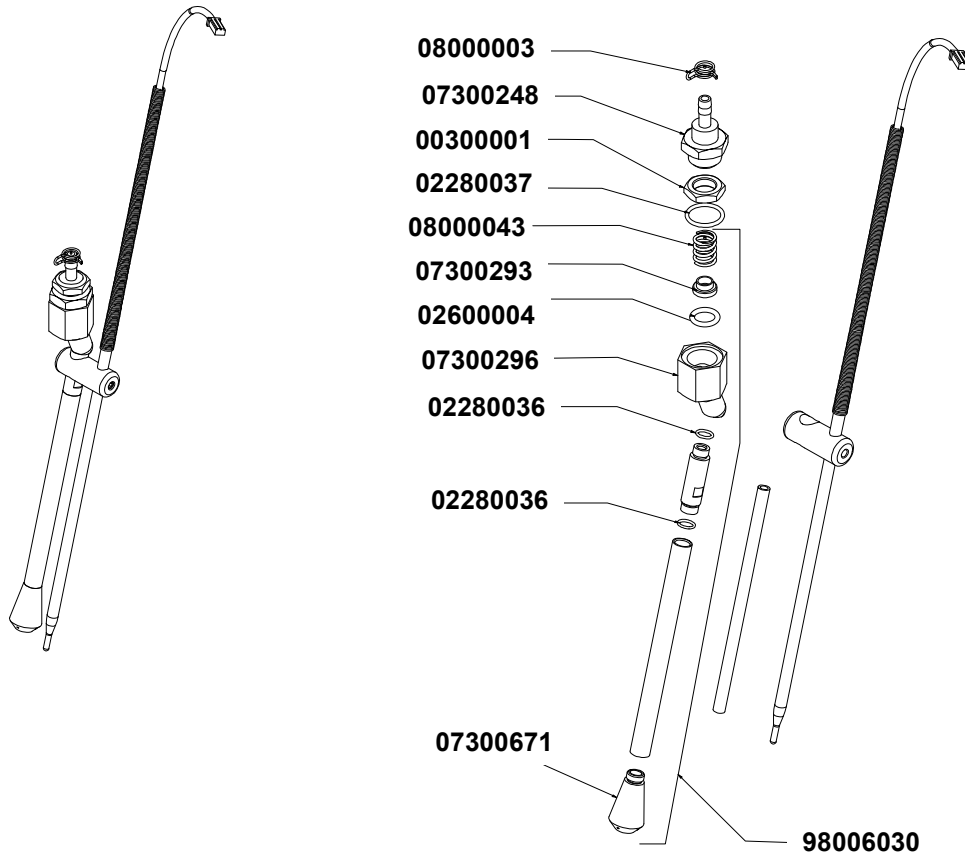
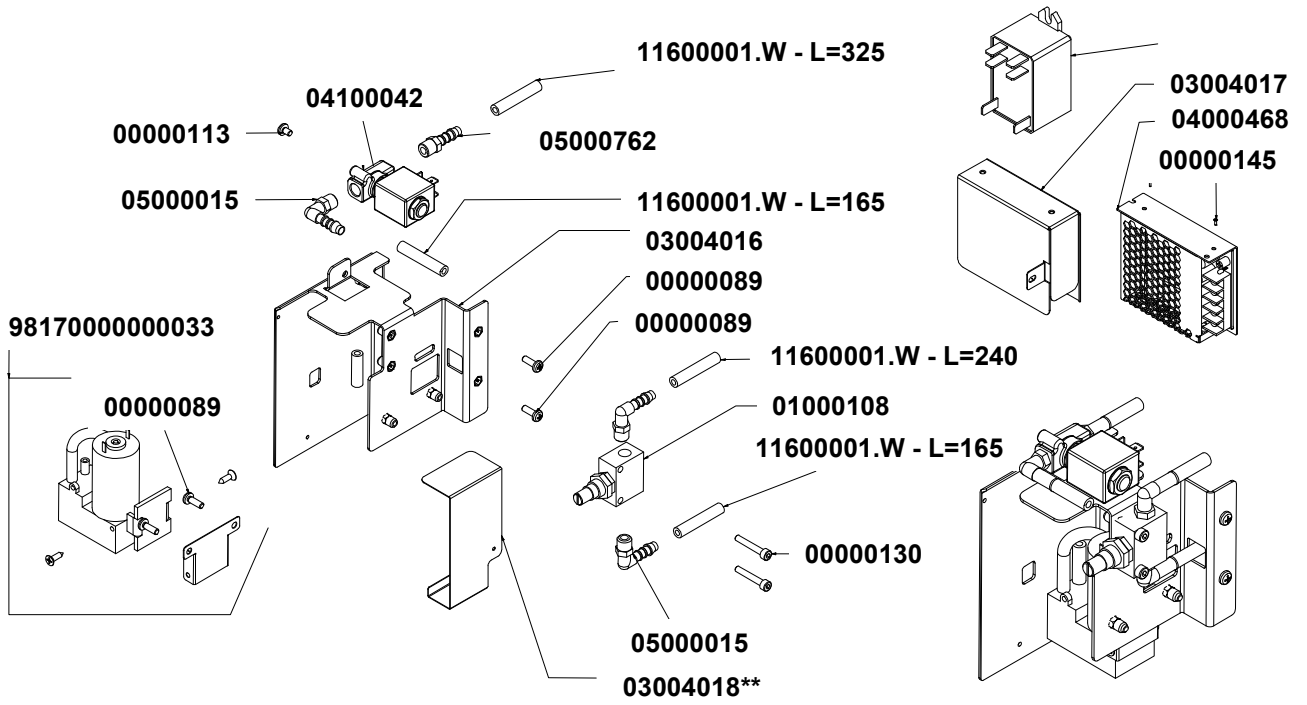
COD.	DESCRIPTION	DESCRIZIONE	VAL.
00000070	SGT CLIP 50/70 9 W4	FASCETTA SGT 50/70 9 W4	
00000073	S/S WASHER D.8x4x1 UNI6592	RONDELLA INOX 8x4x1 UNI6592	
00000089	S/S CROSSHEAD CAP SCREW M4x12 DIN7985	VITE INOX M4x12 TC TCR DIN7985	
00000104	S/S CROSSHEAD COUNTERSUNK SCREW M4x10 DIN965	VITE INOX M4x10 TSP TCR DIN965	
00000133	S/S CLIP WD12 16-25 C7 W2	FASCETTA INOX WD12 16-25 C7 W2	
00000160	S/S WASHER D4X12 UNI 6593	RONDELLA INOX D4x12x1 UNI 6593	
00000192	S/S SCREW M4x8 TE UNI 5739	VITE INOX M4x8 TE UNI 5739	
00300001	BRASS NUT 1/4 GAS D5 CH18	DADO OT 1/4 GAS SPESS.5 CH18 *AGG. 22.07.96	
01000092	3/8F-3/4F90D WATER CHARGE PIPE 1,5mt + FILTER	TUBO CARICO ACQUA 1,5 mt EPDM 3/8F OTT - 3/4F 9GHIEF	
R01000092	KIT-3/8F-3/4F90D WATER CHARGE PIPE 1,5mt+ FILTER-1F	KIT -TUBO CARICO ACQUA 1,5 MT EPDM 3/8F OTT3/4F 9 G	
01000127	DIRECT SLEEVE DISCHARGE TUBE D19 L=2m	TUBO SCARICO CON MANICOTTO DIRITTO D.19 L= 2 m	
01000190	VIBRATION DAMPER D15x30 M4 FF	ANTIVIBRANTE CD15x30 M4 FF * KB *	
01300004	VOLUMETRIC PUMP 50 lt/h OT-57	POMPANTE VOLUMETRICO 50 lt/h OT-57	
02280004	GASKET O RING 115 D17 EP 856 x SWIVEL STEAM PIPE	GUARN. OR 115 D.17 EP856 SNODO LANCIA	
R02280004	KIT-GASKET O RING 115 D17 EP 856 x STEAM PIPE - 55Pc	KIT-GUARN. OR 115 D.17 EP856 SNODO LANCIA - 55Pz	
02280036	O RING FOR STEAM WAND NOZZLE D6x1.2 EPDM70 500 F	GUARN. OR x BECCO LANCIA VAP. DI 6x1.2 EPDM70(CONF	
R02280036	KIT-O RING FOR STEAM WAND NOZZLE D6x1.2 EPDM - 65P	KIT-GUARN. OR x BECCO LANCIA VAP. D. 6x1.2 EPDM- 65P	
02280037	GASKET O RING JOINT LOCK 16x2 NBR70	GUARN. OR CHIUSURA SNODO 16x2 NBR70	
R02280037	KIT-GASKET O RING JOINT LOCK 16x2 NBR - 45Pcs	KIT-GUARN. OR CHIUSURA SNODO 16x2 NBR - 45Pz	
02600004	O RING 15,2x10,2x2,5 TEFLON x STEAM WAND SPHERE	GUARN. OR 15,2x10,2x2,5 TEFLONx SFERA LANCIAVAPOR	
R02600004	KIT-O RING 15,2x10,2x2,5 TEFLON x STEAM - 55Pcs	KIT-GUARN. OR 15,2x10,2x2,5 TEFLONx SFERA LANCIA- 55	
03001651	PUMP SUPPORT PLATE	SUPP. POMPA VOLUM.MOTORE BASSO PRONTOBAR	
03001667	STEAM WAND AND HOT WATER SUPPORT	SUPPORTO LANCIA VAPORE + ACQUA CALDA PRONTOBAR	
04000604	EXTRA INLET SOLENOID MICROBAR 04 ACQUASTOP	SUPPLEMENTO EV. ENTRATA ACQUASTOP	
04000709	GROUND CABLE L=150 2 EYELET D4,5 PUMP PRONTOBAR	CAVO TERRA L=150 2 OCCHIELLI D4,5 POMPA PRONTOBAR	
04100060	2WAY SOLENOID 3/4-JG 6 STRAIGHT+FILTR F.2,5 230V50	E.V. NC 2VIE 3/4-JG 6 DIRITTA REGOL+FILTR F.2,5230V 50/	
R04100060	KIT-2WAY SOLENOID 3/4-JG 6 STRAIGHT+FILTR F.2,5 - 1F	KIT-E.V. NC 2VIE 3/4-JG 6 DIRITTA REGOL+FILTR F.2, - 1Pz	
04100062	2WAY SOLENOID 3/4-JG6 STRAIGHT ULREGOL+FILTR F.2	E.V. NC 2VIE 3/4-JG6 DIRIT. ULREGOL+FILTR F.2,5208/240V	
04500044	COMPACT ENGINE 230V 50/60Hz 40W PRONTOBAR 2013	MOTORE COMPATTO PRONTOBAR 2013 230V 50/60Hz 40W	
04900025	BRASS FLOWMETER 1/4-1/4 GAS-ATT. HEAD 2,8x0,5 F 1,2	DOSATORE VOLUMETRICO OTT. 1/4-1/4 GAS-ATT. TEST.2,	
R04900025	KIT-BRASS FLOWMETER 1/4-1/4 GAS-ATT. HEAD 2,8x0,5 F	KIT -DOSATORE VOLUMETRICO OTT. 1/4-1/4 GAS -ATT. TE	
05000001	RUBBER PROTECTION FOR STEAMWAND D10	GOMMINO PROTEZIONE LANCIA D.10	
R05000001	KIT-RUBBER PROTECTION FOR STEAMWAND D10 - 10Pc	KIT-GOMMINO PROTEZIONE LANCIA D.10 - 10Pz	
05000530	GRINDER FOOT JAZZ D3/6 STEAB 6304 PVC BLACK T.V.	PIEDINO MACININO/JAZZ D.3/6 STEAB 6304 PVC NEROT.V.	
07300099	FITTING ADAPTER 3/8-1/4 ES. 20 ADD. 29.05.96	RIDUZIONE 3/8-1/4 ES.20 AGG. 29.05.96	
07300138	FITTING ADAPTER 1/4M-1/8F ES.17 AGG.29.05.96 OT-58	RIDUZIONE 1/4"M - 1/8"F ES.17 AGG. 29.05.96 OT-58	
07300245	FITTING 1/4M L=6.5 1/8M L=12	RACCORDO 1/4M L=6.5 1/8M L=12	
07300248	FITTING 3/8M RUBBER CLAMP FOR WAND	RACCORDO 3/8M-PORTAGOM. LANCIA	
07300255	LOCK PIN PRONTOBAR	PERNO SERRATURA PRONTOBAR	
07300293	ARTICULATED BUSHING AG.25.06.96 OT-57	BUSSOLA SNODO AG.25.06.96 OT-57	
R07300293	KIT-ARTICULATED BUSHING - 15Pcs	KIT-BUSSOLA SNODO - 15Pz	
07300295	NUT FITTING 3/8 H=21 BRASS-NICKEL ARTICULATED WA	DADO RACC. 3/8 H=21 LANCIA SNODATA OTTONENICHEL	
R07300295	KIT-NUT FITTING 3/8 H=21 BRASS-NICKEL ARTICULATED	KIT-DADO RACC. 3/8 H=21 LANCIA SNODATA - 6Pz	
07300362	STRAIGHT FITTING 1/4 M-FITTINGS.6 340	RACCORDO DIR. 1/4 M-CALZ.6 340	
07300714	L FITTING 1/8 M - FITTINGS.6	RACCORDO L 1/8 M - CALZAM.6	
R07300714	KIT-L FITTING 1/8 M - FITTINGS.6 - 6Pcs	KIT-RACCORDO L 1/8 M - CALZAM.6 - 6Pz	
07300717	T FITTING FITTINGS.6 - 1/8 M - FITTINGS.6	RACCORDO T CALZAM.6 - 1/8 M - CALZAM.6	
08000003	HOSE CLAMP D9,1	FASCETTA STRINGITUBO D9.1	
08000043	SPRING FOR ARTICULATED WAND D.1.6 D.11.9x16.2 4CO	MOLLA PER LANCIA SNODATA FILO D.1.6 D.11.9x16.2 4SPI	
R08000043	KIT-SPRING FOR ARTICULATED WAND D.1.6 D.11.9x16.2	KIT-MOLLA PER LANCIA SNODATA FILO D.1.6 D.11.9x16.- 1	

COD.	DESCRIPTION	DESCRIZIONE	VAL.
11740003	CALIBRATED TEFLON PIPE 6/4	TUBO TEFLON NSF 6/4 CALIBRATO 1 matassa = 50mt	
75006037	S/S ARTICULATED STEAMWAND KIT W/ 1,5mm NOZZLE 9	KIT LANCIA VAPORE SNODATA INOX INCL. 90 CON BECCO	
75006038	STEAM NOOZLE M8,65x0,75 F. 1,5 ROUNDED	BECCO VAPORE M8,65x0,75 F. 1,5 BOMBATO	
82007003	HOTWATER DIFFUSER D23,5 F1/8 WITH PLASTIC AERAT	ROMPIGETTO ACQUA CALDA D.23,5 F 1/8" CON AERATOR	
00000089	S/S CROSSHEAD CAP SCREW M4x12 DIN7985	VITE INOX M4x12 TC TCR DIN7985	
98004016	S/S FILTER D12	FILTRO INOX DIAM. 12	
R98004016	KIT-S/S FILTER D12 - 25Pcs	KIT-FILTRO INOX DIAM. 12 - 25Pz	
98007009	S/S HOTWATER WAND KIT L70 W/ DIFFUSER	KIT LANCIA ACQUA C. INOX L=70 COMP. DI ROMPIGETTO	
R98007009	KIT-S/S HOTWATER WAND KIT L70 W/ DIFFUSER - 1Pcs	KIT-KIT LANCIA ACQUA C. INOX L=70 COMP. DI ROMPIGE-	
98110001	RETURN VALVE 1/8 F-FOT-58	VALVOLA RITEGNO COMPL. 1/8 F-F OT-58	
R98110001	KIT-RETURN VALVE 1/8 F-F - 3Pcs	KIT-VALVOLA RITEGNO COMPL. 1/8 F-F - 3Pz	



\*\*North America Market  
Mercato Nord America

COD.	DESCRIPTION	DESCRIZIONE	VAL.
00300005	BRASS NUT 1/8 GAS D4 ADD 22.07.96 CH13	DADO OT 1/8 GAS AGG.22.07.96 SPESS.4 CH13	
01000107	VALVE SILENCER 1/8 491	SILENZIATORE 1/8 491	
01000108	TAP MRF 1/8 FF 604	RUBINETTO MRF 1/8 F-F 604	
03001672	SOLENOID VALVE SUPPORT PANEL - PRONTOBAR	LAMIERA SUPPORTO EV. PRONTOBAR	
04100008	3WAY SOLENOID 1/4-1/4 1/8 240V50/60hz F3 UL TH2xM5	E.V. NC 3VIE 1/4-1/4 SCAR. 1/8 220V 50Hz-240V 60HzRUBY	
04100028	3WAY SOLENOID 1/8-1/8 DIS 1/8208-240V60Hz F1.3 UL TH	E.V. NC 3VIE 1/8-1/8 SCAR. 1/8208-240V 60Hz RUBYF1.3 UL	
04100042	2WAY SOLENOID 1/8-1/8 220-230V50/60Hz F2 CE TH1xM4	E.V. NC 2VIE 1/8-1/8 220-230V 50/60Hz VITON F2 CEPIEDIN	
04100045	2WAY SOLENOID 1/8 M HOSE SUPPORT 208/240V 50/60H	E.V. NO 2VIE 1/8M-PORTAGOMMA 208/240V 50/60HzVITON	
04100046	3WAY SOLENOID 1/8 1/8 M HOSE SUPPORT 230V 50/60Hz	E.V. NC 3VIE 1/8-1/8 PORTAG. 230V 50/60Hz VITONF1.5/1.2	
04100054	3WAY SOLENOID 1/8-1/8 HOSE CLAMP 220-230V50/60Hz \	E.V. NC 3VIE 1/8-1/8 PORTAG. 220-230V 50/60HzVITON F2 C	
04100070	2WAY SOLENOID 1/8-1/8 208-240V 50/60Hz VITON F1.5 UL	E.V. NC 2VIE 1/8-1/8 208-240V 50/60Hz VITON F1.5ULPIEDIN	
05000012	TUBE FASTENING TS 6	RACCORDO PORTATUBO TS 6	
07300001	L FITTING 1/8 M-M 459	RACCORDO L 1/8 M-M(dimens. L 24 mm)	
07300005	ANGULAR RUBBER CLAMP 1/8x7 F1 4.8 ADD 18.06.96	PORTAGOMMA ANG. 1/8x7 F1 4.8 AGG. 18.06.96	
07300453	T FITTING 1/8 M-M-M	RACCORDO T 1/8 M-M-M	
07300526	HOSE FITTING 1/8M 120 488/B 6	RACCORDO PORTAGOMMA 1/8M 120 488/B 6	
07300529	THREADED SLEEVE F-F 1/8	MANICOTTO FILETTATO F-F 1/8	
07300714	L FITTING 1/8 M - FITTINGS.6	RACCORDO L 1/8 M - CALZAM.6	
08000003	HOSE CLAMP D9,1	FASCETTA STRINGITUBO D9.1	
11600001.B	BLUE SILICONE PIPE 4x7,5 60Sh (1mt=41gr) PLATINICO SE	TUBO SILICONE BLU 4x7,5 60Sh (1mt=41gr) PLATINICOSEM	
11600001.W	WHITE SILICONE PIPE 4x7,5 60Sh(1mt=41gr) PLATINICO S	TUBO SILICONE BIANCO4x7,5 60Sh(1mt=41gr) PLATINICO S	
11740003	CALIBRATED TEFLON PIPE 6/4	TUBO TEFLON NSF 6/4 CALIBRATO1 matassa = 50mt	
98030383	INFERIOR STEAM BOILER TUBE CSA	TUBO INF. CALDAIA VAPORE PRONTOBAR 2017 CSA - TFT	
98030384	SUPERIOR HOT WATER BOILER TUBE PRONTOBAR	TUBO SUP. CALDAIA ACQUA CALDA PRONTOBAR	
98030388	SUPERIOR STEAM BOILER TUBE	TUBO SUP. CALDAIA VAPORE PRONTOBAR TFT	
98210000000033	PRONTOBAR2013-2017-TFT EXENSION SOLENOID SET	ASSIEME E.V. ALLUNGO PRONTOBAR 2013 - 2017 - TFT	
98210000000041	AIR TAP SET PRONTOBAR 2017 - TFT	ASS. RUBINETTO ARIA PRONTOBAR 2017 - TFT	



CODE	DESCRIPTION	DESCRIZIONE
98160000000149	TRANS.+WIRING EASY CREAM	TRASF.+CABLAGGIO EASY CREAM

\*\*North America Market  
Mercato Nord America

COD.	DESCRIPTION	DESCRIZIONE	VAL.
00000089	S/S CROSSHEAD CAP SCREW M4x12 DIN7985	VITE INOX M4x12 TC TCR DIN7985	
00000113	S/S CROS SHEAD CAP SCREW M4x6 7985	VITE INOX M4x6 TC TCR 7985	
00000130	GALV SLT COUNTERSUNK SCREW M3X30	VITE INOX M4x25 TCEI UNI 5931	
00000145	S/S SCREW M3x8 TSPEI UNI 5933	VITE INOX M3x8 TSPEI UNI 5933	
00300001	BRASS NUT 1/4 GAS D5 CH18	DADO OT 1/4 GAS SPESS.5 CH18 *AGG. 22.07.96	
01000108	TAP MRF 1/8 FF 604	RUBINETTO MRF 1/8 F-F 604	
02280036	O RING FOR STEAM WAND NOZZLE D6x1.2 EPDM70 500	GUARN. OR x BECCO LANCIA VAP. DI 6x1.2 EPDM70(CONF	
R02280036	KIT-O RING FOR STEAM WAND NOZZLE D6x1.2 EPDM - 6	KIT-GUARN. OR x BECCO LANCIA VAP. D. 6x1.2 EPDM- 65P	
02280037	GASKET O RING JOINT LOCK 16x2 NBR70	GUARN. OR CHIUSURA SNODO 16x2 NBR70	
R02280037	KIT-GASKET O RING JOINT LOCK 16x2 NBR - 45Pcs	KIT-GUARN. OR CHIUSURA SNODO 16x2 NBR - 45Pz	
02600004	O RING 15,2x10,2x2,5 TEFLON x STEAM WAND SPHERE	GUARN. OR 15,2x10,2x2,5 TEFLONx SFERA LANCIAPAPOR	
R02600004	KIT-O RING 15,2x10,2x2,5 TEFLON x STEAM - 55Pcs	KIT-GUARN. OR 15,2x10,2x2,5 TEFLONx SFERA LANCIA- 55	
03004016	COMPRESSOR SUPPORT SHEET	LAMIERA SUPPORTO COMPRESSORE PRONTOBAR TFT	
03004017	EASY CREAM TRANSFORMER PROTECTION SHEET	LAMIERA PROTEZIONE TRASFORM. EASY CREAM PRONTO	
03004018	PROTECTION SHEET SOL. VALVE EASY CREAM CSA	LAMIERA PROTEZIONE E.V. EASY CREAM PRONTOBAR TF	
04000468	TRANSFORMER 24VDC 50W OPTIONAL AURELIA18 LRS 5	TRASFORMATORE 24V 50W OPTIONALS AURELIA18LRS-5	
R04000468	KIT-TRANSFORMER 24VDC 50W Opt. - 1Pcs	KIT-TRASFORMATORE 24V 50W-1 PZ	
04100042	2WAY SOLENOID 1/8-1/8 220-230V50/60Hz F2 CE TH1xM4	E.V. NC 2VIE 1/8-1/8 220-230V 50/60Hz VITON F2 CEPIEDIN	
R04100042	KIT-2WAY SOLENOID 1/8-1/8 220-230V50/60Hz F2 CE - 1Pc	KIT-E.V. NC 2VIE 1/8-1/8 220-230V 50/60Hz VITON F2- 1Pz	
04200007	POWER RELAY 30A 230V BIPOLAR	RELE' DI POTENZA 30A 230V BIPOLARE	
R04200007	KIT-POWER RELAY 30A 230V BIPOLAR - 1Pcs	KIT-RELE' DI POTENZA 30A 230V BIPOLARE - 1Pz	
05000015	TUBE FASTENING WES 6R 1/8	RACCORDO PORTATUBO WES 6R 1/8	
05000762	MALE STRAIGHT TUBE HOLDER JUNCTION GES 6 1/8	RACCORDO PORTATUBO GES 6 1/8 MASCHIO DIRITTO	
R05000762	KIT-MALE STRAIGHT TUBE HOLDER JUNCTION GES 6 1/8	KIT-RACCORDO PORTATUBO GES 6 1/8 MASCHIO DIRITTO	
07300248	FITTING 3/8M RUBBER CLAMP FOR WAND	RACCORDO 3/8M-PORTAGOM. LANCIA	
07300293	ARTICULATED BUSHING AG.25.06.96 OT-57	BUSSOLA SNODO AG.25.06.96 OT-57	
R07300293	KIT-ARTICULATED BUSHING - 15Pcs	KIT-BUSSOLA SNODO - 15Pz	
07300296	NUT FITTING 3/8 H=21 S/S ARTICULATED WAND	DADO RACC. 3/8 H=21 LANCIA SNODATA INOX	
07300671	EASYCREAM NOZZLE 4HOLES TALENTO - AURELIA II	BECCO EASYCREAM 4 FORI TALENTO / AURELIA II	
08000003	HOSE CLAMP D9,1	FASCETTA STRINGITUBO D9.1	
08000043	SPRING FOR ARTICULATED WAND D.1.6 D.11.9x16.2 4CO	MOLLA PER LANCIA SNODATA FILO D.1.6 D.11.9x16.2 4SPI	
R08000043	KIT-SPRING FOR ARTICULATED WAND D.1.6 D.11.9x16.2	KIT-MOLLA PER LANCIA SNODATA FILO D.1.6 D.11.9x16.- 1	
11600001.W	WHITE SILICONE PIPE 4x7,5 60Sh(1mt=41gr) PLATINICO S	TUBO SILICONE BIANCO4x7,5 60Sh(1mt=41gr) PLATINICO S	
00000145	S/S SCREW M3x8 TSPEI UNI 5933	VITE INOX M3x8 TSPEI UNI 5933	
00000089	S/S CROSSHEAD CAP SCREW M4x12 DIN7985	VITE INOX M4x12 TC TCR DIN7985	
98006030	STEAM WAND EASY CREAM	LANCIA VAPORE "EASYCREAM" INCLINATA PRONTOBAR T	
9816000000149	ASS. TRAF + WIRING WITH EASY CREAM	ASS. TRAF+CABLAGGIO PRONTOBAR TFT CON EASY CRE	
98170000000033	MICROCOMPRESSOR + SUPPORT SET TALENTO	ASS. SUPPORTO + MICROCOMPRESSORE TALENTO	

	KCON0001	Manometro controllo pressione pompa
		Pressure gauge for pump pressure control
		Manometro para controlar la presion de la bomba
		Manometre pour le controle de la pression de la pompe
		Manometer fur Pumpendruckregelung
	98260000000130	Kit manutenzione programmata 12 mesi
		12 month scheduled maintenance kit
		Kit de mantenimiento programado de 12 meses
		Kit d'entretien programme de 12 mois
		12-monatiges Wartungskit
	12100004	Grasso silicone
		Silicone grease
		Grasa de silicona
		Graisse silicone
		Silikonfett
	01000055	Riduttore di pressione
		Pressure reducer
		Reductor de presion
		Reducteur de pression
		Druckminderer
	04900763	Programmatore centralina (solo per Windows 10)
		Control unit programmer (Windows 10 only)
		Unidad de control programador (solo para Windows 10)
		Progr. de l'unite de controle (uniq. pour Windows 10)
		Steuergerat-Programmierer (nur fur Windows 10)
	13000023	Sigillante per ABS - LOXEAL
		Sealant for ABS - LOXEAL
		Sellador para ABS - LOXEAL
		Scellant pour ABS - LOXEAL
		Dichtmittel fur ABS - LOXEAL

COD.	DESCRIPTION	DESCRIZIONE	VAL.
01000055	PRESSURE REDUCTION VALVE 3/8 4 BAR	RIDUTT. DI PRESS. FF 3/8 4BAR	
04900763	BOARD PROGRAMMER MICROBAR-PRONTOBAR-TALEN	PROGRAMMATORE SCHEDA MICROBAR-PRONTOBAR-TAI	
12100004	SILICONE9 GREASE 100GR TUBE	GRASSO SILICONE9 TUBETTO 100gr	
13000023	ABS SEALER - LOXEAL INSTANT 74 20g BLACK	SIGILLANTE PER ABS - LOXEAL INSTANT 74 20g NERO	
98260000000130	ANNUAL MAINTENANCE KIT PRONTOBAR TFT	KIT MANUTENZIONE ANNUALE PRONTOBAR TFT	
KCON0001	PRESSURE PUMP GAUGE FOR SUPERAUTOMATIC	MANOMETRO CONTROLLO PRESSIONE POMPASUPERAU	

[www.nuovasimonelli.it](http://www.nuovasimonelli.it)

---

**Simonelli Group**

Via E. Betti, 1  
62020 Belforte del Chienti  
Macerata - Italy  
T +39 07339501  
[info@simonelligroup.it](mailto:info@simonelligroup.it)  
[www.nuovasimonelli.it](http://www.nuovasimonelli.it)

**Nuova Distribution Usa**

6940 Salashan Pkwy, Bldg, A  
Ferndale, WA 98248  
T +1 3603662226  
[info@simonelliusa.com](mailto:info@simonelliusa.com)  
[www.simonelliusa.com](http://www.simonelliusa.com)

**Nuova Simonelli Asia Pacific**

61 Kaki Bukit Ave 1  
#02-24 Shun Li Industrial Park  
Singapore 417943  
T +65 68410985  
[www.nuovasimonelliasiapacific.com](http://www.nuovasimonelliasiapacific.com)

**Nuova Distribution France**

Hexapole - Actipole - Bat 5  
Rue Maurice Herzog  
73420 Viviers Du Lac  
T +33 (0) 967894852  
[info@nuovadistribution.fr](mailto:info@nuovadistribution.fr)