

PRODOTTI / RICAMBI
PRODUCTS / SPARE PARTS
PRODUITS / PIÈCES DÉTACHÉES
PRODUKTE / ERSATZTEILE
PRODUCTOS / REPUESTOS

PROGRAM

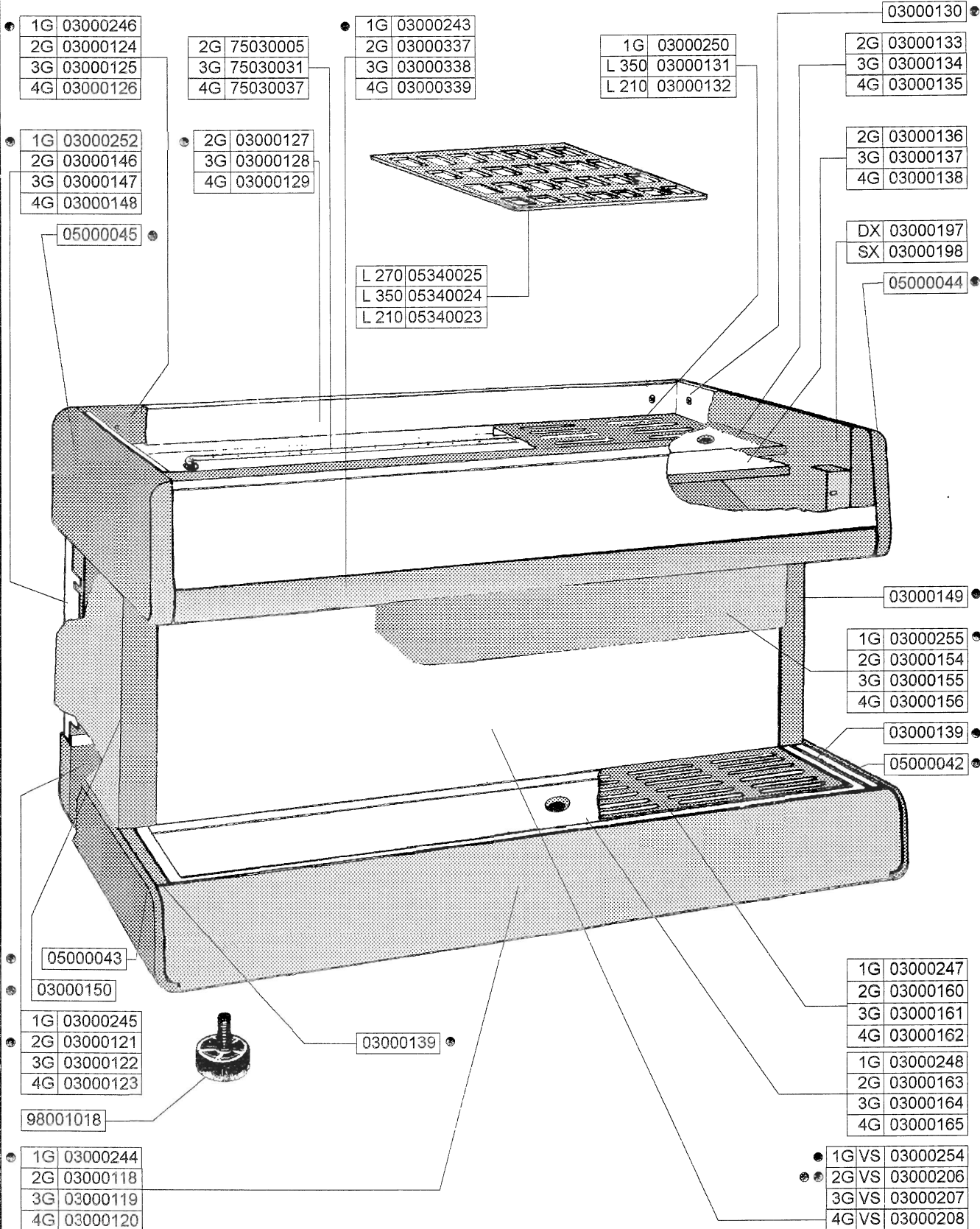
2



CARENA PROGRAM GRUPPI 1 - 2 - 3 - 4

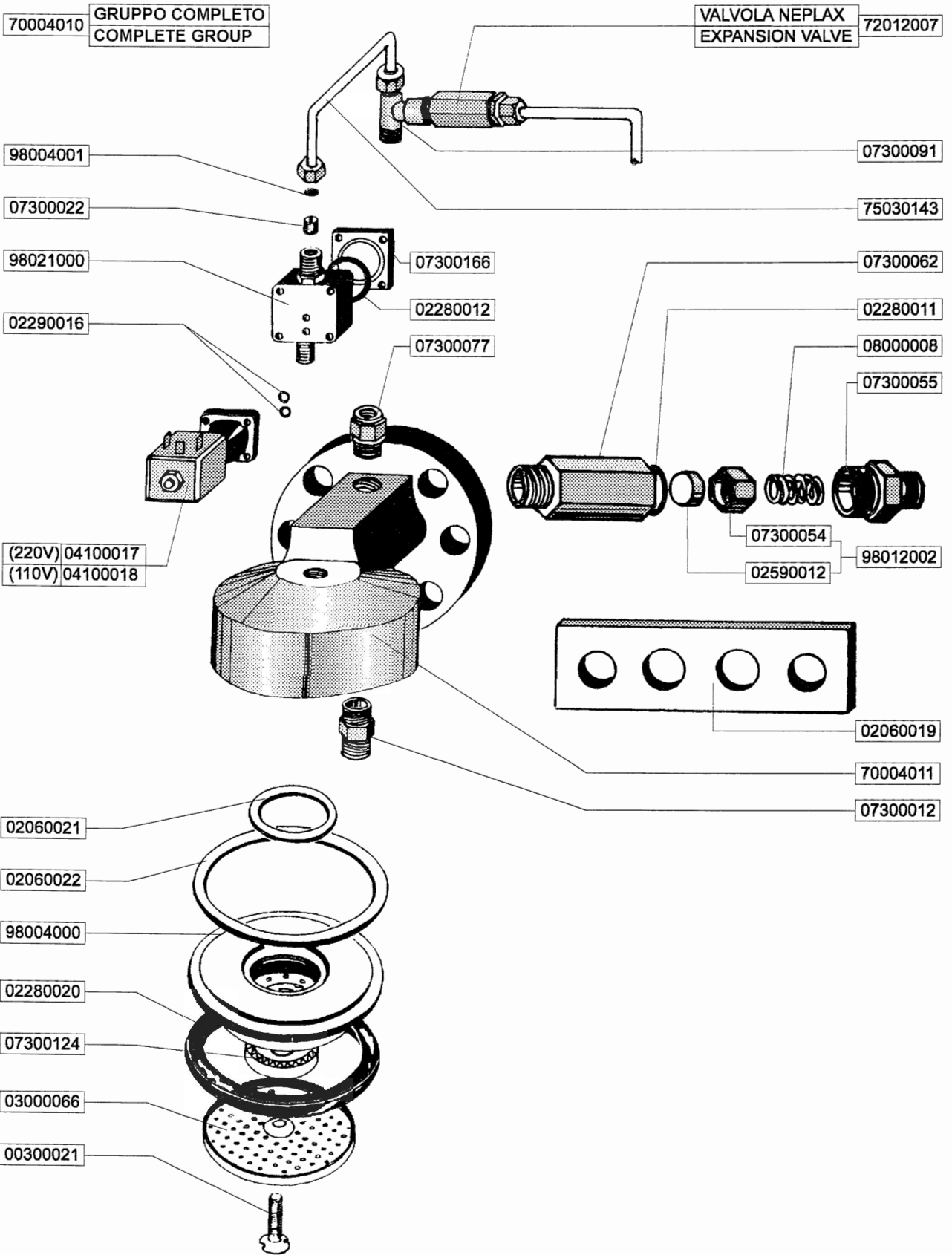
CABINET PROGRAM GROUP 1 - 2 - 3 - 4

PROGRAM



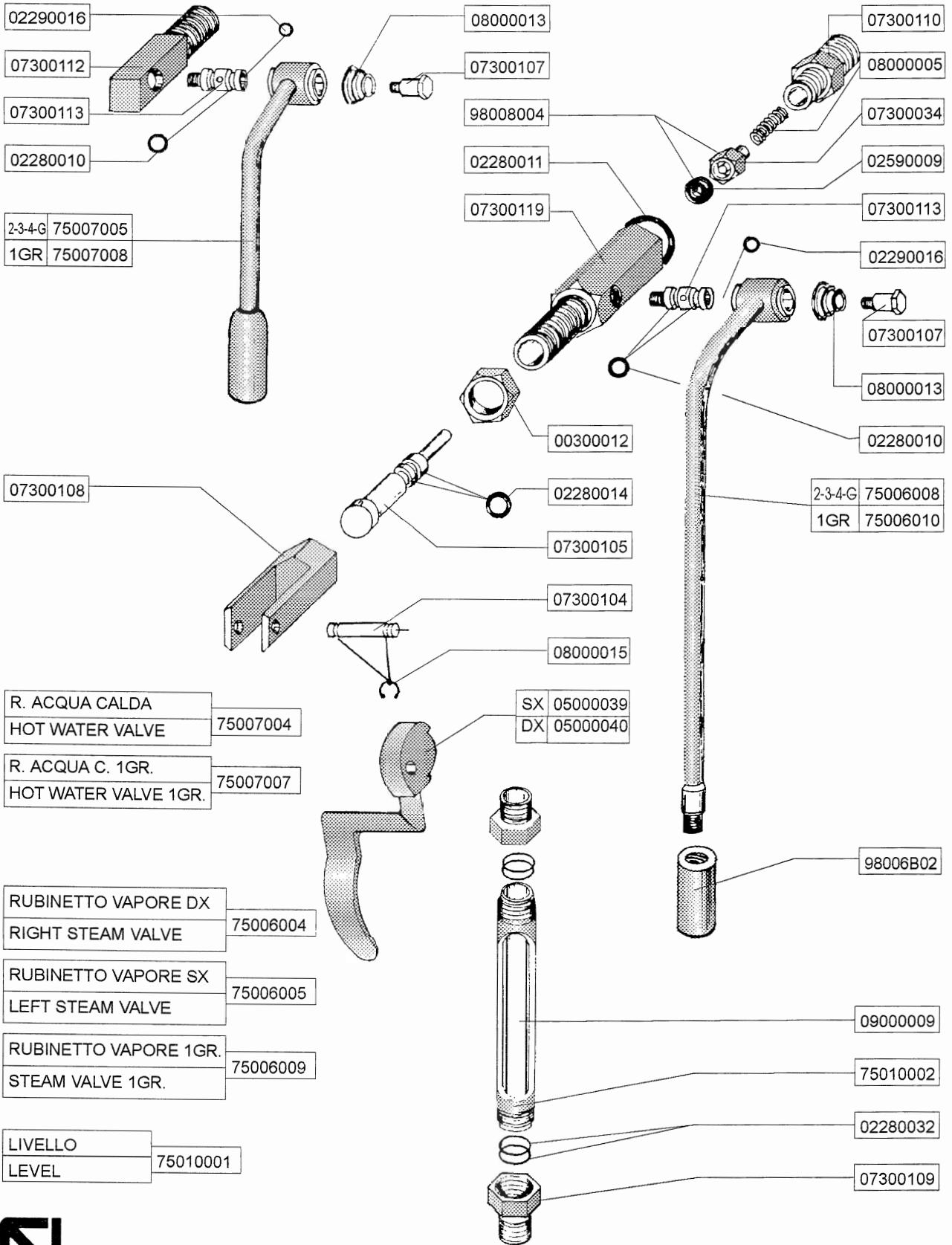
- SPECIFICARE COLORE
SPECIFY COLOR
- SPECIFICARE MOD. GAS
SPECIFY MOD. GAS

**GRUPPO EROGATORE COMPLETO
COMPLETE POURING UNIT**

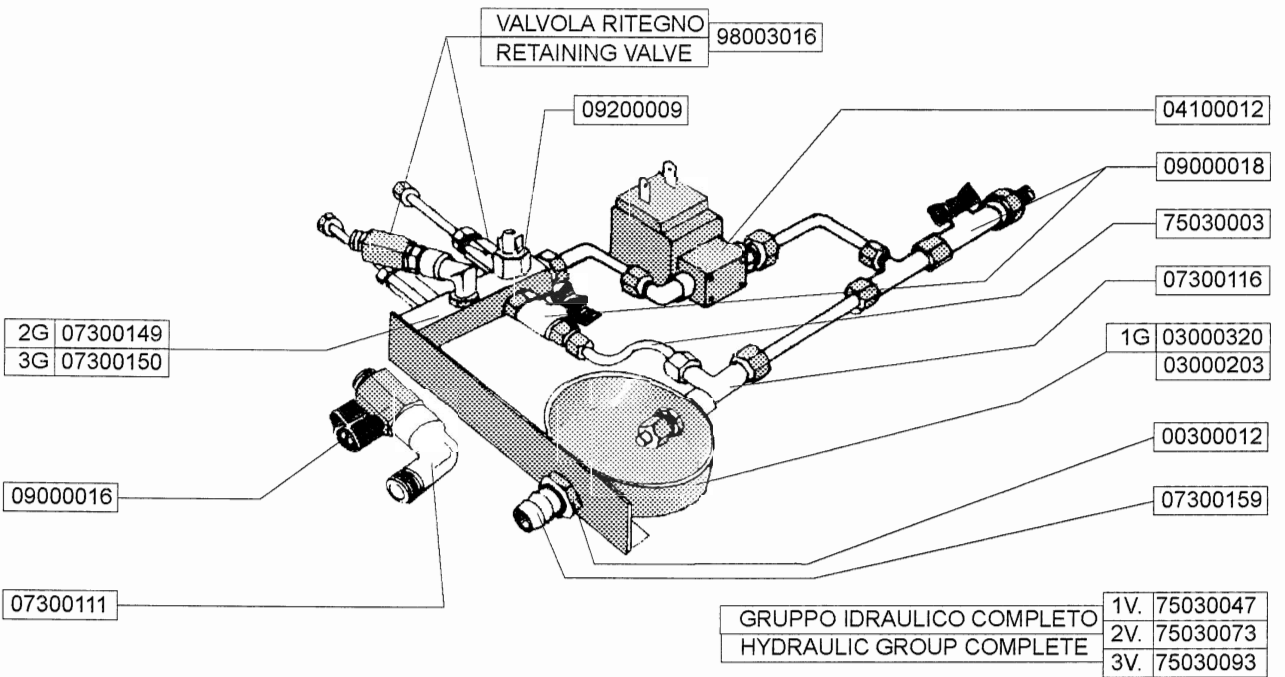
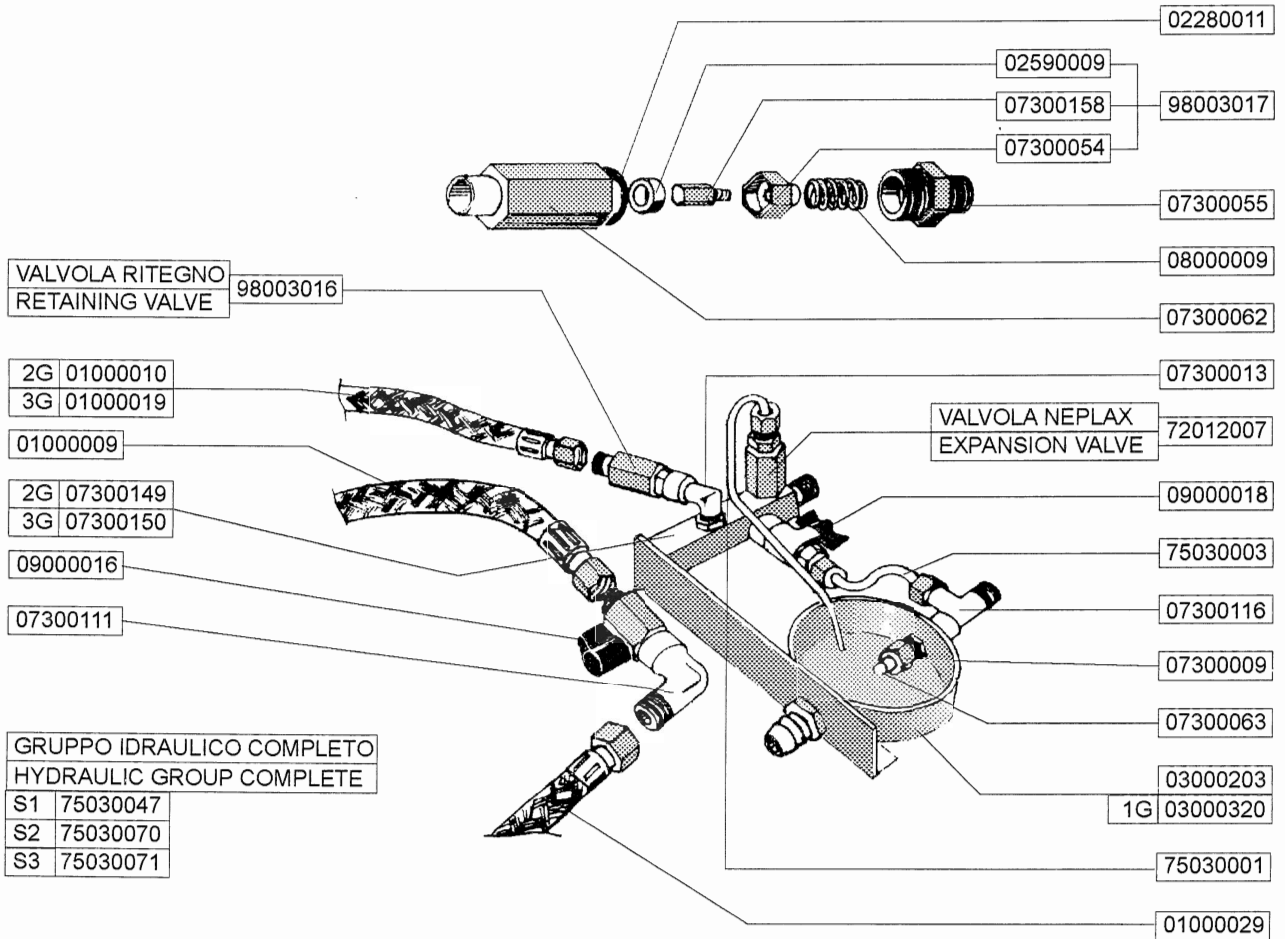


RUBINETTO VAPORE, RUBINETTO ACQUA CALDA, LIVELLO CALDAIA

STEAM VALVE, HOT WATER VALVE, WATER LEVEL

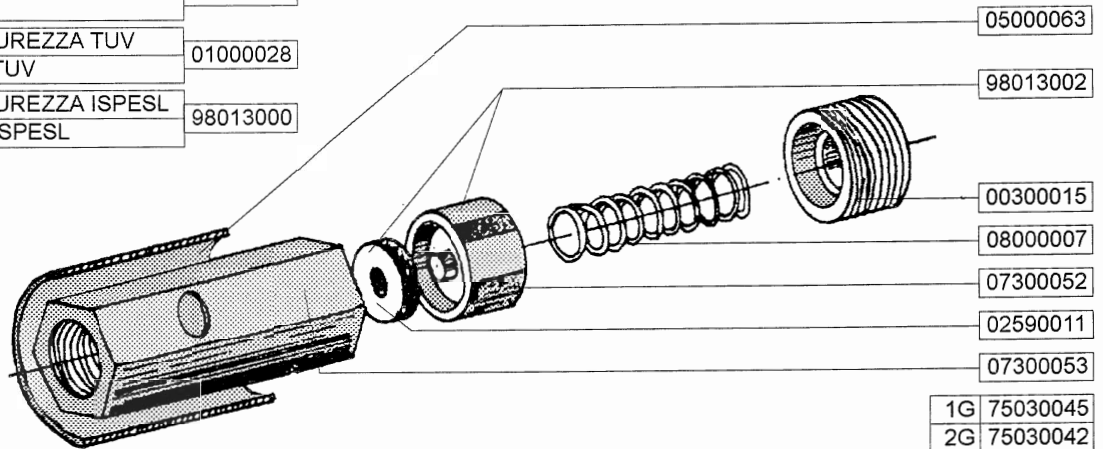


GRUPPO IDRAULICO HYDRAULIC GROUP

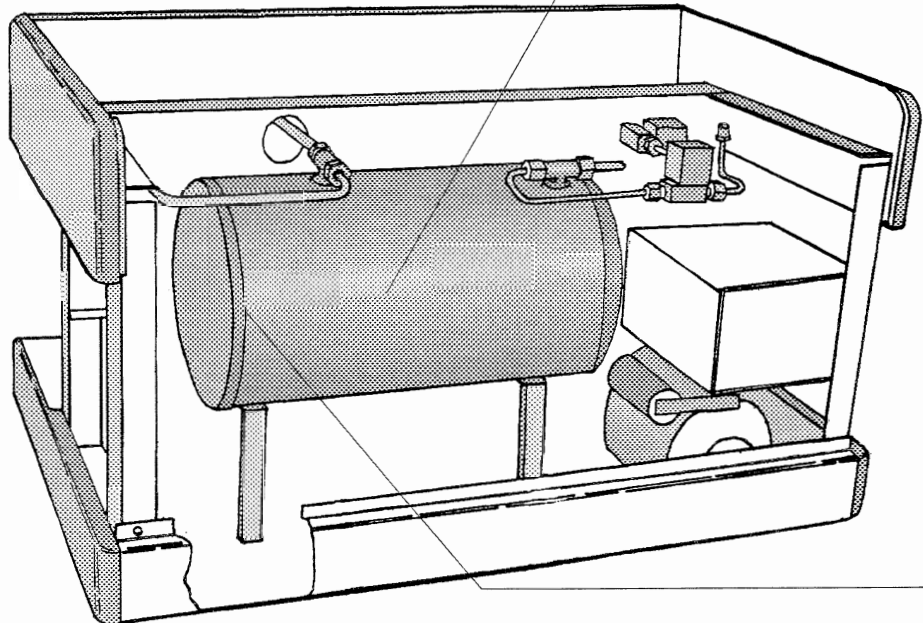


PARTI IDRAULICHE HYDRAULIC PARTS

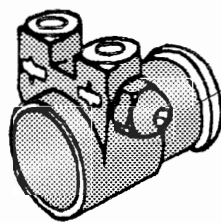
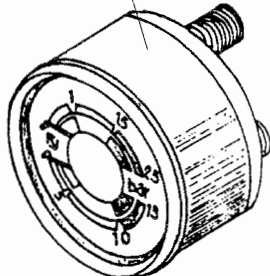
- | | |
|--|----------|
| VALVOLA DI SICUREZZA
SAFETY VALVE | 98013001 |
| VALVOLA DI SICUREZZA TUV
SAFETY VALVE TUV | 01000028 |
| VALVOLA DI SICUREZZA ISPESL
SAFETY VALVE ISPESL | 98013000 |



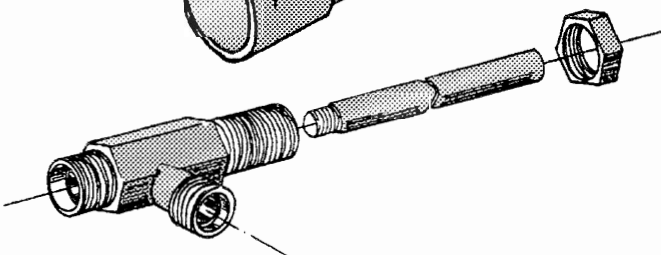
- | |
|-------------|
| 05000063 |
| 98013002 |
| 00300015 |
| 08000007 |
| 07300052 |
| 02590011 |
| 07300053 |
| 1G 75030045 |
| 2G 75030042 |
| 3G 75030065 |
| 4G 75030066 |



09100003



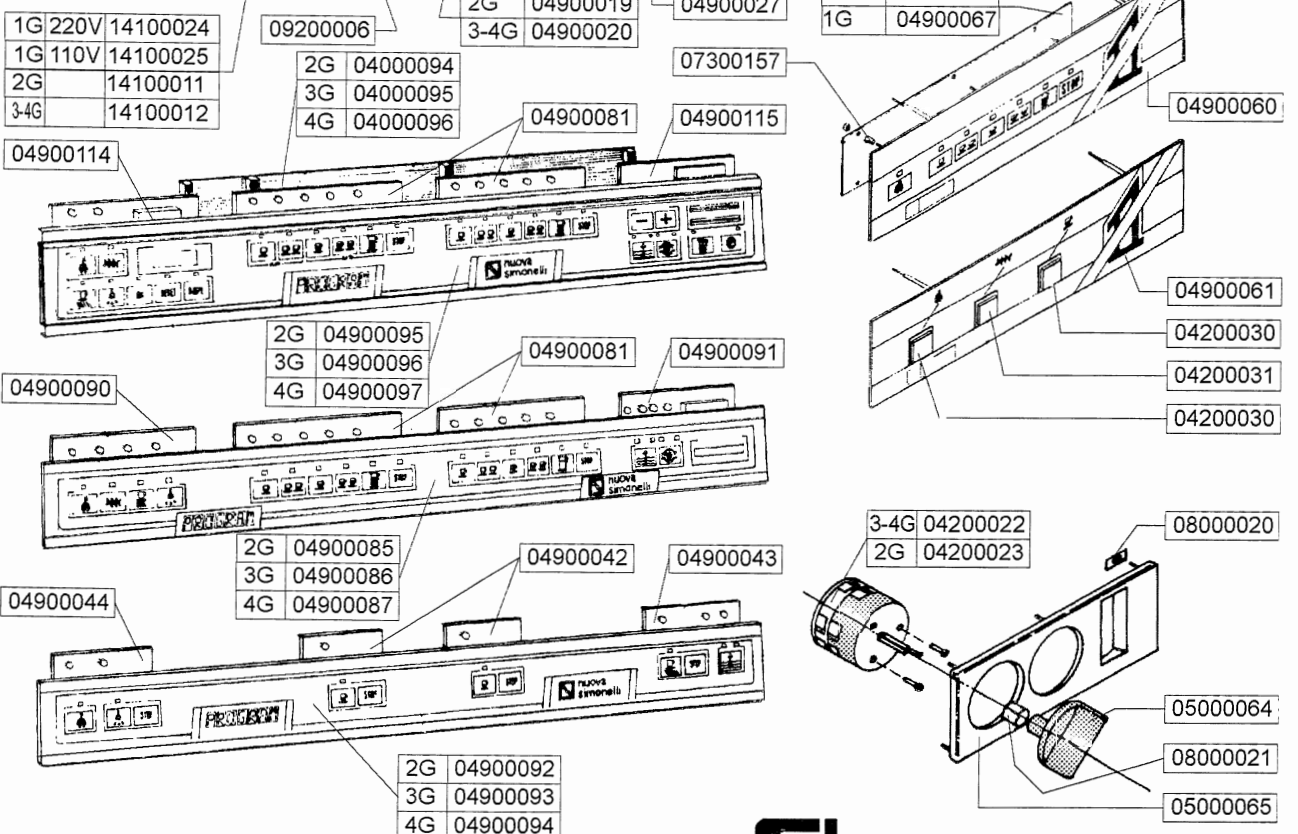
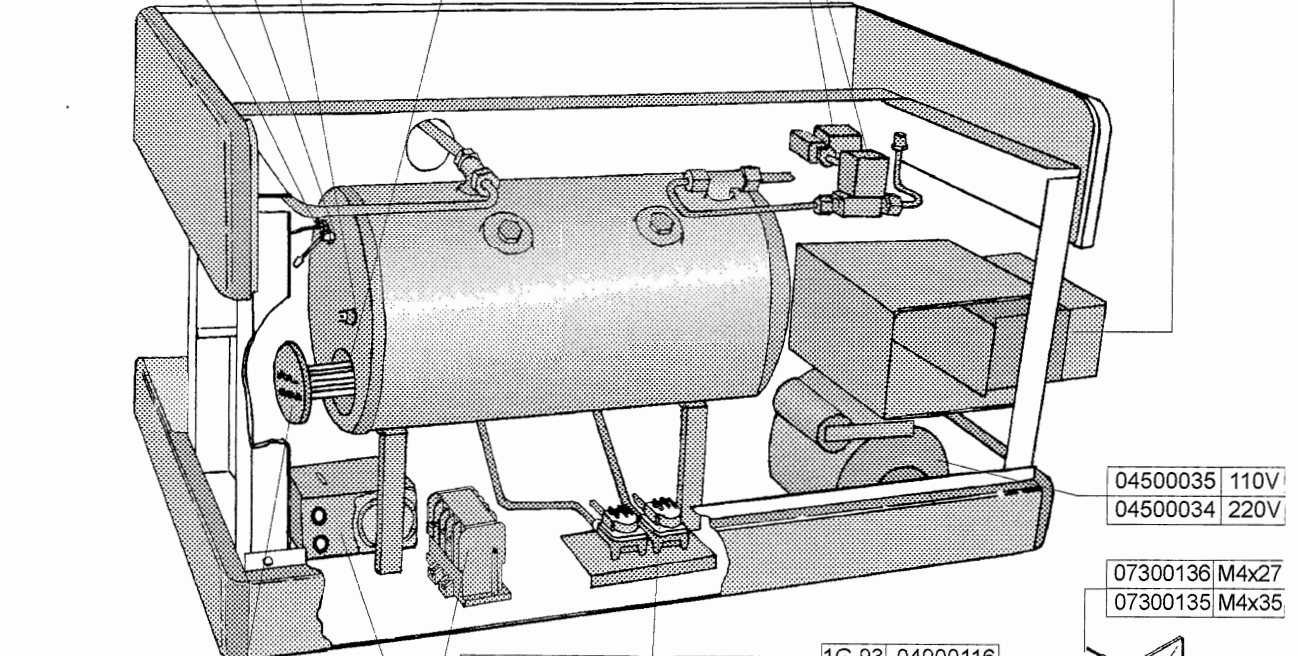
01300005



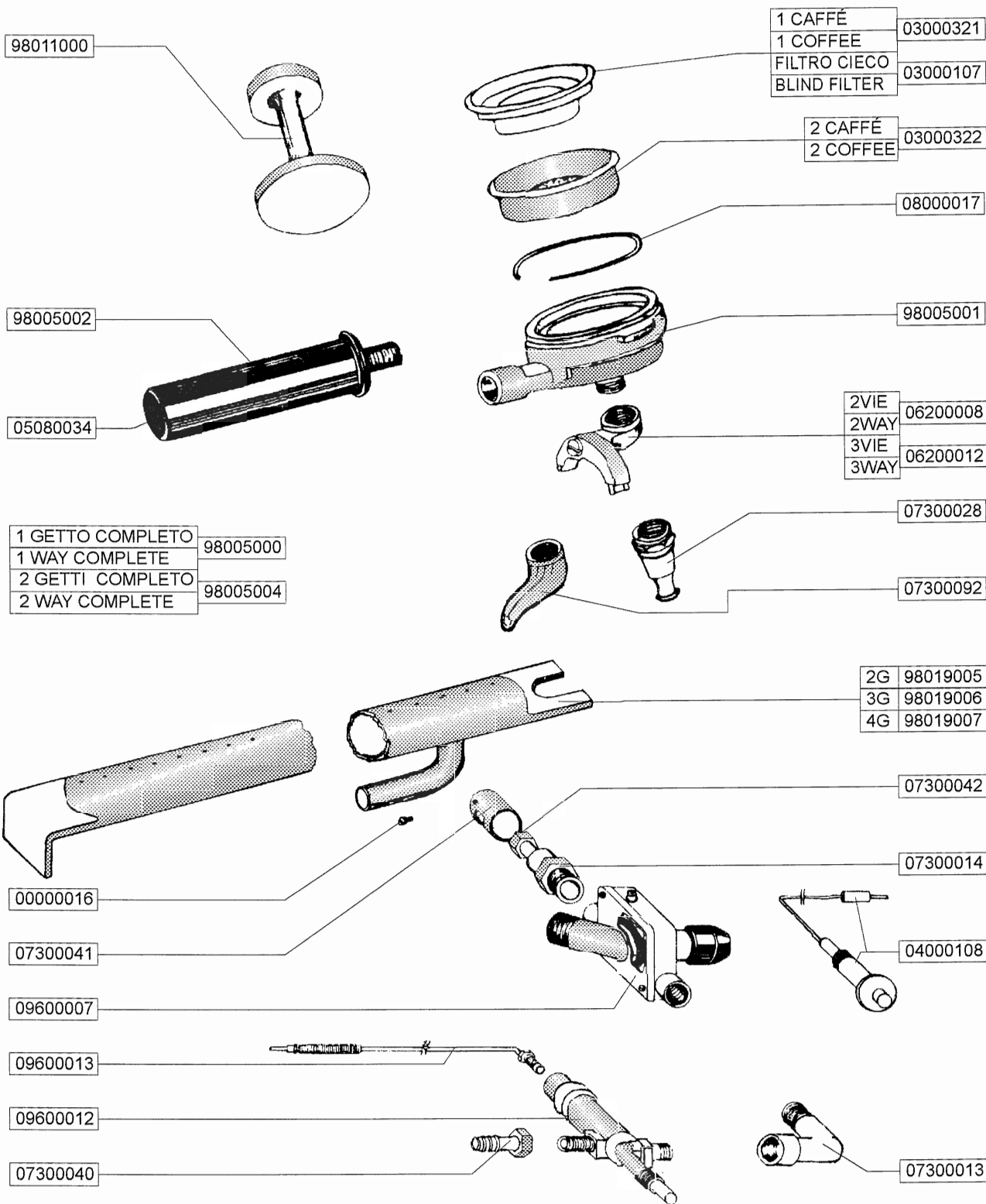
SCAMBIATORE
HEAT EXCHANGE 98004002

PARTI ELETTRICHE ELECTRIC PARTS

	S	V	PLUS
09500004	1G 220V	09000015	04900068
09000005	1G 110V	09000004	04800069
04900054	2G	04900045	04900088 04900551
02060015	3G	04900047	04900089 0490055.1
	4G	04900047	04900089 0490055.1
	1G 220V 93		04900117
	1G 110V 93		04900118



PORTA FILTRO E FILTRO PRESSINO APPLICAZIONE GAS FILTER, GAS BURNER



PROGRAMMA	CODICE	DESCRIZIONE	DESCRIPTION
	00000016	VITE AQ 8.8 M 6x12 TE ZINC.	SCREW AQ 8.8 M 6x12 TE ZINC.
	00300012	DADO OT 3/8" GAS	NUT BRASS 3/8" GAS
	00300015	VITE REGISTRO VALV. SICUREZZA	REGULATOR SCREW (SAFETY VALVE)
	00300021	VITE INOX M 6x16 TS T. C.	SCREW M 6x16 TS T. C.
	01000009	TUBO FLES. INOX 3/8" L. 250	FLEX TUBE INOX 3/8" L. 250
	01000010	TUBO FLES. INOX 1/4" L. 300	FLEX TUBE INOX 1/4" L. 300
	01000019	TUBO FLES. INOX 1/42 L. 500	FLEX TUBE INOX 1/42 L. 500
	01000028	VALVOLA SICUREZZA T.U.V.	SAFETY VALVE T.U.V.
	01000029	TUBO FLES. INOX 3/8" L. 1500	FLEX TUBE INOX 3/8" L. 1500
	01300005	POMPANTE VOLUMETRICO	VOLUMETRIC PUMPE
	02060015	GUARNIZIONE RESISTENZA	GASKET HEATING ELEMENT
	02060019	GUARNIZIONE GRUPPO ER. 90x30	GASKET GROUP ER. 90x30
	02060021	GUARNIZ. NONAMIANTO 33x24x1.5	FIBRE GASKET 33x24x1.5
	02060022	GUARNIZ. NONAMIANTO 72.5x61.5x1.5	FIBRE GASKET 72.5x61.5x1.5
	02060034	GUARNIZIONE FLANGIA	GASKET FLANGE
	02280010	GUARNIZ. OR. R7 D12 EP 851	O'RING R7 D12 EP 851
	02280011	GUARNIZ. OR. R11 D19 EP 851	O'RING R11 D19 EP 851
	02280012	GUARNIZIONE OR. POZZETTO	O'RING BLOCK
	02280014	GUARNIZ. OR. D7 AN2/OR. 102	O'RING D7 AN2/OR. 102
	02280020	GUARNIZ. SOTOCOPPA 73x58x7	GASKET GROUP 73x58x7
	02280032	GUARNIZ. OR. 114 EP. 851 V. LIV.	O'RING 114 EP. 851 V. LIV.
	02290016	GUARNIZ. OR. D9.5 R5 SILICONE R.	O'RING D9.5 R5 RED SILICON
	02590009	GUARNIZ. PISTONCINO 12x4.5x4	GASKET PISTON 12x4.5x4
	02590011	GUARNIZ. PISTONCINO 14x6x4.5	GASKET PISTON 14x6x4.5
	02590012	GUARNIZ. PISTONCINO D 12x4	GASKET PISTON D12x4
	03000066	DOCCIA INOX 56x5.5x6	SHOWER INOX 56x5.5x6
	03000107	FILTRO CIECO	BLIND FILTER
	03000118	PARETINA INFERIORE FRONT. P/2	INOX FRONT 2GR. MOULDING
	03000119	PARETINA INFERIORE FRONT. P/3	INOX FRONT 3GR. MOULDING
	03000120	PARETINA INFERIORE FRONT. P/4	INOX FRONT 4GR. MOULDING
	03000121	BASAMENTO MACCHINA P/2	BASE 2GR.
	03000122	BASAMENTO MACCHINA P/3	BASE 3GR.
	03000123	BASAMENTO MACCHINA P/4	BASE 4GR.
	03000124	PARETE SUP. POSTERIORE P/2	BACK UPPER PANEL 2GR.
	03000125	PARETE SUP. POSTERIORE P/3	BACK UPPER PANEL 3GR.
	03000126	PARETE SUP. POSTERIORE P/4	BACK UPPER PANEL 4GR.
	03000127	MOSTRINA SUP. POST. P/2	REAR INOX FLASHING 2GR.
	03000128	MOSTRINA SUP. POST. P/3	REAR INOX FLASHING 3GR.
	03000129	MOSTRINA SUP. POST. P/4	REAR INOX FLASHING 4GR.
	03000130	MOSTRINA SUP. DX / SX PR	RIGHT/LEFT INOX FLASHING
	03000131	RETINA RAC. CONDENSA L. 350	PERFORATED DRAIN GRILL L. 350
	03000132	RETINA RAC. CONDENSA L. 210	PERFORATED DRIAN GRILL L. 210
	03000133	PIATTO RAC. CONDENSA PR 2	DRAIN TRAY 2GR.
	03000134	PIATTO RAC. CONDENSA PR 3	DRAIN TRAY 3GR.
	03000135	PIATTO RAC. CONDENSA PR 4	DRAIN TRAY 4GR.
	03000136	COPRI GRUPPO SUP. PR. 2GR.	INOX COVER PLATE TOP 2GR.
	03000137	COPRI GRUPPO SUP. PR. 3GR.	INOX COVER PLATE TOP 3GR.
	03000138	COPRI GRUPPO SUP. PR. 4GR.	INOX COVER PLATE TOP 4GR.
	03000139	SUPPORTO PIANO LAVORO PR.	WORK GRILL SUPPORT
	03000146	CARENA POST. INOX PR. 2GR.	INOX BACK PANEL 2GR.
	03000147	CARENA POST. INOX PR. 3GR.	INOX BACK PANEL 3GR.
	03000148	CARENA POST. INOX PR. 4GR.	INOX BACK PANEL 4GR.
	03000149	CARENA DX INOX PR.	RIGHT INOX PANEL
	03000150	CARENA SX INOX PR.	LEFT INOX PANEL
	03000154	COPRI GRUPPO PR. 2GR.	INOX COVER 2GR.
	03000155	COPRI GRUPPO PR. 3GR.	INOX COVER 3GR.
	03000156	COPRI GRUPPO PR. 4GR.	INOX COVER 4GR.
	03000157	PARETE INFERIORE PLUS2	INOX SPLASH PLATE 2GR. MOD. PLUS2
	03000158	PARETE INFERIORE PLUS3	INOX SPLASH PLATE 3GR. MOD. PLUS3

CODICE	DESCRIZIONE	DESCRIPTION
03000159	PARETE INFERIORE PLUS4	INOX SPLASH PLATE 4GR. MOD. PLUS4
03000160	RETINA PIANO LAVORO PR2	PERFORATED WORK GRILL 2GR.
03000161	RETINA PIANO LAVORO PR3	PERFORATED WORK GRILL 3GR.
03000162	RETINA PIANO LAVORO PR4	PERFORATED WORK GRILL 4GR.
03000163	PIATTO RACCOGLI ACQUA PR2	DRAIN TRAY 2GR.
03000164	PIATTO RACCOGLI ACQUA PR3	DRAIN TRAY 3GR.
03000165	PIATTO RACCOGLI ACQUA PR4	DRAIN TRAY 4GR.
03000197	SUPPORTO PARETE SUP. DX PR	RIGHT INTERNALSUPPORT
03000198	SUPPORTO PARETE SUP. SX PR	LEFT INTERNAL SUPPORT
03000203	VASCHETTA SCARICO ACQUA	COLLECTOR DRAIN CUP
03000206	PARETE INFERIORE PR/S / V 2G.	INOX SPLASH PLATE 2GR. MOD. S-V
03000207	PARETE INFERIORE PR/S / V 3G.	INOX SPLASH PLATE 3GR. MOD. S-V
03000208	PARETE INFERIORE PR/S / V 4G.	INOX SPLASH PLATE 4GR. MOD. S-V
03000243	INVOLUCRO COMANDI P/1	INOX CONTROL PANEL HOUSING 1GR.
03000244	PARETE INF. FRONTALE P/1	INOX FRONT MOULDING 1GR.
03000245	BASAMENTO MACCHINA P/1	BASE 1GR.
03000246	PARETE SUPERIORE POST. P/1	BACK UPPER PANEL 1GR.
03000247	RETINA PIANO LAVORO P/1	PERFORATED WORK GRILL 1 GR.
03000248	PIATTO RAC. ACQUA P/1	DRAIN TRAY INOX 1GR.
03000250	RETINA RACCOGLI CONDENSA P/1	PERFORATED DRAIN GRILL 1GR.
03000252	CARENA POSTERIORE P/1	BACK PANEL 1GR.
03000254	PARETE FRONTALE P/1	INOX SPLASH PLATE 1GR.
03000255	COPRI GRUPPO INF. P/1	INOX COVER 1GR.
03000320	VASCHETTA SCARICO ACQUA P/1	COLLECTOR DRAIN CUP 1GR.
03000321	FILTRO 1 CAFFE' H=21.5 MOD. 90	FILTER 1 COFFEE H=21.5 MOD. 90
03000322	FILTRO 2 CAFFE' H=21.5 MOD. 90	FILTER 2 COFFEE H=21.5 MOD. 90
03000337	INVOLUCRO COMANDI PR. 91 2GR.	INOX CONT. PANEL HOUSING PR. '91 2GR
03000338	INVOLUCRO COMANDI PR. 91 3GR.	INOX CONT. PANEL HOUSING PR. '91 3GR
03000339	INVOLUCRO COMANDI PR. 91 4GR.	INOX CONT. PANEL HOUSING PR. '91 4GR
04000094	CAVO 26 VIE PULS./V91 2	CABLE 26 LINE TOUCHP. PLUS V 2GR '91
04000095	CAVO 26 VIE PULS./V91 3	CABLE 26 LINE TOUCHP. PLUS V 3GR '91
04000096	CAVO 26 VIE PULS./V91 4	CABLE 26 LINE TOUCHP. PLUS V 4GR '91
04000108	ACCENSIONE PIEZOELETTRICA COMP.	IGNITOR
04100003	ELETTROV. 2 VIE 220V. 1/4"	ELECTROVALVE 2 WAY 220V. 1/4"
04100004	ELETTROV. 2 VIE 110V. 1/4"	ELECTROVALVE 2 WAY 110V. 1/4"
04100012	ELETTROV. 2 VIE 220V. 1/4" AL	ELECTROVALVE 2 WAY 220V. 1/4" AL
04100017	ELETTROV. 3 VIE 220V./50	ELECTROVALVE 3 WAY 220V.
04100018	ELETTROV. 3 VIE 110V./60	ELECTROVALVE 3 WAY 110V.
04200019	CONTATTORE 16A Z00/R	RELAY 16A
04200022	COMMUTATORE ELETT. 4x25A	SWITCH 4x25A
04200023	COMMUTATORE ELETT. 4x16A	SWITCH 4x16A
04200030	INTERRUTTORE ON-OFF	SWITCH ON-OFF
04200031	SPIA LUMINOSA	INDICATOR LIGHT
04500034	MOTORE ELETTRICO 220V. MON	MOTOR 220V.
04500035	MOTORE ELETTRICO 110V./60	MOTOR 110V.
04900020	CONTATTORE 20A ZO/RM	RELAY 20A
04900027	DOSATORE ELETT. ACQUA FH12	FLOWMETRE
04900042	CIRCUITO ELETTR. CAFFE' PR/S	EROGATION CIRCUIT MOD. PROGRAM S
04900043	CIRCUITO ELETTR. SCALDAT. PR/S	CUP WARMER CIRCUIT MOD. PROGRAM S
04900044	CIRCUITO ELETTR. ACQUA C. PR/S	HOT WATER CIRCUIT MOD PROGRAM S
04900045	CENTRALINA ELETTR. PR/S 2GR.	MAIN CONTROL CIRCUIT PROG. S 2GR.
04900047	CENTRALINA ELETTR. PR/S 4GR.	MAIN CONTROL CIRCUIT PROG. S 4GR
04900054	SONDA MANOMETRO PROGRAM	TEMPERATURE SENSOR
04900055.1	CENTRALINA ELETTRONICA PR. PLUS	MAIN CONTROL CIRCUIT PROGRM PLUS
04900060	PANNELLO COMANDI MPV/1	TOUCHPAD MOD. PERSONAL V 1GR.
04900061	PANNELLO COMANDI MPS/1	TOUCHPAD MOD. PERSONAL S 1GR.
04900067	CIRCUITO DOSATURA P/1	DOSE KEYBOARD CIRCUIT PERSONAL
04900068	CENTRALINA ELETTR. P/1 V 220V.	MAIN CONTROL CIRCUIT PERS. V 220V.

PROGRAMM

CODICE	DESCRIZIONE	DESCRIPTION
04900069	CENTRALINA ELETTR. P/1 V 110V.	MAIN CONTROL CIRCUIT PERS. V 110V.
04900081	CIRCUITO DOSATURA PR. V	DOSE KEYBOARD CIRCUIT PROGRAM
04900085	PULSANTIERA PR/V 2GR. 91	TOUCHPAD MOD. PERSONAL V 2GR. '91
04900086	PULSANTIERA PR/V 3GR. 91	TOUCHPAD MOD. PERSONAL V 3GR. '91
04900087	PULSANTIERA PR/V 4GR. 91	TOUCHPAD MOD. PERSONAL V 4GR. '91
04900088	CENTRALINA ELETTR. PR/V 2GR. 91	MAIN CONTROL CIRCUIT PROG. V 2GR '91
04900089	CENTRALINA ELETTR. PR/V 4GR. 91	MAIN CONTROL CIRCUIT PROG. V 4GR '91
04900090	CIRCUITO EL. SERVIZI PR/V 91	SERVICE CIRCUIT MOD. PROGRAM V '91
04900091	CIRCUITO EL. MANOMETRO PR/V 91	GAUGE CIRCUIT MOD. PROGRAM V '91
04900092	CIRCUITO ELETTRONICO P1	ELECTRONIC CIRCUIT P1
04900093	PULSANTIERA PR/S 2 92	TOUCHPAD MOD. PROGRAM S 2GR. '92
04900094	PULSANTIERA PR/S 3 92	TOUCHPAD MOD. PROGRAM S 3GR. '92
04900095	PULSANTIERA PR/S 4 92	TOUCHPAD MOD. PROGRAM S 4GR. '92
04900096	PULSANTIERA PLUS 2 92	TOUCHPAD MOD. PROGRAM PLUS 2GR.'92
04900097	PULSANTIERA PLUS 3 92	TOUCHPAD MOD. PROGRAM PLUS 3GR.'92
04900103	PULSANTIERA PLUS 4 92	TOUCHPAD MOD. PROGRAM PLUS 4GR.'92
04900114	CIRCUITO SERV/DISPLAY PLUS 92	DYSPLAY CIRCUIT PROGRAM PLUS '92
04900115	CIRCUITO MANOMETRO PLUS 92	GAUGE CIRCUIT PROGRAM PLUS '92
05000039	MANOPOLA RUB. VAPORE SX PR.	LEFT STEAM LEVER
05000040	MANOPOLA RUB. VAPORE DX PR.	RIGHT STEAM LEVER
05000042	FIANCATA INF. DX PROGRAM	RIGHT SIDE PANEL
05000043	FIANCATA INF. SX PROGRAM	LEFT SIDE PANEL
05000044	FIANCATA SUP. DX PROGRAM	RIGHT UPPER SIDE PANEL
05000045	FIANCATA SUP. SX PROGRAM	LEFT UPPER SIDE PANEL
05000063	COPRI VALVOLA SICUREZZA	COVER SAFETY VALVE
05000064	MANOPOLA INTERRUTORE NS	KNOB
05000065	MOSTRINA MANOMETRO/LIVELLO	FACE PLATE GAUGE / SIGHTGLASS
05080034	TAPPO MANOPOLA PORTA FILTRO	CAP FILTER HANDLE
05340023	GRIGLIA NYLON 178x210	GRILL NYLON 178x210
05340024	GRIGLIA NYLON 178x350	GRILL NYLON 178x350
05340025	GRIGLIA NYLON 178x270	GRILL NYLON 178x270
06200008	BECCO 2 VIE	2 WAY SPOUT
06200012	BECCO 3 VIE	3 WAY SPOUT
07300009	DADO RACCORDO 1/4" GAS	CONNECTOR 1/4" GAS
07300012	RACCORDO 1/4" -1/4" GAS	CONNECTOR 1/4" -1/4" GAS
07300013	RACCORDO L 1/4 " M - F	CONNECTOR L 1/4 " M - F
07300014	RACCORDO 1/4" PORTA GIGLEUR	CONNECTOR 1/4" GIGLEUR
07300022	GIGLEUR EROGAZIONE M6x8	GIGLEUR M6x8
07300028	BECCO 1 GETTO ALTO	STRAIGHT 1 SPOUT SINGLE
07300034	PISTONCINO 12x4.5x4	PISTON 12x4.5x4
07300040	PORTA GOMMA 1/4" GAS DIRITTO	HOSE FITTING 1/4" GAS
07300041	REGISTRO ARIA BRUC. GAS	AIR INTAKE / REGULATOR
07300042	GIGLEUR GAS	GIGLEUR GAS
07300052	PISTONCINO 14x6x4.5	PISTON 14x6x4.5
07300053	CORPO VALVOLA SICUREZZA	BODY SAFETY VALVE
07300054	PISTONCINO 12x4 NEPLAX/RIT	PISTON 12x4 NEPLAX/RIT
07300055	TAPPO PORTA MOLLA 3/8" - 1/4"	CONNECTOR SPRING STOPPER 3/8" - 1/4"
07300062	CORPO VALVOLA NEPLAX RITEGNO	BODY EXPANSION / RETAINING VALVE
07300063	TAPPO	CORK
07300077	PROLUNGA 1/4" F. 1/4"M.	EXTENSION 1/4" F. 1/4"M.
07300091	RACCORDO T 1/4 CIL. M. - F. - M. 463	CONNECTOR T 1/4 CIL. M. - F. - M. 463
07300092	BECCO UN GETTO AD ANGOLO	ANGLE SPOUT SINGLE
07300104	SPINOTTO RUB. VAPORE PR.	PIN
07300105	ASTA COM. PISTONCINO R. V. PR.	VALVE SHAFT
07300107	PORTA MOLLA TUBO VAPORE PR.	SCREW STOPPER VALVE
07300108	FORCELLA PORTA MANOPOLA R. V.	FORK
07300109	PREMISTOPPA LIVELLO PROGRAM	REDUCTION FITTING WATER LEVEL
07300110	TAPPO PORTA MOLLA R. V. PROGRAM	CONNECTOR REDUCER
07300111	RACC. GOMITO 3/8"M - 3/8"F	ELBOW SPRIN HOLDER 3/8"M - 3/8"F

CODICE	DESCRIZIONE	DESCRIPTION
07300112	ATTACCO RUB. ACQUA PROGRAM	HOT WATER BLOCK
07300113	SNODO RUB. VAPORE PROGRAM	SWIVEL SHAFT
07300116	RACCORDO T 1/4" CIL M - M - F 465	FITTING T 1/4" CIL M - M - F 465
07300119	CORPO RUBINETTO VAPORE PR.	STEAM VALVE BODY
07300124	ROMPIGETTO GR. EROGAZIONE	DISPERSION NUT
07300135	PROLUNGA PULSANT. M4 L.35 P/1	EXTENSION M4 L.35 MOD. PERSONAL
07300136	PROLUNGA PULSANT M4 L. 27 P/1	EXTENSION M4 L.27 MOD. PERSONAL
07300149	COLLETTORE IDRAULICO PR. 2	DISTRIBUTION BLOCK 2GR.
07300150	COLLETTORE IDRAULICO PR. 3	DISTRIBUTION BLOCK 3GR.
07300157	DISTANZIALE PER CIRCUITI	THICKNESS
07300158	GAMBO PISTONCINO VALV. RITEGNO	RETAINING PIN (RETAINING VALVE)
07300159	ATTACCO 3/8" VASCHETTA SCARICO	DRAIN CONNECTOR
07300166	FLANGIA CHIUSURA	FLANGE
08000005	MOLLA 6 ST 11.5x8.5x25	SPRING 6 ST 11.5x8.5x25
08000007	MOLLA 11.5x8.4x32 ST 9.5	SPRING 95 ST 11.5x8.4x32 ST 9.5
08000008	MOLLA TARATA 11.5x1.5x24	SPRING 11.5x1.5x24
08000009	MOLLA ST6.5 VALV. RIT.	SPRING ST6.5 VALV. RIT.
08000013	MOLLA TUBO VAPORE PROGRAM	SPRING CONICAL
08000015	ANELLO SEEGER TIPO RS 5 INOX	SEEGER RS 5 INOX
08000017	MOLLA BLOCCA FILTRO ACC. INOX	SPRING HOLDER FILTER GASKET
08000020	MOLLA A PIASTRA MASCHERINA	SPRING LABEL
08000021	MOLLA MANOPOLA INTERRUTTORE	SPRING SWITCH
09000004	CENTRALINA AUTOLIVELLO 110V.	AUTO WATER FILL CIRCUIT 110V
09000005	SONDA AUTOLIVELLO COMPLETO	WATER LEVEL SENSOR COMPLETE
09000009	VETRO LIVELLO 112x12x1.5	GLASS WATER LEVEL 112x12x1.5
09000015	CENTRALINA AUTOLIVELLO 220V.	AUTO WATER FILL CIRCUIT 220V
09000016	RUBINETTO ACQUA INTERNO 3/8"	WATER LEVEL VALVE 3/8"
09000018	RUBINETTO INT. 1/4" 30 BAR	WATER VALVE 1/4" 30 BAR
09100003	MANOMETRO DOPPIA SCALA	DOUBLE SCALE GAUGE
09200006	PRESSOSTATO MACCHINA P 302/6	PRESSURESTAT P 302/6
09200009	PRESSOSTATO CONTROLLO POMPA	PRESSURESTAT PUMP CONTROL
09500004	TERMOSTATO Ty 60/R 125° C.	TERMOSTAT Ty 60/R 125° C.
09600007	REGOLATORE GAS 9.4.00.00	GAS REGULATOR 9.4.00.00
09600012	RUBINETTO SICUREZZA GAS	GAS SAFETY VALVE
09600013	TERMOCOPPIA 1.701.104	IGNITOR 1.701.104
14100011	RESISTENZA 3000 W. PR/2 GR.	HEATING ELEMENT 3000 W. 2 GR.
14100012	RESISTENZA 5000 W. PR/3 - 4 GR.	HEATING ELEMENT 5000 W. 3 - 4 GR.
14100024	RESISTENZA 1800 W. 220V.	HEATING ELEMENT 1800 W. 220V. 1GR
14100025	RESISTENZA 1500/1800 W. 110V. 1 GR.	HEATING ELEMENT 1500/1800 W. 110V.1GR.
70004010	GRUPPO EROGAZIONE COMPLETO	EROGATION GROUP COMPLETE
70004011	CORPO GRUPPO EROGAZ. CROMATO	BODY EROGATION GROUP
72012007	VALVOLA NEPLAX COMPLETA	EXPANSION VALVE COMPLETE
75006004	GRUPPO VAPORE DX PR.	RIGHT STEAM PICK
75006005	GRUPPO VAPORE SX PR.	LEFT STEAM PICK
75006008	LANCIA VAPORE DX PR. COMPLETA	RIGHT STEAM PIPE COMPLETE
75006009	GRUPPO VAPORE P/1	STEAM PICK 1 GR.
75006010	LANCIA VAPORE P/1 COMP.	STEAM PIPE 1 GR. COMPLETE
75007004	GRUPPO ACQUA CALDA PR.	HOT WATER PIPE COMPLETE
75007005	LANCIA ACQUA CALDA PR. COMPLETA	HOT WATER PIPE COMPLETE
75007007	GRUPPO ACQUA CALDA P/1	HOT WATER PIPE 1 GR.
75007008	LANCIA ACQUA CALDA P/1 COM.	HOT WATER PIPE 1 GR. COMPLETE
75010001	LIVELLO COMP.	WATER LEVEL COMPLETE
75010002	CORPO LIVELLO LAVORATO	BODY WATER LEVEL
75030001	TUBO SCARICO V. NEPLAX S	DESCARGE TUBE DRAIN
75030003	TUBO COLL. T SCARICO - RUB. MAN.	BUTTERFLY VALVE DRAIN
75030005	SERPENTINA SCALDATAZZE 2GR.	CUP WARMER STEAM PIPE 2 GR.
75030031	SERPENTINA SCALDATAZZE 3GR.	CUP WARMER STEAM PIPE 3 GR.

	DESCRIZIONE	DESCRIPTION
75030037	SERPENTINA SCALDATAZZE 4GR.	CUP WARMER STEAM PIPE 4GR.
75030042	CALDAIA COMPLETA 2GR.	BOILER COMPLETE 2GR.
75030045	GRUPPO CALDAIA P/1	BOILER 1 GR.
75030047	GRUPPO IDRAULICO P/1	HYDRAULIC GROUP 1 GR.
75030065	CALDAIA COMPLETA 3GR.	BOILER COMPLETE 3GR.
75030066	CALDAIA COMPLETA 4GR.	BOILER COMPLETE 4GR.
75030068	TUBO INTERNO SCAMB. M8	INTERNAL TUBE HEAT EXCHANGE M8
75030070	GRUPPO IDRAULICO PROGRAM/S 2G	HYDRAULIC GROUP PROGRAM S 2 GR.
75030071	GRUPPO IDRAULICO PROGRAM/S 3G	HYDRAULIC GROUP PROGRAM S 3 GR.
75030073	GRUPPO IDRAULICO PROGRAM 2GR.	HYDRAULIC GROUP PROGRAM V 2 GR.
75030093	GRUPPO IDRAULICO PROGRAM 3GR.	HYDRAULIC GROUP PROGRAM V 3 GR.
75030143	TUBO COLL. T - EV. EROGAZIONE	BUTTERFLY VALVE MANICAL FILL
98001018	PIEDE MACCHINA	FOOT
98003016	VALVOLA RITEGNO	RETAINING VALVE
98003017	PISTONCINO VALV. RITEGNO COMP.	PISTON RETAINING VALVE
98004000	PADIGLIONE	GROND HEAD CAP
98004001	FILTRO INOX EROGAZIONE	INOX FILTER SCRREN
98004002	SCAMBIATORE CALORE PR.	HEAT EXCHANGE
98005000	PORTAFILTRO COMPLETO 1 GETTO	FILTER COMPLETE 1 SPOUNT
98005001	CORPO PORTAFILTRO PROGRAM	FILTER BODY
98005002	MANOPOLA PORTAFILTRO COMPLETA	FILTER HANDLE COMPLETE
98005004	PORTAFILTRO COMPLETO 2 GETTI	FILTER COMPLETE 2 SPOUNT
98006B02	GETTO VAPORE 4 FORI CROM.	STEAM NOZZLE 4 HOLE COMPLETE
98008004	PISTONCINO CHIUSURA COMPLETO	PISTON STEAM VALVE COMPLETE
98012002	PISTONCINO VALV. NEPLAX COMPL.	PISTON EXPANSION VALVE COMPLETE
98013000	VALVOLA SICUREZZA ISPESL	SAFETY VALVE ISPESL
98013001	VALVOLA DI SICUREZZA COMPLETA	SAFETY VALVE COMPLETE
98013002	PISTONCINO VALV. SICUREZ. COMPL.	SAFETY VALVE PISTON COMPLETE
98019005	BRUCIATORE GAS PR. 2GR.	BURNER GAS 2 GR.
98019006	BRUCIATORE GAS PR. 3GR.	BURNER GAS 3 GR.
98019007	BRUCIATORE GAS PR. 4GR.	BURNER GAS 4 GR.
98021000	BLOCCO PORTA ELTTROVALVOLA	BLOCK 3 WAY ELECTROVALVE
98011000	PRESSA CAFFE' ALLUMINIO	COFFEE PRESS ALUMINIUM