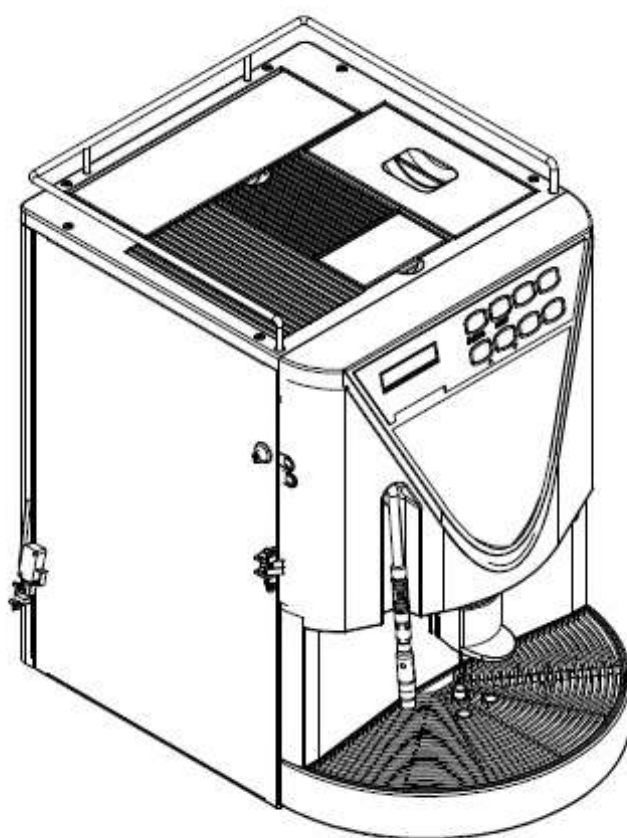


SPARE PARTS BOOK

MICROBAR II



01/12/2023

- T. 01 **CABINET PARTS**
COMPONENTI CARENA
- T. 02 **FRAME-TANK PARTS**
COMPONENTI TELAIO-TANICA
- T. 03 **FRAME-DIRECT CONN. PARTS**
PARTI TELAIO-ATTACCO DIRETTO
- T. 04 **BOILERS PARTS**
COMPONENTI CALDAIE
- T. 05 **POURING GROUP PARTS**
COMPONENTI GRUPPO EROGAZIONE
- T. 06 **GRINDER PARTS**
PARTI MACINADOSATORE
- T. 07 **SOL. VALVES PARTS**
COMPONENTI ELETTROVALVOLE
- T. 08 **EL. AND ELECTRONIC PARTS**
PARTI EL. ED ELETTRONICHE

» LEGEND :

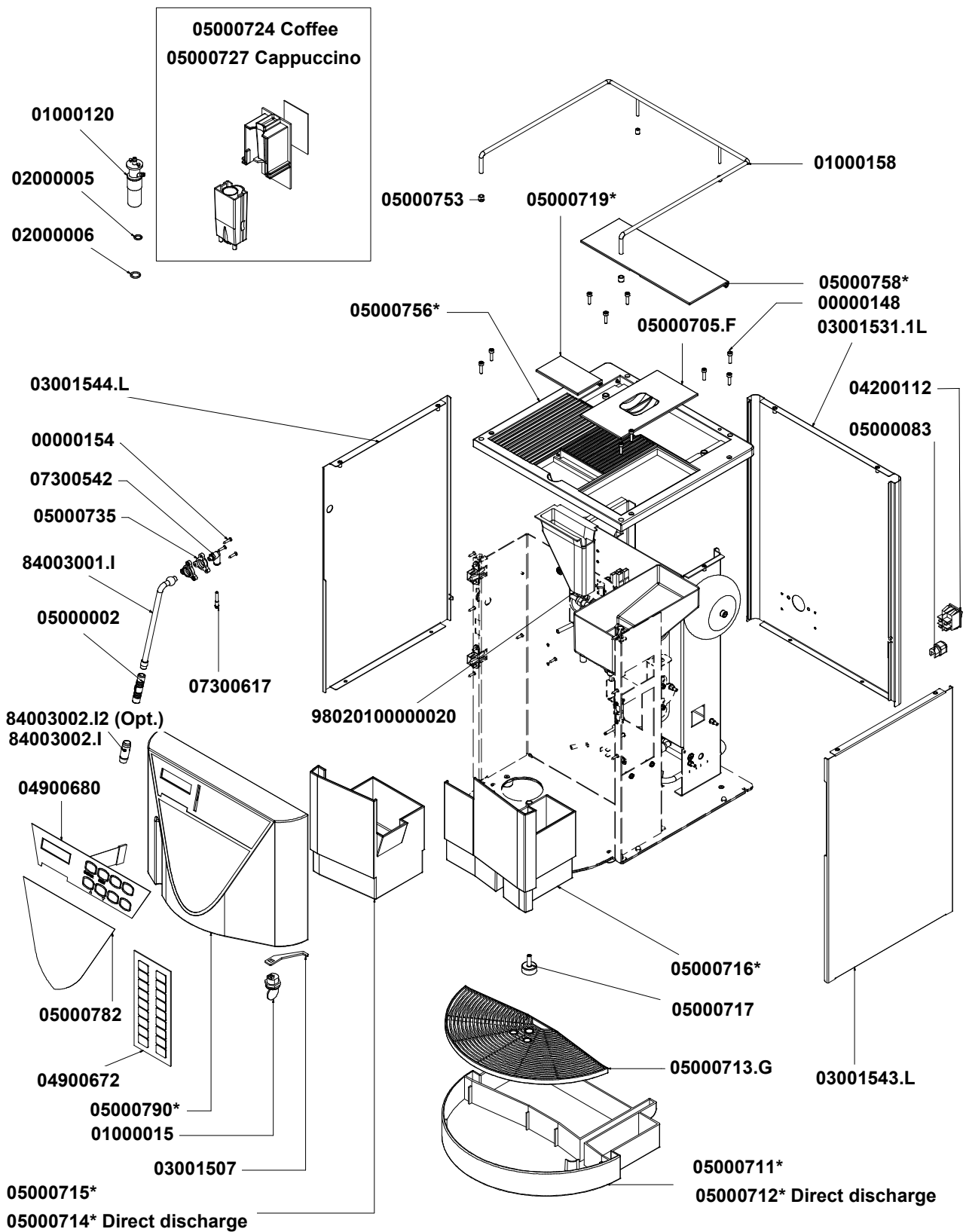
THE CODES WRITTEN IN BOLD REFER TO THE COMPONENTS
EMPLOYED CURRENTLY.

THE CODES USED BEFORE ARE WRITTEN IN CORSIVE WITH INDICATED,
ON THE SIDE, THE END OF VALIDITY DATE.

EXAMPLE:

03001531 - 01/09/2007

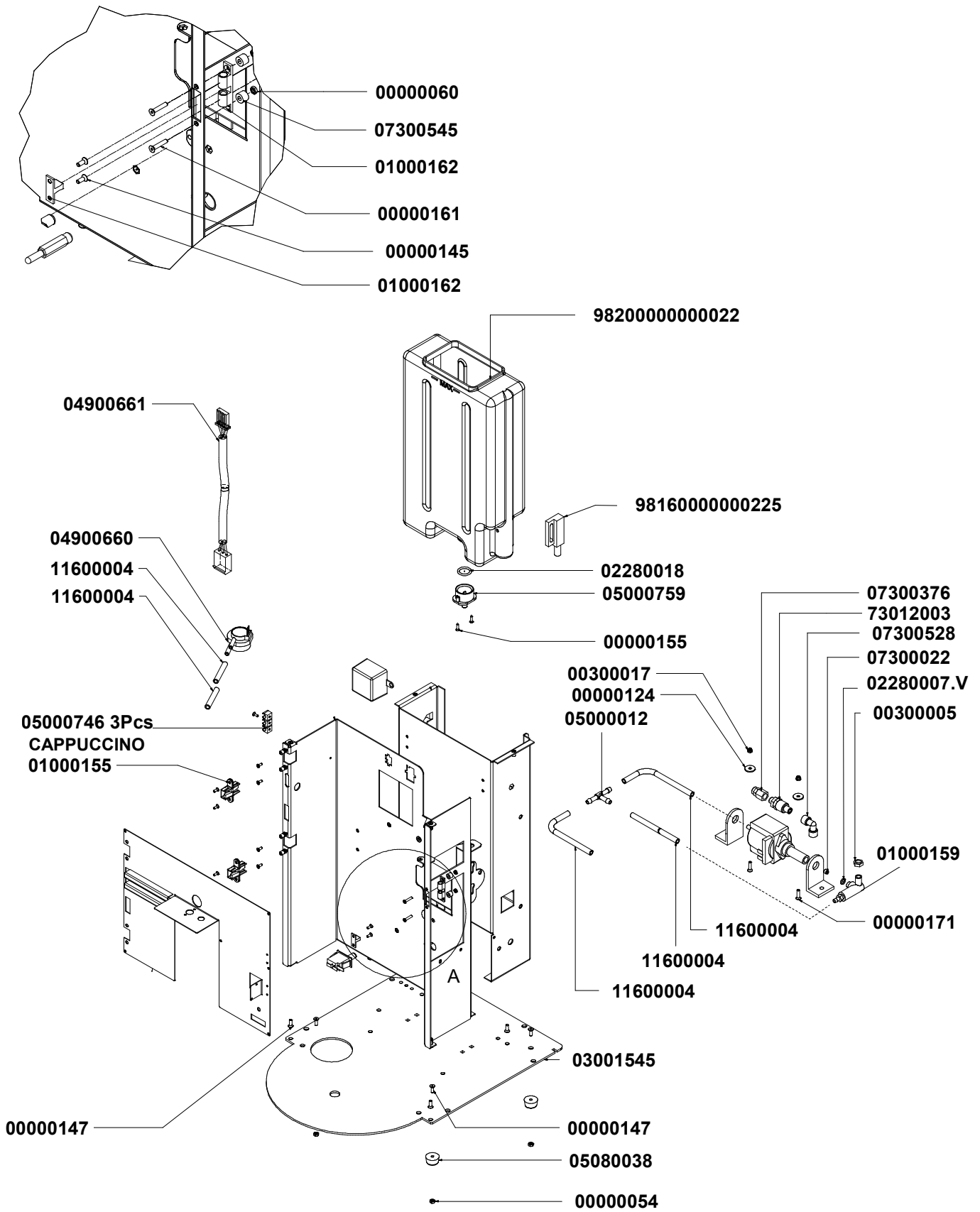
03001531



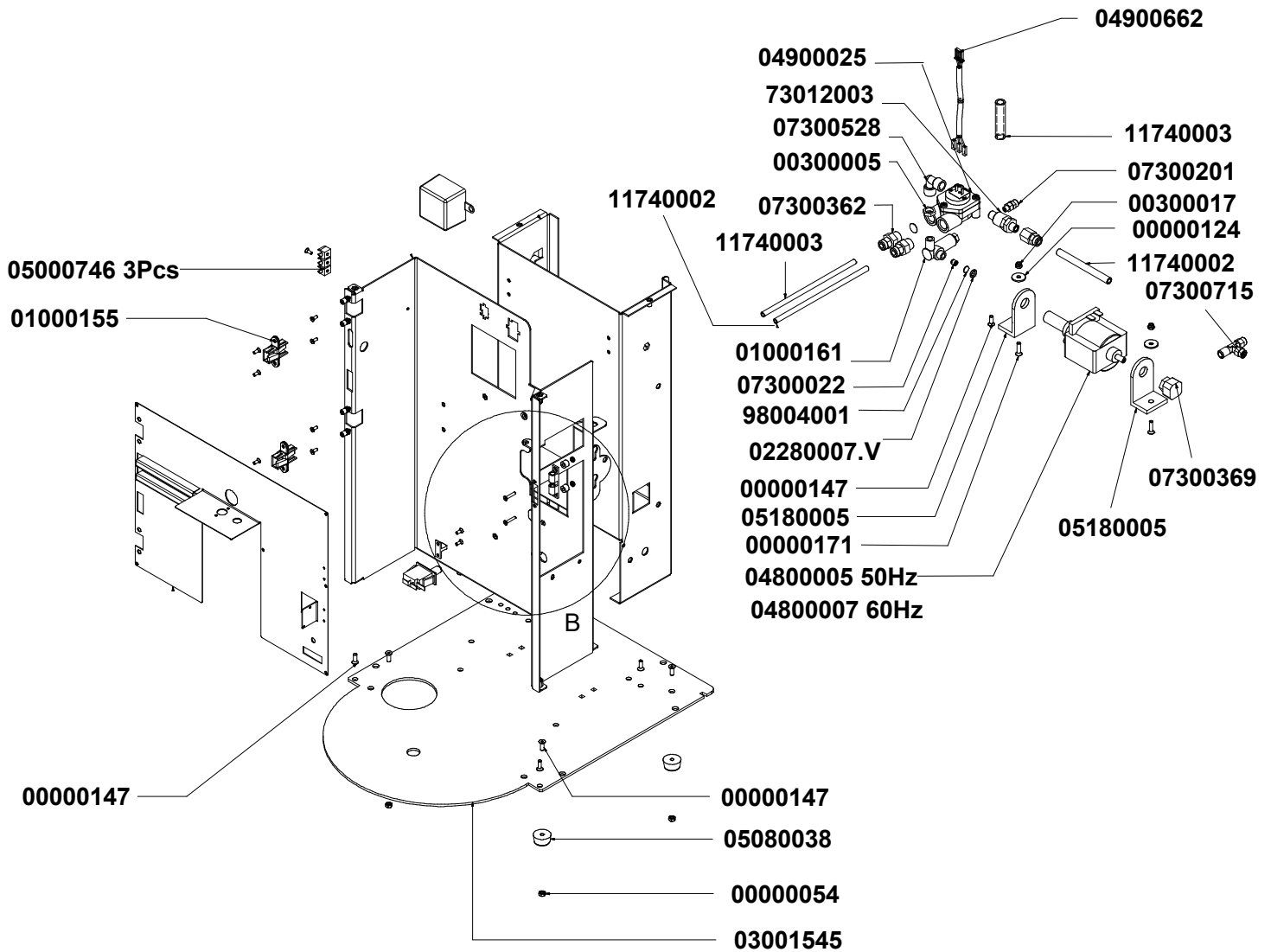
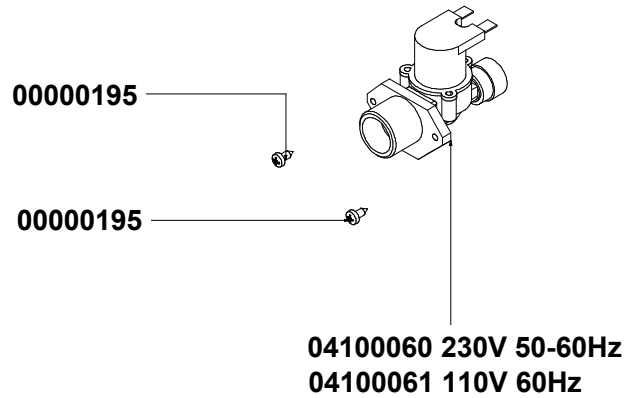
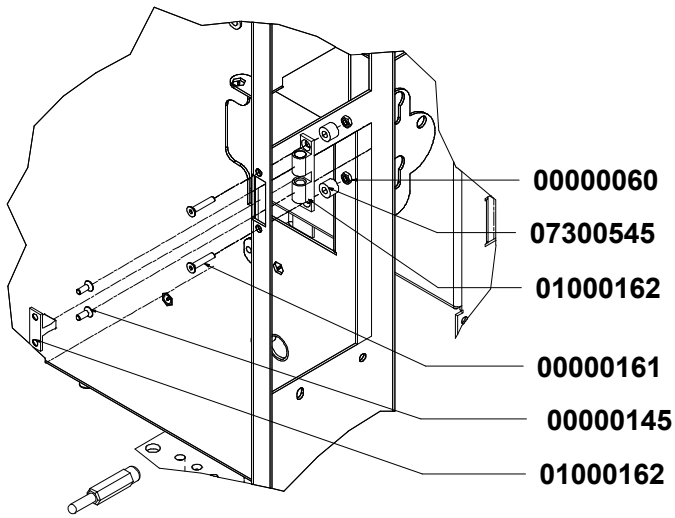
*Specify color
Specificare colore

T. 01

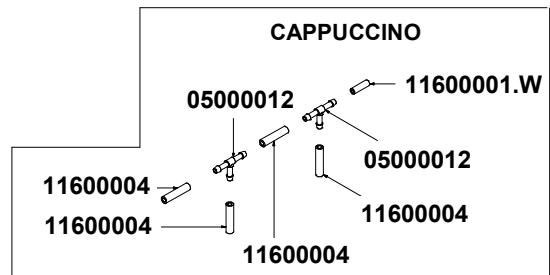
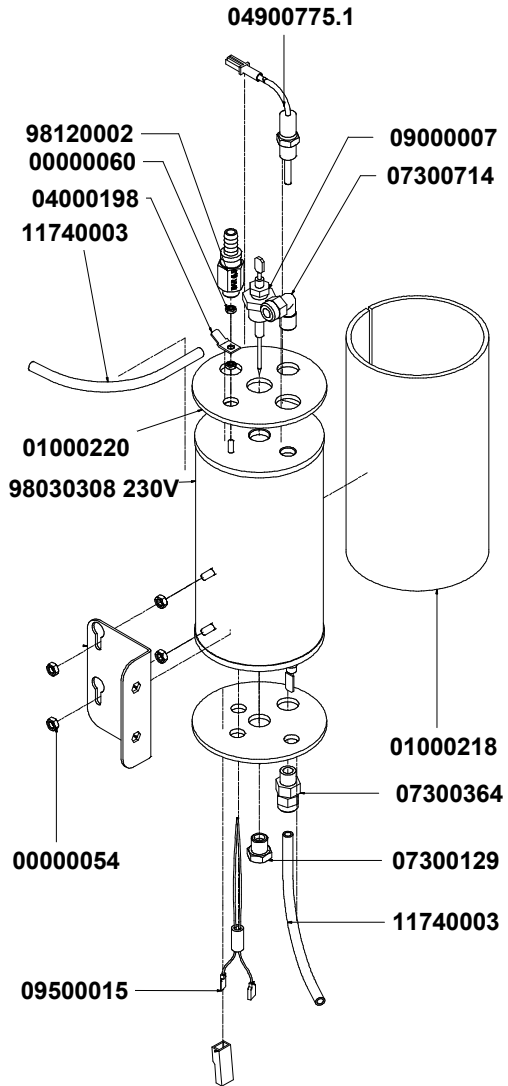
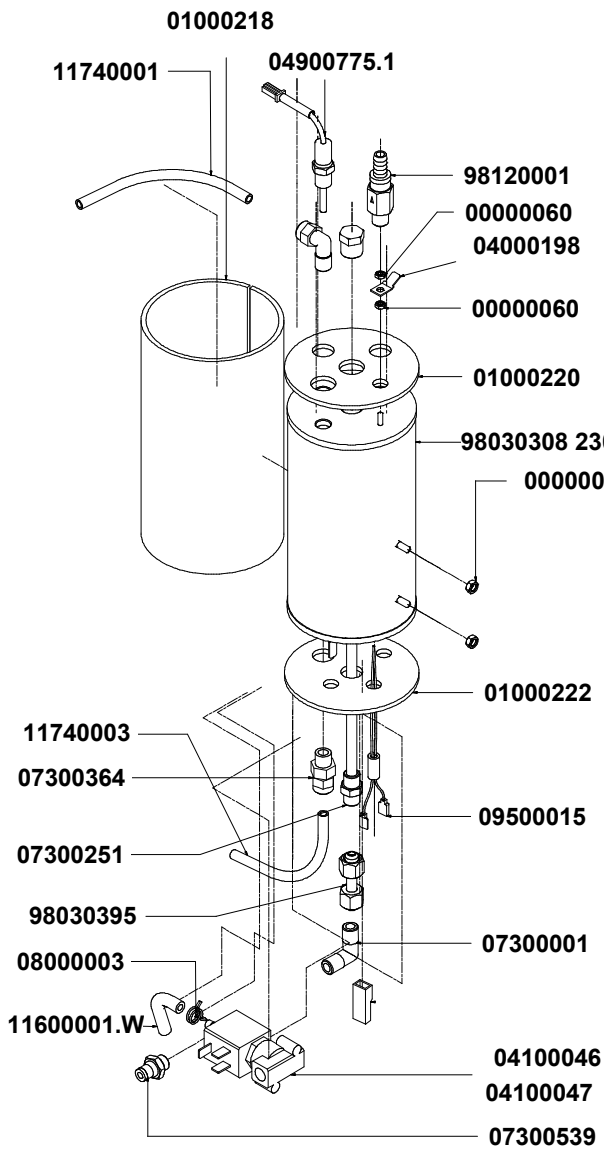
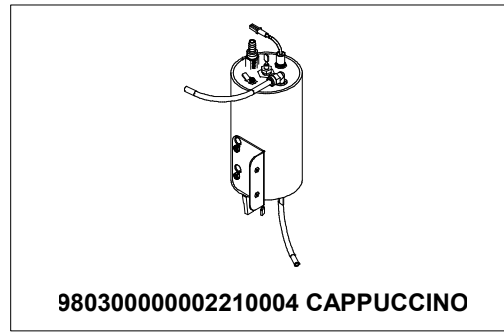
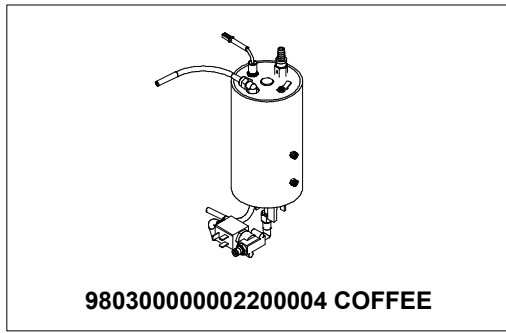
COD.	DESCRIPTION	DESCRIZIONE	VAL.
00000148	S/S HEXAGON SOCKET HEAD SCREW M4x16 UNI 5931	VITE INOX M4x16 TCEI UNI 5931	
00000154	S/S SCREW 3x16 TSPTCR DIN 7505 A	VITE INOX TRUCIOL. 3x16 TSP TCR DIN 7505 A	
01000015	CONTROLLED LOCK CONF. G 50 PZ	SERRATURA INVOLUCRO COMANDI CONF. G (50 pz.)	
01000120	MICROBAR MILK FROTHER	CAPPUCCINATORE "MICROBAR"	
01000158	S/S COVER FRAME 5LT MICROBAR	CORNICE INOX COPERCHIO CARENA MICROBAR 5LT	
02000005	SUPERIOR O RING FOR MICROBAR MILK FROTHER RED	OR SUP. CAPPUC. MICROBAR SILICONE ROSSO	
02000006	INFERIOR O RING FOR MICROBAR MILK FROTHER SIL	OR INF. CAPPUC. MICROBAR SIL.	
03001507	MICROBAR DOOR LOCK PLATE	PIASTRINA SERRATURA PORTA MICROBAR	
03001531.1L	S/S MICROBAR REAR CASE POLISHED	CARENA RETRO INOX LUCIDO MICROBAR	
03001543.L	S/S MICROBAR RIGHT CASE 5LT	CARENA DX INOX LUCIDO MICROBAR 5 LT	
03001544.L	S/S MICROBAR LEFT CASE 5LT	CARENA SX INOX LUCIDO MICROBAR 5 LT	
04200112	RED LIGHT 0/1 BIPOLAR SWITCH UL 16A	INTERRUTTORE BIPOLARE LUMINOSO ROSSO 0/1RETTAN	
04900672	CUSTOMIZ LABELS FOR KEYBOARD MICROBARII PEARL	SET ADESIVI PERSONALIZZAZIONE PULSANTIERA MICROB	
04900680	MEMBRANE KEYBOARD MICROBAR II	PULSANTIERA A MEMBRANA MICROBAR II	
05000002	RUBBER PROTECTION FOR STEAMWAND D8	GOMMINO PROTEZIONE LANCIA D.8	
05000083	CABLE LOCK SR 11-2 BLACK	BLOCCACAVO SR 11-2 NERO	
05000705.F	COFFEE HOPPER COVER MICROBAR SMOKED GREY	COPERCHIO CAMPANA CAFFE' MICROBAR GRIGIO FUME'	
05000711.BPV	WATER DRIP TRAY MICROBAR II PAINTED PEARL WHITE	VASCHETTA RACCOGLI ACQUA MICROBAR II BIANCO PER	
05000711.NV	WATER DRIP TRAY MICROBAR II PAINTED BLACK	VASCHETTA RACCOGLI ACQUA MICROBAR II NEROVERNI	
05000711.RV	WATER DRIP TRAU MICROBAR PAINTED RED	VASCHETTA RACCOGLI ACQUA MICROBAR ROSSO VERNI	
05000712.BPV	DIR DISCH WATER DRIP TRAY MICROBAR II PEARL WHIT	VASCHETTA RACC. ACQUA SCARICO DIR. MICROBAR IIBIA	
05000712.NV	DIRECT DISCH WATER DRIP TRAY MICROBAR II BLACK	VASCHETTA RACC. ACQUA SCARICO DIR. MICROBAR IINE	
05000713.G	MESH WORKTOP MICROBAR II GREY	RETINA PIANO LAVORO MICROBAR II GRIGIO	
05000714.BPV	LEFT DREGS DIR DISCHA TRAY MICROBAR II PEARL WHI	CASSETTO SX RAC.FONDI SCARICO DIR. MICROBAR IIBIA	
05000714.NV	LEFT DREGS DIR DISCHARGE TRAY MICROBAR II BLACK	CASSETTO SX RAC.FONDI SCARICO DIR. MICROBAR IINEF	
05000714.RV	LEFT DREGS DIR DISCHARGE TRAY MICROBAR RED	CASSETTO SX RAC.FONDI SCARICO DIRETTO MICROBAR	
05000715.BPV	LEFT DREGS TRAY MICROBAR II PAINTED PEARL WHITE	CASSETTO SX RAC.FONDI MICROBAR II BIANCO PERLAVE	
05000715.NV	LEFT DREGS TRAY MICROBAR II PAINTED BLACK	CASSETTO SX RAC.FONDI MICROBAR II NERO VERNICIAT	
05000715.RV	LEFT DREGS TRAY MICROBAR PAINTED RED	CASSETTO SX RAC.FONDI MICROBAR ROSSO VERNICIAT	
05000716.BPV	RIGHT POWDER TRAY MICROBAR II PAINTED PEARL WH	CASSETTO DX RACC.POLVERE MICROBAR II BIANCO PER	
05000716.NV	RIGHT POWDER TRAY MICROBAR II PAINTED BLACK	CASSETTO DX RACC.POLVERE MICROBAR II NEROVERNI	
05000717	FLOATING RED INDICATOR CUPHOLDER MICROBAR 2PC	GALLEGGIANTE SPIA ROSSO PIANO POGGIATAZZE MICR	
05000719.BPV	DECAF.CHUTE UPPER COVER MICROBAR II PEARL WHIT	CHIUSURA SUP.SCIVOLO DECA MICROBAR II BIANCO PER	
05000719.NV	DECAF.CHUTE UPPER COVER MICROBAR II PAINTED BL	CHIUSURA SUP.SCIVOLO DECA MICROBAR II NEROVERNI	
05000719.RV	DECAF.CHUTE UPPER COVER MICROBAR PAINTED RED	CHIUSURA SUP.SCIVOLO DECA MICROBAR ROSSOVERNI	
05000724	DISPENSING SPOUT W/ SUPPORT MICROBAR COFFEE G	BECCO EROG. COMPL. DI SUPPORTO MICROBAR COFFEE	
05000735	STEAMWAND SUPPORT MICROBAR	SUPPORTO LANCIA VAP. MICROBAR	
05000753	MICROBAR BASE FRAME GROMMET D6	GOMMINO CORNICE CARENA MICROBAR D.6	
05000756.BPV	FRAME COVER MICROBAR II 5LT 1M PEARL WHITE PAINT	COPERCHIO CARENA MICROBAR II 5LT 1M BIANCO PERLA	
05000756.NV	FRAME COVER MICROBAR II 5LT 1M BLACK PAINTED	COPERCHIO CARENA MICROBAR II 5LT 1M NEROVERNICI	
05000756.RV	FRAME COVER MICROBAR 5LT 1M RED PAINTED	COPERCHIO CARENA MICROBAR 5LT 1M ROSSO VERNICI	
05000758.BPV1	WATER TANK COVER 5LT MICROBARII PEARL WHITEPAI	COPERCHIO VASCHETTA ACQUA 5LT MICROBAR II BIANC	
05000758.NV1	WATER TANK COVER 5LT MICROBAR II BLACK PAINTED	COPERCHIO VASCHETTA ACQUA 5LT MICROBAR II NEROV	
05000758.RV	WATER TANK COVER 5LT MICROBAR RED PAINTED	COPERCHIO VASCHETTA ACQUA 5LT MICROBAR ROSSOV	
05000782	DOOR ADHESIVE MICROBAR II	ADESIVO PORTA MICROBAR II	
05000790.BPV	FRONT DOOR MICROBAR II PEARL WHITE PAINTED	PORTA FRONTALE MICROBAR II BIANCO PERLA VERNICIA	
05000790.NV	FRONT DOOR MICROBAR II BLACK PAINTED	PORTA FRONTALE MICROBAR II NERO VERNICIATO	
05000790.RV	FRONT DOOR MICROBAR II RED PAINTED	PORTA FRONTALE MICROBAR II ROSSO VERNICIATO	
07300542	RAPID FITTING M6 L GIR. D4	RACCORDO RAPIDO M6 L GIR. D4	
R07300542	QUICK COUPLING KIT M6 L GIR. D4 - 2PCS	KIT-RACCORDO RAPIDO M6 L GIR. D4 - 2Pz	
07300617	BRASS HOSE CLAMP D4 3mm HOLE	PORTAGOMMA INNESTABILE D4 OTT FORO 3mm	
84003001.I	S/S HOTWATER AND STEAM WAND MICROBAR	LANCIA INOX ACQUA CALDA E VAPORE MICROBAR	
9802010000020	DECAF POWDER CONVEYOR MICROBAR II	CONVOGLIATORE DECA MICROBAR II (RICAVATO DA05000	
84003002.I	S/S HOT WATER SPOUT AND STEAM WAND 4 HOLES MIC	BECCO INOX ACQUA CALDA E VAPORE LANCIA MICROBA	
84003002.I2		BECCO INOX ACQUA CALDA E VAPORE D.INT=2 LANCIAMI	



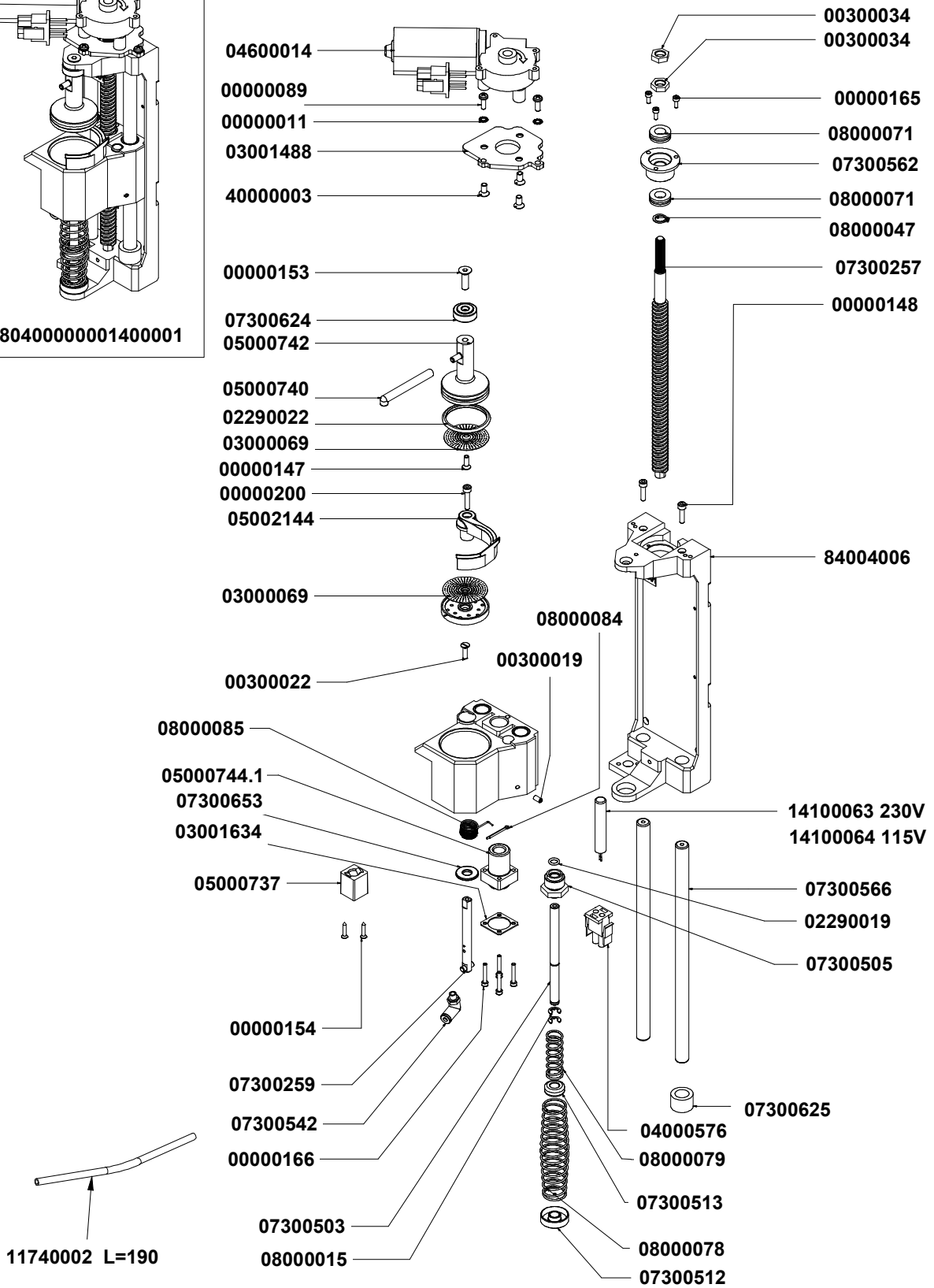
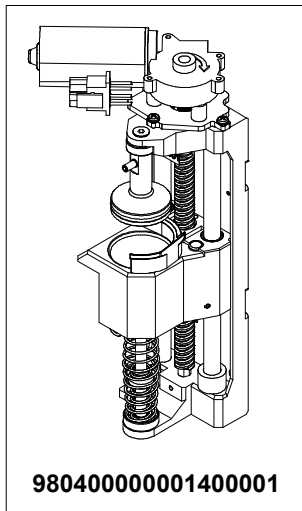
COD.	DESCRIPTION	DESCRIZIONE	VAL.
00000054	GALV HIGH NUT M4	DADO AQ M4 ALTO ZINCATO	
00000060	GALV MEDIUM NUT AQ M3	DADO AQ M3 MEDIO ZINCATO	
00000124	GALV WASHER D4 3x16x1.5	RONDELLA AQ D4.3x16x1.5 ZINC.	
00000145	S/S SCREW M3x8 TSPEI UNI 5933	VITE INOX M3x8 TSPEI UNI 5933	
00000147	S/S HEXAGON SOCKET CS FH CAP SCREW M4x12 UNI 5933	VITE INOX M4x12 TSPEI UNI 5933	
00000155	S/S SCREW 3x12 TSPTCR DIN 7505 A	VITE INOX TRUCIOL. 3x12 TSP TCR 18-8 DIN 7505 A	
00000161	S/S HEXAGON SOCKET CS FH CAP SCREW M3x16 UNI 5933	VITE INOX M3x16 TSPEI UNI 5933	
00000171	S/S HEXAGON SOCKET CS FH CAP SCREW M4x16 UNI 5933	VITE INOX M4x16 TSPEI UNI 5933	
00300005	BRASS NUT 1/8 GAS D4 ADD 22.07.96 CH13	DADO OT 1/8 GAS AGG.22.07.96 SPESS.4 CH13	
00300017	S/S SELF-LOCKING NUT M4 LOW DIN 982	DADO AUTOBLOC INOX M4 BASSO DIN985	
01000155	MICROBAR/PRONTOBAR DOOR HINGE 43x10 NICKEL-PL	CERNIERA SPORTELLO 43x10 NICH.MICROBAR/PRONTOBAR	
01000159	R ADJ BY-PASS FOR MOTOR PUMP WTH OR/SPRING E L	BY-PASS DX REG. x ELETTROPOMPA CON OR / MOLLA "E"	
R01000159	KIT-BYPASS FOR MOTOR PUMP WTH OR/SPRING - 1Pcs	KIT-BY-PASS DX REG. x ELETTROPOMPA CON OR / MOLLA	
01000162	COMPLETE MICROBAR LOCK	SCROCCHETTO COMPL. MICROBAR	
02280007.V	GASKET O RING R5A D10 DF801 VITON	GUARN. OR R5A D.10 DF801 VITON	
02280018	RED SILICON GASKET O RING Sh70	GUARN. OR R11 D19 SILICONE ROSSO Sh70	
03001545	MICROBAR BASE FRAME 5LT	BASE TELAIO MICROBAR 5LT	
04900660	FLOWMETER NSF PLASTIC LOW PRESSURE HOLE 1,2	DOSATORE VOLUMETRICO NSF PLASTICA BASSA PRESSI	
R04900660	KIT-FLOWMETER NSF PLASTIC LOW PRESSURE HOLE 1,2	KIT-DOSATORE VOLUMETRICO PLASTICA - 1Pz	
04900661	CONNECTION CABLE FLOWMETER CONTACTOR MICROBAR	CAVO COLLEGAMENTO CONTATORE VOLUMETRICO MICROBAR	
05000012	TUBE FASTENING TS 6	RACCORDO PORTATUBO TS 6	
R05000012	KIT-TUBE FASTENING TS 6 - 10Pcs	KIT-RACCORDO PORTATUBO - 10Pz	
05000746	PIPE-HOLDER CLIP D8/7 POSITIONS	CLIP FERMATUBO D8 /7 posizioni	
05000759	WATER CONTAINER COLLECTOR 5LT MICROBAR	COLLETTORE CONTENITORE ACQUA 5LT MICROBAR	
05080038	MACHINE FOOT 21.5xh11 BLACK	PIEDINO MACCHINA 21,5xh11 NERO	
07300022	DISPENSING GIGLEUR M 6x6 F0.8 ADD. 28.05.93	GIGLER EROGAZIONE M 6x6 F.0.8	
07300376	STRAIGHT FITTING F6 1/8	RACCORDO DIR.F. 6 1/8-CALZAM.	
07300528	FITTING L 1/8 F-F	RACCORDO L 1/8 F-F	
07300545	MICROBAR DOOR LOCK SHIM	SPESSORE PER SCROCCHETTO PORTA MICROBAR	
11600004	SILICONE PIPE 5x9 60Sh PEROX WHITE SEMITRASPAREN	TUBO SILICONE 5x9 70Sh PEROX TRASPARENTE(1mt=50gr)	
73012003	COMPLETE RETURN VALVE 1/8" MICROBAR	VALVOLA RITEGNO 1/8 COMPLETA MICROBAR **ADESAUF	
98160000000225	MAGNETIC SENSOR L= 400 MICROBAR II	SENSORE MAGNETICO L=400 MICROBAR II	
98200000000022	5LT WATER TANK SET WITH FLOAT	ASS. TANICA ACQUA 5LT CON GALLEGGIANTE	
R98200000000022	KIT-5LT WATER TANK SET WITH FLOAT - 1Pcs	KIT-ASS. TANICA ACQUA 5LT CON GALLEGGIANTE - 1Pz	



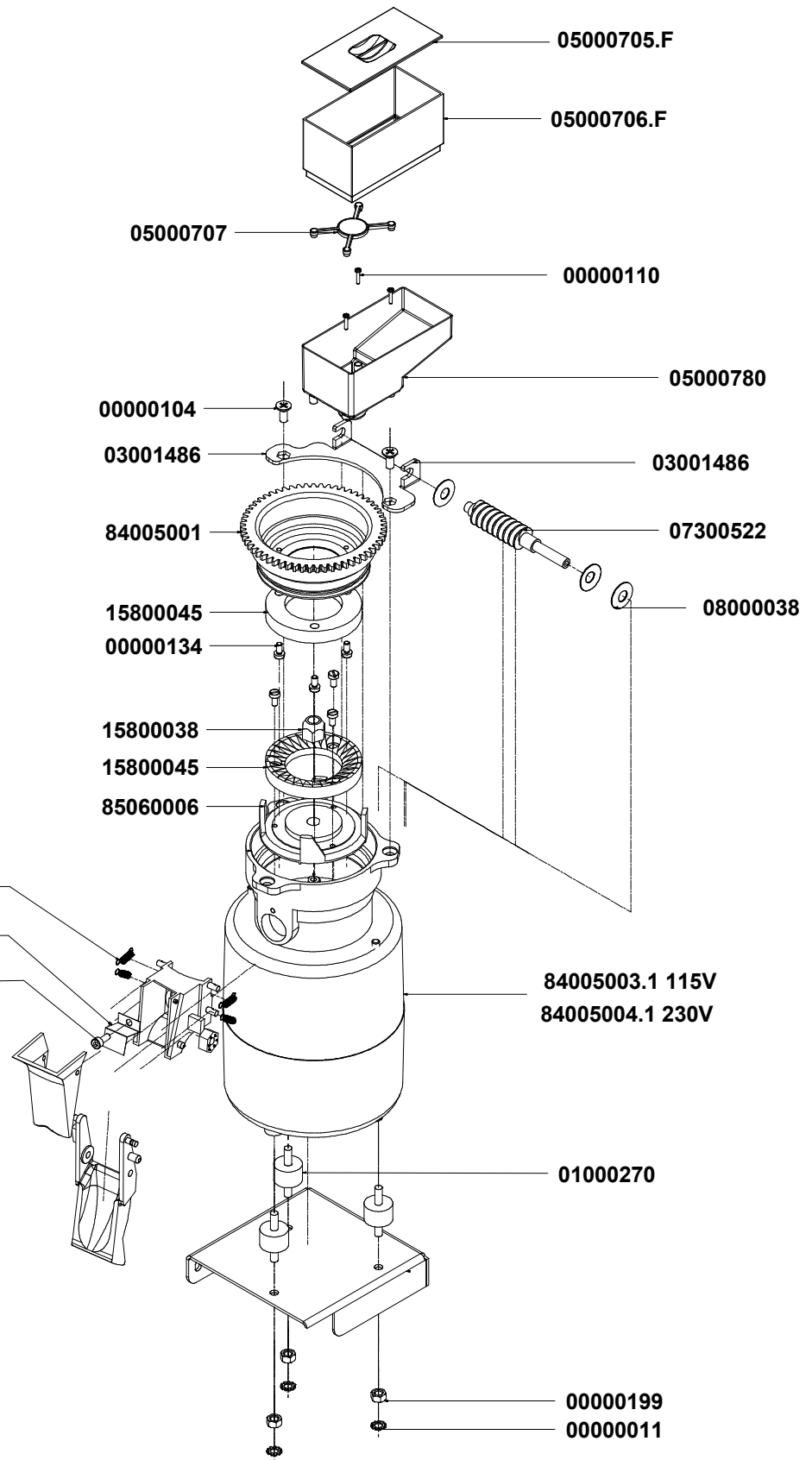
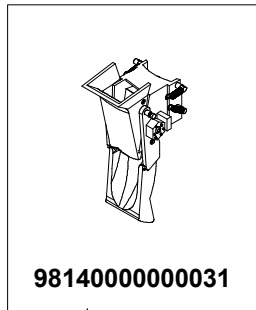
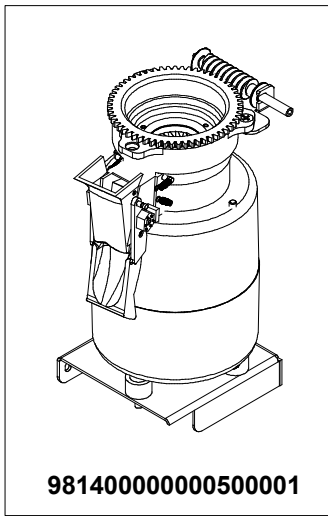
COD.	DESCRIPTION	DESCRIZIONE	VAL.
00000054	GALV HIGH NUT M4	DADO AQ M4 ALTO ZINCATO	
00000060	GALV MEDIUM NUT AQ M3	DADO AQ M3 MEDIO ZINCATO	
00000124	GALV WASHER D4 3x16x1.5	RONDELLA AQ D4.3x16x1.5 ZINC.	
00000145	S/S SCREW M3x8 TSPEI UNI 5933	VITE INOX M3x8 TSPEI UNI 5933	
00000147	S/S HEXAGON SOCKET CS FH CAP SCREW M4x12 UNI 5933	VITE INOX M4x12 TSPEI UNI 5933	
00000161	S/S HEXAGON SOCKET CS FH CAP SCREW M3x16 UNI 5933	VITE INOX M3x16 TSPEI UNI 5933	
00000171	S/S HEXAGON SOCKET CS FH CAP SCREW M4x16 UNI 5933	VITE INOX M4x16 TSPEI UNI 5933	
00000195	S/S SELF TAPPING SCREW 3,9X9,5 TC/TCR	VITE AUTOF INOX 3,9x9,5 TC TCR	
00300005	BRASS NUT 1/8 GAS D4 ADD 22.07.96 CH13	DADO OT 1/8 GAS AGG.22.07.96 SPESS.4 CH13	
00300017	S/S SELF-LOCKING NUT M4 LOW DIN 982	DADO AUTOBLOC INOX M4 BASSO DIN985	
01000155	MICROBAR/PRONTOBAR DOOR HINGE 43x10 NICKEL-PL	CERNIERA SPORTELLO 43x10 NICH.MICROBAR/PRONTOBAR	
01000161	ADJUSTABLE RIGHT BY-PASS FOR ENGINE PUMP DIREC	BY-PASS DESTRO REGOLABILE PER ELETTROPOMPA ATT	
01000162	COMPLETE MICROBAR LOCK	SCROCCHETTO COMPL. MICROBAR	
02280007.V	GASKET O RING R5A D10 DF801 VITON	GUARN. OR R5A D.10 DF801 VITON	
03001545	MICROBAR BASE FRAME 5LT	BASE TELAIO MICROBAR 5LT	
04100060	2WAY SOLENOID 3/4-JG 6 STRAIGHT+FILTR F.2,5 230V50	E.V. NC 2VIE 3/4-JG 6 DIRITTA REGOL+FILTR F.2,5230V 50/	
R04100060	KIT-2WAY SOLENOID 3/4-JG 6 STRAIGHT+FILTR F.2,5 - 1P	KIT-E.V. NC 2VIE 3/4-JG 6 DIRITTA REGOL+FILTR F.2,- 1Pz	
04100061	2WAY SOLENOID 3/4-JG 6 STRAIGHT+FILTR F.2,5 115V60	E.V. NC 2VIE 3/4-JG 6 DIRITTA REGOL+FILTR F.2,5115V 60H	
04800005	VIBRATION PUMP V230 50Hz 48W	POMPA ELETTROMECC. 230V 50Hz 48W	
R04800005	KIT-VIBRATION PUMP V230 50Hz 48W - 1Pcs	KIT-POMPA ELETTROMECC. 230V 50Hz 48W - 1Pz	
04800007	ELECTROMECHANICAL PUMP 220V 60Hz 64W	POMPA ELETTROMECCANICA 220V 60Hz 64W	
R04800007	KIT-ELECTROMECHANICAL PUMP 220V 60Hz 64W-1Pcs	KIT -POMPA ELETTROMECCANICA 220V 60HZ 64W-1PZ	
04900025	BRASS FLOWMETER 1/4-1/4 GAS-ATT. HEAD 2,8x0,5 F 1.2	DOSATORE VOLUMETRICO OTT. 1/4-1/4 GAS-ATT. TEST.2,	
04900662	DIR. ATT. CONN CABLE FLOWMETER CONTACTOR MICR	CAVO COLL. CONTATORE VOLUM. MICROBAR ATTACCO	
05000746	PIPE-HOLDER CLIP D8/7 POSITIONS	CLIP FERMATUBO D8 /7 posizioni	
05080038	MACHINE FOOT 21.5xh11 BLACK	PIEDINO MACCHINA 21,5xh11 NERO	
05180005	L-SHAPED PUMP BRACKET	SUPPORTO POMPA AD L	
07300022	DISPENSING GIGLEUR M 6x6 F0.8 ADD. 28.05.93	GIGLER EROGAZIONE M 6x6 F.0.8	
07300201	CYLIND. FITTING 6/4 M6 340/M	RACCORDO CIL. 6/4 M6 340/M	
07300362	STRAIGHT FITTING 1/4 M-FITTINGS.6 340	RACCORDO DIR. 1/4 M-CALZ.6 340	
07300369	DIRECT ATTACHMENT FITTING FOR ELECTROMECHANIC	RACCORDO ATTACCO DIRETTO PER POMPAELETTROME	
07300528	FITTING L 1/8 F-F	RACCORDO L 1/8 F-F	
07300545	MICROBAR DOOR LOCK SHIM	SPESSORE PER SCROCCHETTO PORTA MICROBAR	
07300715	T FITTING 1/8 M -FITTINGS.6 -FITTINGS.6	RACCORDO T 1/8 M -CALZAM.6 - CALZAM.6	
11740002	CALIBRATED TEFLON PIPE 4/2,5 TRASPARENT (ROLLS O	TUBO TEFLON 4/2,5 CALIBRATO TRASPARENTE (ROTOLI D	
11740003	CALIBRATED TEFLON PIPE 6/4	TUBO TEFLON NSF 6/4 CALIBRATO1 matassa = 50mt	
73012003	COMPLETE RETURN VALVE 1/8" MICROBAR	VALVOLA RITEGNO 1/8 COMPLETA MICROBAR **ADESAUF	
98004001	S/S FILTER D8	FILTRO INOX DIAM. 8	



COD.	DESCRIPTION	DESCRIZIONE	VAL.
11740001	TEFLON PIPE 6/4	TUBO TEFLON 6/4	
00000054	GALV HIGH NUT M4	DADO AQ M4 ALTO ZINCATO	
00000060	GALV MEDIUM NUT AQ M3	DADO AQ M3 MEDIO ZINCATO	
01000218	BOILER INSULATION D80 115x252,7	ISOLANTE CALDAIA D80 155x252,7	
R01000218	KIT-BOILER INSULATION D80 115x252,7 - 3Pcs	KIT-ISOLANTE CALDAIA D80 155x252,7 - 3Pz	
01000220	BOILER INSULATION SUPERIOR D80	ISOLANTE SUPER. D.80 CALDAIA	
R01000220	KIT-BOILER INSULATION SUPERIOR D80 - 8Pcs	KIT-ISOLANTE SUPER. D.80 CALDAIA - 8Pz	
01000222	BOILER INSULATION INFERIOR D80	ISOLANTE INFER. D.80 CALDAIA	
04000198	FOIL HOLDER M 6.3 D 4.2 45°	PRESA LAMELLARE M 6.3 d4.2 45°	
04100046	3WAY SOLENOID 1/8 1/8 M HOSE SUPPORT 230V 50/60Hz	E.V. NC 3VIE 1/8-1/8 PORTAG. 230V 50/60Hz VITONF1.5/1.2	
04100047	3WAY SOLENOID 1/8-1/8 HOSE CLAMP 115V 60Hz VITON	E.V. NC 3VIE 1/8-1/8 PORTAG. 115V 60Hz VITON F1.5UL PIE	
04900775.1	TEMPERATURE PROBE 150°NTC ATT.1/8 SS 4X20	SONDA TEMPERATURA 150 ATT.1/8 INOX 4x20 AMP MODU	
R04900775.1	KIT-TEMPERATURE PROBE 150°NTC ATT.1/8 SS 4X20 - 1P	KIT-SONDA TEMPERATURA 150 ATT.1/8 INOX 4x20 - 1Pz	
05000012	TUBE FASTENING TS 6	RACCORDO PORTATUBO TS 6	
R05000012	KIT-TUBE FASTENING TS 6 - 10Pcs	KIT-RACCORDO PORTATUBO - 10Pz	
R98120001	KIT-NEPLAX VITON 16,5 BAR VALVE 1/8 HOSE CLAMP - 2F	KIT-VALVOLA NEPLAX VITON 16,5 BAR 1/8 - PORTAGOMMA	
07300001	L FITTING 1/8 M-M 459	RACCORDO L 1/8 M-M(dimens. L 24 mm)	
07300129	PLUG 1/8 GAS OT-58	TAPPO 1/8 GAS OT-58	
07300251	FITTING 1/8 M-M HOLE 5,5 + THREADED M6 x L=11	RACCORDO 1/8 M-M FORO 5,5 + FILETT. M6 x L.=11	
R07300251	KIT-FITTING 1/8 M-M HOLE 5,5 + THREADED M6 x L=11 - 4	KIT-RACCORDO 1/8 M-M FORO 5,5 + FILETT. M6 x L.=11- 4P	
07300364	STRAIGHT FITTING 1/8 M CON. - FITTING.6 340	RACCORDO DIR. 1/8 M CON. - CALZAM.6 340	
R07300364	KIT-STRAIGHT FITTING 1/8 M CON. - FITTING.6 340 - 8Pcs	KIT-RACCORDO DIR. 1/8 M CON. - CALZAM.6 - 8Pz	
07300539	RAPID FITTING 1/8 STRAIGHT D4	RACCORDO RAPIDO 1/8 DIRITTO D4	
07300714	L FITTING 1/8 M - FITTINGS.6	RACCORDO L 1/8 M - CALZAM.6	
R07300714	KIT-L FITTING 1/8 M - FITTINGS.6 - 6Pcs	KIT-RACCORDO L 1/8 M - CALZAM.6 - 6Pz	
08000003	HOSE CLAMP D9,1	FASCETTA STRINGITUBO D9.1	
09000007	COMPLETE AUTOLEVEL PROBE L85 + PTFE	SONDA AUTOLIVELLO COMP. L=85 CON GOLA	
09500015	HEATING ELEMENT THERMAL PROTECTION G5 184°C 16A	TERMOPROTETTORE x RESISTENZA G5 184°C 16A 250V U	
R09500015	KIT-HEATING ELEMENT THERMAL PROTECTION G5 184°C	KIT-TERMOPROTETTORE x RESISTENZA G5 184C 16A 250V	
11600001.W	WHITE SILICONE PIPE 4x7,5 60Sh(1mt=41gr) PLATINICO S	TUBO SILICONE BIANCO4x7,5 60Sh(1mt=41gr) PLATINICO S	
11600004	SILICONE PIPE 5x9 60Sh PEROX WHITE SEMITRASPAREN	TUBO SILICONE 5x9 70Sh PEROX TRASPARENTE(1mt=50gr)	
11740003	CALIBRATED TEFLON PIPE 6/4	TUBO TEFLON NSF 6/4 CALIBRATO1 matassa = 50mt	
98030000002200004	COFFEE BOILER SET MICROBAR II 230V	ASS. CALDAIA CAFFE MICROBAR II 230V	
98030000002210004	STEAM BOILER SET MICROBAR II 230V	ASS. CALDAIA VAPORE MICROBAR II 230V	
98030308	S/S WELDED BOILER Aisi316 D77 L145 230V 1000W	CALDAIA SALD. ACCIAIO Aisi316 D.77 L=145 230V1000W	
98030395	INFERIOR PIPE COFFEE BOILER MICROBAR II	TUBO INF. CALDAIA CAFFE' MICROBAR II	
98120001	NEPLAX VITON 16,5 BAR VALVE 1/8 HOSE CLAMP	VALVOLA NEPLAX VITON 16,5 BAR 1/8 - PORTAGOMMA	
R98120001	KIT-NEPLAX VITON 16,5 BAR VALVE 1/8 HOSE CLAMP - 2F	KIT-VALVOLA NEPLAX VITON 16,5 BAR 1/8 - PORTAGOMMA	
98120002	NEPLAX VITON 6,5 BAR VALVE 1/8 HOSE CLAMP	VALVOLA NEPLAX VITON 6,5 BAR 1/8 - PORTAGOMMA	
R98120002	KIT-NEPLAX VITON 6,5 BAR VALVE 1/8 HOSE CLAMP - 1P	KIT-VALVOLA NEPLAX VITON 6,5 BAR 1/8 - PORTAGOMMA	

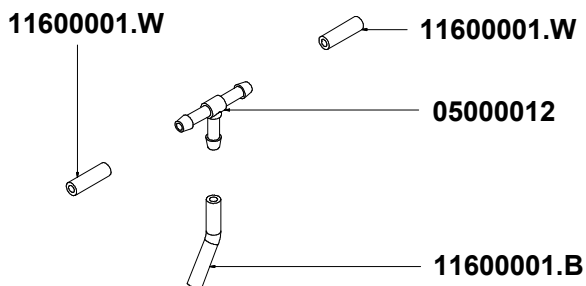
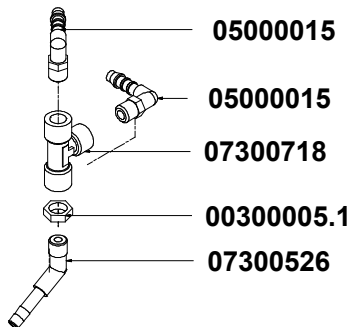
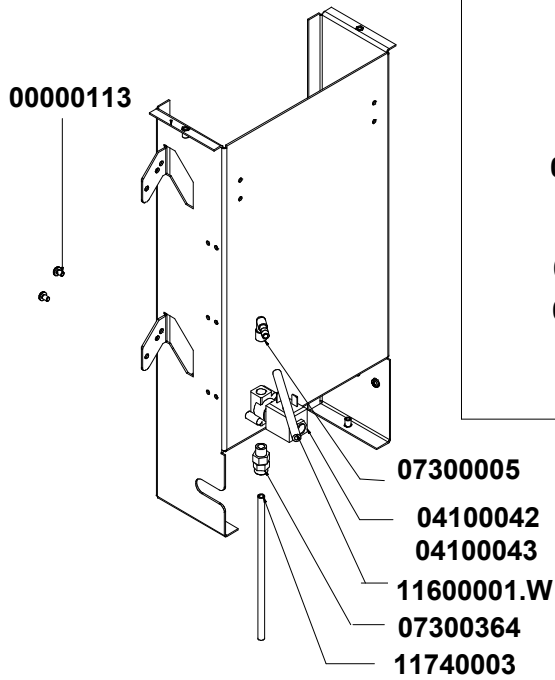


COD.	DESCRIPTION	DESCRIZIONE	VAL.
00000011	S/S KNURLED WASHER M4 UNI8842/A	RONDELLA INOX M4 ZIGRINATA UNI8842/A	
00000089	S/S CROSSHEAD CAP SCREW M4x12 DIN7985	VITE INOX M4x12 TC TCR DIN7985	
00000147	S/S HEXAGON SOCKET CS FH CAP SCREW M4x12 UNI 5931	VITE INOX M4x12 TSPEI UNI 5933	
00000148	S/S HEXAGON SOCKET HEAD SCREW M4x16 UNI 5931	VITE INOX M4x16 TCEI UNI 5931	
00000153	S/S HEXAGON SOCKET CS FH CAP SCREW M6x20	VITE INOX M6x20 TSPEI	
00000154	S/S SCREW 3x16 TSPTCR DIN 7505 A	VITE INOX TRUCIOL. 3x16 TSP TCR DIN 7505 A	
00000165	S/S SCREW M3x8 TCEI ISO 4762	VITE INOX M3x8 TCEI ISO 4762	
00000166	S/S SCREW M3x20 TCEI ISO 4762	VITE INOX M3x20 TCEI ISO 4762	
00000200	S/S SCREW M4x20 UNI 5931	VITE INOX M4x20 TCEI UNI 5931	
00300019	S/S GRUB SCREW M4X8 UNI 5923	GRANO INOX M4x6 UNI 5923 PP	
00300022	S/S SLT COUNTERSUNK SCREW M4X14 DIN963	VITE INOX M4x14 TSP TC DIN963	
00300034	BRASS NUT M10x1.25 D4.5 CH14	DADO OT M10x1.25 SPESS.4.5 CH14	
02290019	GASKET O-RING LOWER PISTON R6 DF801 VITON	GUARN. OR R6 DF801 VITON	
02290022	GASKET O RING D43 SYNTEK HTPU POLYURETHANE RE	GUARN. OR D.43 SYNTEK HTPU POLIURETANO ROSSO	
03000069	S/S SHOWER D40 X M4 CS ADD 08.01.99	DOCCIA INOX D.40 x M4 T.SVP AGG.08.01.99	
03001488	ENGINE GROUP ADAPTATION PLATE MICROBAR II	PIASTRA ADATTAMENTO MOTORE GR.EROGAZIONE MICROBAR II	
03001634	FASTENING PLATE FOR MICROBAR 08 GROUP SCREW V	PIASTRINA FISSAGGIO CHIOCCIOLA VITE GRUPPOMICROBAR 08	
04000576	2-WAY M LOCK CONNECTOR 4x1	CONNETTORE 2 VIE (2x1) M LOK	
04600014	GEARMOTOR 24Vcc ENCODER PRONTOBAR D42 LEFT 4	MOTORIDUTTORE 24Vcc ENCODER "PRONTOBAR" D.4240	
05000737	MICROBAR UNIT EJECTION BUSHING MICROBAR/PRONT	BOCCOLA MOV. ESPULSIONE MICROBAR/PRONTOBAR	
05000740	DISPENSING TUBE GR MICROBAR	TUBO EROGAZIONE GR.MICROBAR	
05000742	NYLON UPPER PISTON D43 MICROBAR	PISTONE SUP. D.43 NYLON MICROBAR	
05000744.1	SPIRAL MOVEMENT SCREW MICROBAR	CHIOCCIOLA VITE MOVIMENTO T.N. MICROBAR	
05002144	EXPLUSION PALETTE PRONTOBAR	PALETTA ESPULSIONE PRONTOBAR	
07300257	S/S SCREW FOR GROUP MOVEMENT PRONTOBAR	VITE MOVIMENTO GR. PRONTOBAR INOX Aisi430F	
07300259	GROUP EJECTION AXLE PRONTOBAR	ALBERO PALETTA ESPULSIONE GR. PRONTOBAR	
07300503	MICROBAR GROUP DRAIN LOWER PISTON SHAFT	ALBERO PISTONE INF.SCARICO MICROBAR	
07300505	MICROBAR DRAIN PISTON SHAFT BUSHING	BOCCOLA ALBERO PISTONE SCARICO	
07300512	INFERIOR SPRING PLATE GROUP MICROBAR	PIATTELLO PORTAMOLLA INFERIORE GR. MICROBAR	
07300513	SUPERIOR SPRING PLATE GROUP MICROBAR	PIATTELLO PORTAMOLLA SUPERIORE GR. MICROBAR	
07300542	RAPID FITTING M6 L GIR. D4	RACCORDO RAPIDO M6 L GIR. D4	
07300562	BUSHING FLANGE FOR GROUP SCREW MICROBAR 08	BOCCOLA FLANG. PER VITE GR. ERMICROBAR 08	
07300566	S/S PILLAR 430 GROUP MICROBAR 08	COLONNA INOX 304 GRUPPO MICROBAR 08	
07300624	ALLUMINUM SPACER D.21 H=8 F.15-6.5 FOR SUPERIOR I	SPESSORE AL D.21 H=8 F.15-6.5 x PISTONE EROGAZIONE	
07300625	COPPER SPACER D.20 H=13.5 F.12.5 STOP INFERIOR GR	SPESSORE OT D.20 H=13.5 F.12.5STOP INF.GR.MICROBAR	
07300653	BRASS WASHER D.20x8.1x2	RONDELLA OT D.20x8.1x2	
08000015	S/S SEEGER RING TYPE RS 5 UNI7434	ANELLO SEEGER TIPO RS 5 INOX UNI7434	
08000047	S/S SEEGER INTERIORS J 10	SEEGER ESTERNI INOX A 10	
08000071	MODULAR AXIAL BEARING 19x10x6	CUSCINETTO ASSIALE COMPONIBILE 10x19x6	
08000078	MICROBAR GROUP DISCHARGE PISTON LONG SPRING	MOLLA LUNGA PISTONE SCARICO GRUPPO MICROBAR	
08000079	MICROBAR GROUP DISCHARGE PISTON SHORT SPRING	MOLLA CORTA PISTONE SCARICO GRUPPO MICROBAR	
08000084	S/S ELASTIC CLIP D.2 L.20 UNI1336 DIN49 ISO1234	COPIGLIA D.2 L.20 INOX 304 UNI1336 DIN49 ISO1234	
08000085	SPRING FOR GROUP EXPULSION GROUP TALENTO	MOLLA PALETTA ESPULSIONE GR.TALENTO	
11740002	CALIBRATED TEFLON PIPE 4/2,5 TRASPARENT (ROLLS O	TUBO TEFLON 4/2,5 CALIBRATO TRASPARENTE (ROTOLI I	
14100063	CARTRIDGE HEAT. ELEMENT D10x55 18W 230V	RESISTENZA A CARTUCCIA D10x55 18W 230V	
14100064	CARTRIDGE HEAT. ELEMENT D10x55 18W 115V	RESISTENZA A CARTUCCIA D10x55 18W V.115	
40000003	S/S SCREW TSPTC UNI6109	VITE INOX M5x10 TSPTC UNI6109	
84004006	FINISHED GROUP SUPPORT MICROBAR08-MICROBAR II	SUPP. GRUPPO LAVORATO MICROBAR 08-MICROBAR II T.	
98040000001400001	DISPENSING GROUP SET MICROBAR II 230V	ASS. GR EROG. MICROBAR II 230V	

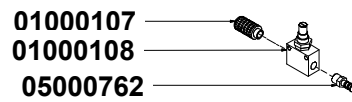
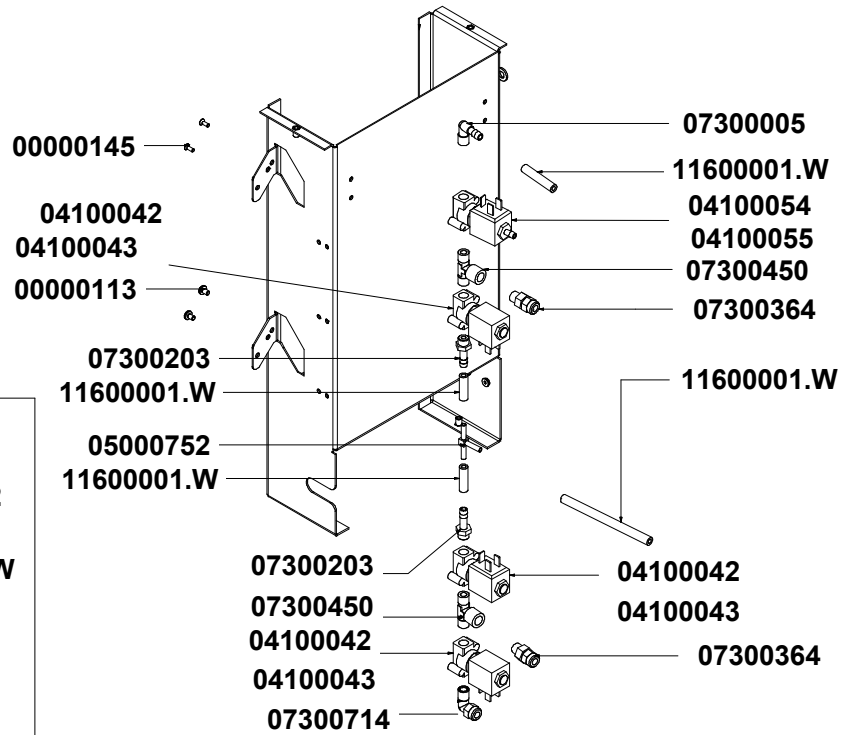


COD.	DESCRIPTION	DESCRIZIONE	VAL.
00000011	S/S KNURLED WASHER M4 UNI8842/A	RONDELLA INOX M4 ZIGRINATA UNI8842/A	
00000104	S/S CROSSHEAD COUNTERSUNK SCREW M4x10 DIN965	VITE INOX M4x10 TSP TCR DIN965	
00000110	S/S CROSS HEAD CAP SCREW M4x20 7985	VITE INOX M4x20 TC TCR 7985	
00000134	GALV SCREW AQ M3x6 TC TC UNI 6107	VITE AQ M3x6 TC TC ZINC. UNI6107	
00000165	S/S SCREW M3x8 TCEI ISO 4762	VITE INOX M3x8 TCEI ISO 4762	
00000199	S/S NUT M4 MEDIUM UNI 5588	DADO INOX M4 MEDIO UNI 5588	
01000270	ANTI-VIBRATING AD 15X10 M4 MM	ANTIVIBRANTE AD 15x10 M4 MM	
03001486	QUICK JUNCTION T 1/8 GIR. D4	SUPPORTO REGISTRO MACININO MICROBAR II / PRONTO	
03001623	CLUMP CRUSHER PRONTOBAR - MICROBAR	CLUMP CRUSHER PRONTOBAR - MICROBAR	
05000705.F	COFFEE HOPPER COVER MICROBAR SMOKED GREY	COPERCHIO CAMPANA CAFFE' MICROBAR GRIGIO FUME'	
05000706.F	COFFEE HOPPER EXTENTION MICROBAR SMOKEY GREY	PROLUNGA CAMP. CAFFE' MICROBAR GRIGIO FUME'	
05000707	INTERIOR PROTECTION COFFEE HOPPER MICROBAR	PROTEZIONE INTERNA CAMPANA CAFFE' MICROBAR	
05000780	BEAN HOPPER MICROBAR II	CAMPANA CAFFE' MICROBAR II	
07300522	MICROBAR GRINDING ADJUSTMENT SCREW	VITE REGOLAZIONE MACINATURA MICROBAR	
08000038	BELLEVILLE WASHER 15x6.2x0.5x0.5	MOLLA A TAZZA 15x6,2x0,5x0,5	
08000081	MICROBAR LEFT GRINDER MOBILE CHUTE RECALL SPR	MOLLA RICHIAMO SCIVOLO MOBILE MACININO SX MICROBAR	
15800038	LOCK NUT MCF BURR	DADO BLOCCAGGIO MACINE MCF	
15800045	BURR PAIR D50 3 HOLES POWER	COPPIA MACINE D50 3 FORI POWER	
R15800045	KIT-BURR PAIR D50 3 HOLES POWER - 1Pcs	KIT-COPPIA MACINE D50 3 FORI POWER - 1Pz	
84005001	SERRATED SUPERIOR BURR HOLDER MICROBAR/PRON	PORTAMACINE SUPERIORE DENTATO MICROBAR / PRON	
84005003.1	GRINDER ENGINE MICROBAR 115V 60Hz 120W with HOLE	MOTORE MACININO MICROBAR 115V 60Hz 120WCON FOR	
84005004.1	GRINDER MOTOR 230V 50Hz 120W WITH HOLES	MOTORE MACININO MICROBAR 230V 50Hz 120WCON FOR	
85060006	INFERIOR BURR HOLDER FINISHED GRINTA	PORTAMACINE INF. LAVORATO	
98140000000031	RIGHT GRINDER CHUTE SET PRONTOBAR	ASS. SCIVOLO PER MACININO DX PRONTOBAR	
R98140000000031	KIT-RIGHT GRINDER CHUTE SET - 2Pcs	KIT-ASS. SCIVOLO PER MACININO DX - 2Pz	
981400000000500001	GRINDER SET MICROBAR II 230V	ASS.MACININO MICROBAR II 230V	

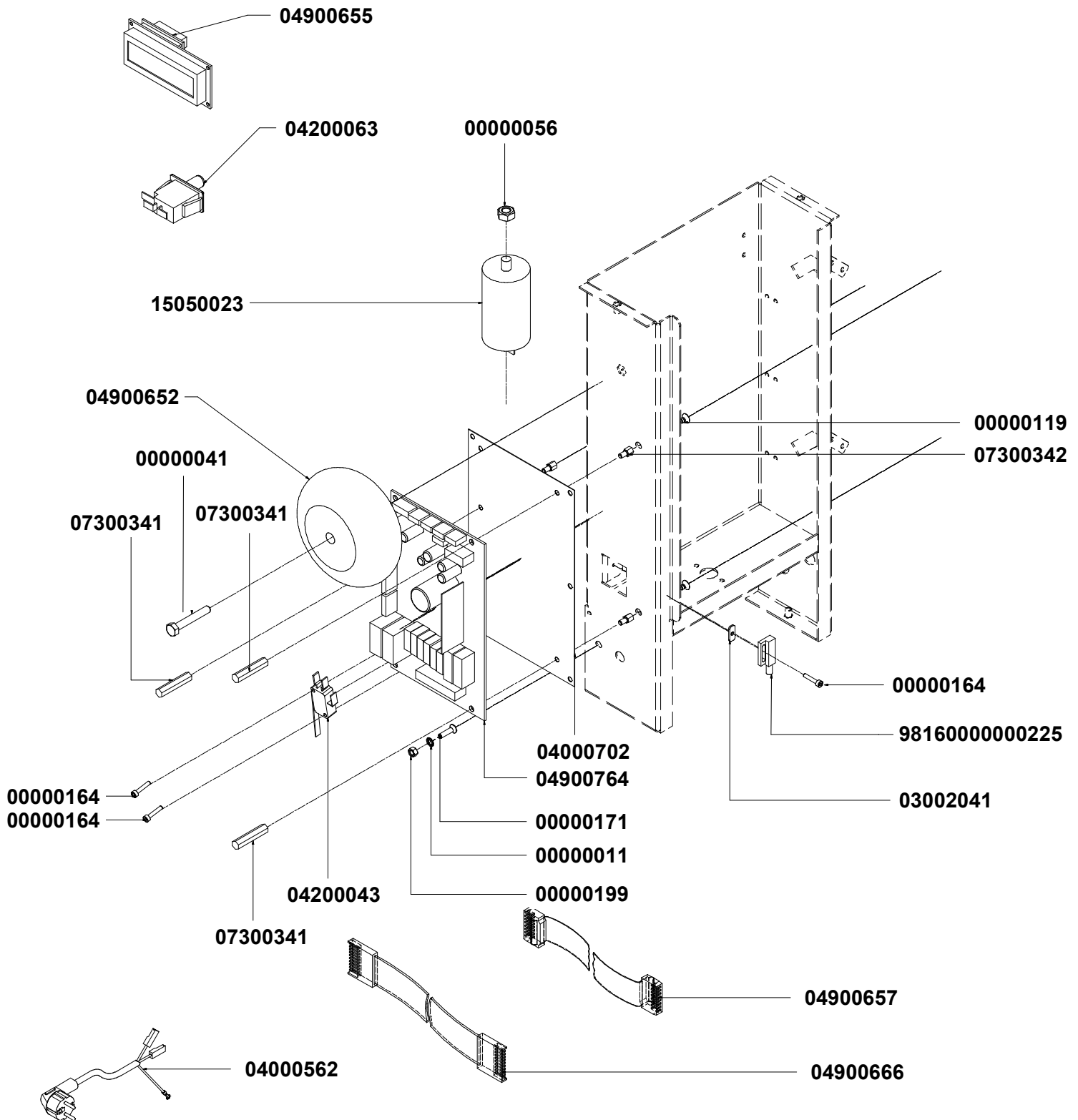
COFFEE VERSION



CAPPUCCINO VERSION



COD.	DESCRIPTION	DESCRIZIONE	VAL.
00000113	S/S CROS SHEAD CAP SCREW M4x6 7985	VITE INOX M4x6 TC TCR 7985	
00000145	S/S SCREW M3x8 TSPEI UNI 5933	VITE INOX M3x8 TSPEI UNI 5933	
00300005.1	BRASS NUT 1/8 GAS OVERSIZE 0.15mm CH13	DADO OT 1/8 GAS MAGGIORATO 0.15mm SPESS.4 CH13	
01000107	VALVE SILENCER 1/8 491	SILENZIATORE 1/8 491	
R01000107	KIT-VALVE SILENCER 1/8 - 3Pcs	KIT-SILENZIATORE 1/8 - 3Pz	
01000108	TAP MRF 1/8 FF 604	RUBINETTO MRF 1/8 F-F 604	
04100042	2WAY SOLENOID 1/8-1/8 220-230V50/60Hz F2 CE TH1xM4	E.V. NC 2VIE 1/8-1/8 220-230V 50/60Hz VITON F2 CEPIEDINO	
R04100042	KIT-2WAY SOLENOID 1/8-1/8 220-230V50/60Hz F2 CE - 1Pc	KIT-E.V. NC 2VIE 1/8-1/8 220-230V 50/60Hz VITON F2- 1Pz	
04100043	2WAY SOLENOID 1/8-1/8 110-120V 60Hz F2 UL TH1xM4	E.V. NC 2VIE 1/8-1/8 110-120V 60Hz VITON F2 ULPIEDINO F	
04100054	3WAY SOLENOID 1/8-1/8 HOSE CLAMP 220-230V50/60Hz \	E.V. NC 3VIE 1/8-1/8 PORTAG. 220-230V 50/60HzVITON F2 C	
R04100054	KIT-3WAY SOLENOID 1/8-1/8 HOSE CLAMP 220-230V50/60	KIT -E.V. NC 3VIE 1/8-1/8 PORTAG. 220-230V 50/60HZVITON	
04100055	3WAY SOLENOID 1/8-1/8 HOSE CLAMP 115V60Hz VITON F	E.V. NC 3VIE 1/8-1/8 PORTAG. 115V 60Hz VITON F2 UL PIE	
05000012	TUBE FASTENING TS 6	RACCORDO PORTATUBO TS 6	
R05000012	KIT-TUBE FASTENING TS 6 - 10Pcs	KIT-RACCORDO PORTATUBO - 10Pz	
05000015	TUBE FASTENING WES 6R 1/8	RACCORDO PORTATUBO WES 6R 1/8	
05000752	TUBEHOLDER CONNECTOR TS 4	RACCORDO PORTATUBO TS 4	
05000762	MALE STRAIGHT TUBE HOLDER JUNCTION GES 6 1/8	RACCORDO PORTATUBO GES 6 1/8 MASCHIO DIRITTO	
R05000762	KIT-MALE STRAIGHT TUBE HOLDER JUNCTION GES 6 1/8	KIT-RACCORDO PORTATUBO GES 6 1/8 MASCHIO DIRITTO	
07300005	ANGULAR RUBBER CLAMP 1/8x7 F1 4.8 ADD 18.06.96	PORTAGOMMA ANG. 1/8x7 F1 4.8 AGG. 18.06.96	
07300203	CYLIND. RUBBER CLAMP 7 1/8	PORTAGOMMA CIL. 7 1/8	
07300364	STRAIGHT FITTING 1/8 M CON. - FITTING.6 340	RACCORDO DIR. 1/8 M CON. - CALZAM.6 340	
R07300364	KIT-STRAIGHT FITTING 1/8 M CON. - FITTING.6 340 - 8Pcs	KIT-RACCORDO DIR. 1/8 M CON. - CALZAM.6 - 8Pz	
07300450	FITTING T 1/8 M-F-M OT-57	RACCORDO T 1/8 M-F-M OT-57	
07300526	HOSE FITTING 1/8M 120 488/B 6	RACCORDO PORTAGOMMA 1/8M 120 488/B 6	
07300714	L FITTING 1/8 M - FITTINGS.6	RACCORDO L 1/8 M - CALZAM.6	
R07300714	KIT-L FITTING 1/8 M - FITTINGS.6 - 6Pcs	KIT-RACCORDO L 1/8 M - CALZAM.6 - 6Pz	
07300718	T FITTING 1/8 F-F-F	RACCORDO T 1/8 F-F-F	
11600001.B	BLUE SILICONE PIPE 4x7,5 60Sh (1mt=41gr) PLATINICO SE	TUBO SILICONE BLU 4x7,5 60Sh (1mt=41gr) PLATINICOSEM	
11600001.W	WHITE SILICONE PIPE 4x7,5 60Sh(1mt=41gr) PLATINICO S	TUBO SILICONE BIANCO4x7,5 60Sh(1mt=41gr) PLATINICO S	
11740003	CALIBRATED TEFLON PIPE 6/4	TUBO TEFLON NSF 6/4 CALIBRATO1 matassa = 50mt	



CODE	DESCRIPTION	DESCRIZIONE
04000576	2 WAY CONNECTOR (3x3)	CONNETTORE 2 VIE (3x3) M LOCK
04000621	ELECTRICAL MOTOR GROUP	IMPIANTO ELETTRICO MOTORE GRUPPO

COD.	DESCRIPTION	DESCRIZIONE	VAL.
00000011	S/S KNURLED WASHER M4 UNI8842/A	RONDELLA INOX M4 ZIGRINATA UNI8842/A	
00000041	GALV HEX HEAD SCREW 8.8 M6X40	VITE AQ 8.8 M6x40 TE ZINC	
00000056	GALV HIGH NUT AQ M8	DADO AQ M8 ALTO ZINCATO	
00000119	SS CROSS HEAD COUNTERSUNK SCREW M4x6 ISO 7046	VITE INOX M4x6 TSPTCR ISO 7046	
00000164	S/S SCREW M3x16 TCEI ISO 4762	VITE INOX M3x16 TCEI ISO 4762	
00000171	S/S HEXAGON SOCKET CS FH CAP SCREW M4x16 UNI 5933	VITE INOX M4x16 TSPEI UNI 5933	
00000199	S/S NUT M4 MEDIUM UNI 5588	DADO INOX M4 MEDIO UNI 5588	
03002041	SENSOR LOCK PLATE TALENTO	LAMIERINO BLOCCA SENSORE TALENTO	
04000562	PWER SUPPLY CABLE H05VV-F CE 3x1,5 PLUG SCHUKO	CAVO ALIM. H05VV-F CE 3x1,5 SPINA SCHUKO 90°	
04000576	2-WAY M LOCK CONNECTOR 4x1	CONNETTORE 2 VIE (2x1) M LOK	
04000621	ELECTRICAL SYSTEM GROUP ENGINE MICROBAR II	IMPIANTO ELETTRICO MOTORE GRUPPO MICROBAR II	
04000702	CENTRAL UNIT PVC PROTECTION PRONTOBAR	PROTEZIONE PVC CENTRALINA PRONTOBAR	
04200043	MICRODOOR/MASTER DRAWER/MICROBAR	MICRO PORTA/CASSETTO MASTER/ MICROBAR/CAFF. ITA	
04200063	MICROSWITCH DOOR 3 POSITIONS	MICROSWITCH PORTA 3 POSIZIONI	
04900652	TRANSFO 230V/18V 150VA 50/60Hz FUSE750mA MICROE	TRASF. COMPL.MICROBAR 230V/18V 150VA 50/60HzCON F	
04900655	BLUE DISPLAY BOARD MICROBAR	SCHEDA DISPLAY BLU MICROBAR	
04900657	16WAY CONNECTION CABLE DISPLAY MICROBAR L=1500	CAVO DI COLLEGAMENTO DISPLAY MICROBAR 16 VIEL=15	
04900666	CONNECTION CABLE KEYBOARD MICROBAR L=1350	CAVO COLLEGAMENTO TASTIERA SCHEDA MICROBAR L=	
04900764	CONTROL BOARD MICROBAR II	CENTRALINA MICROBAR II	
07300341	CENTRAL LOCK VIP S/S NICKEL PLATE L=35 ADD.29.01.98	PERNO BLOCC. CENTRAL. VIP INOXNICHELATO L=35AGG.	
07300342	NICKEL PLATED CONTROL UNIT SUPPORT PIN	PERNO SUPPORTO CENTRAL. VIP NICHELATO	
15050023	CAPACITOR 16mF 450V 40x70 UL FASTON M6,3 TANG M8	CONDENS. 16mF 450V 40x70 UL FASTON M6,3 CODOLOMB	
R15050023	KIT-CAPACITOR 16mF 450V 40x70 UL FASTON M6,3 TANG	KIT-CONDENS. 16mF 450V 40x70 UL FASTON M6,3 CODOL	
9816000000225	MAGNETIC SENSOR L= 400 MICROBAR II	SENSORE MAGNETICO L=400 MICROBAR II	

www.nuovasimonelli.it

Simonelli Group

Via E. Betti, 1
62020 Belforte del Chienti
Macerata - Italy
T +39 07339501
info@simonelligroup.it
www.nuovasimonelli.it

Nuova Distribution Usa

6940 Salashan Pkwy, Bldg, A
Ferndale, WA 98248
T +1 3603662226
info@simonelliusa.com
www.simonelliusa.com

Nuova Simonelli Asia Pacific

61 Kaki Bukit Ave 1
#02-24 Shun Li Industrial Park
Singapore 417943
T +65 68410985
www.nuovasimonelliasiapacific.com

Nuova Distribution France

Hexapole - Actipole - Bat 5
Rue Maurice Herzog
73420 Viviers Du Lac
T +33 (0) 967894852
info@nuovadistribution.fr