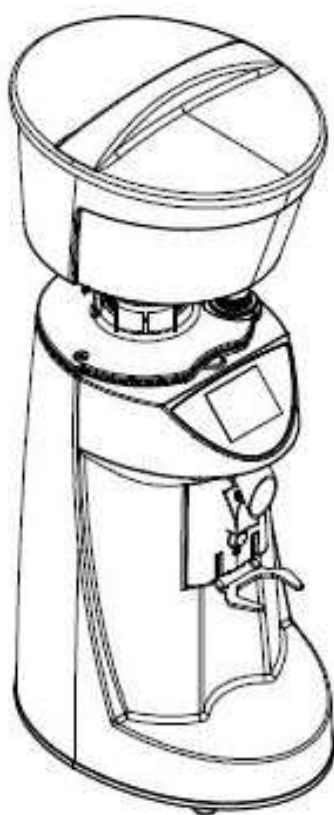


SPARE PARTS BOOK

MDJ



01/12/2023



- T.01 **GRINDERS PARTS**
PARTI MACINADOSATORE
- T.02 **MOTOR+DISPLAY PARTS**
PARTI MOTORE+DISPLAY

» LEGEND :

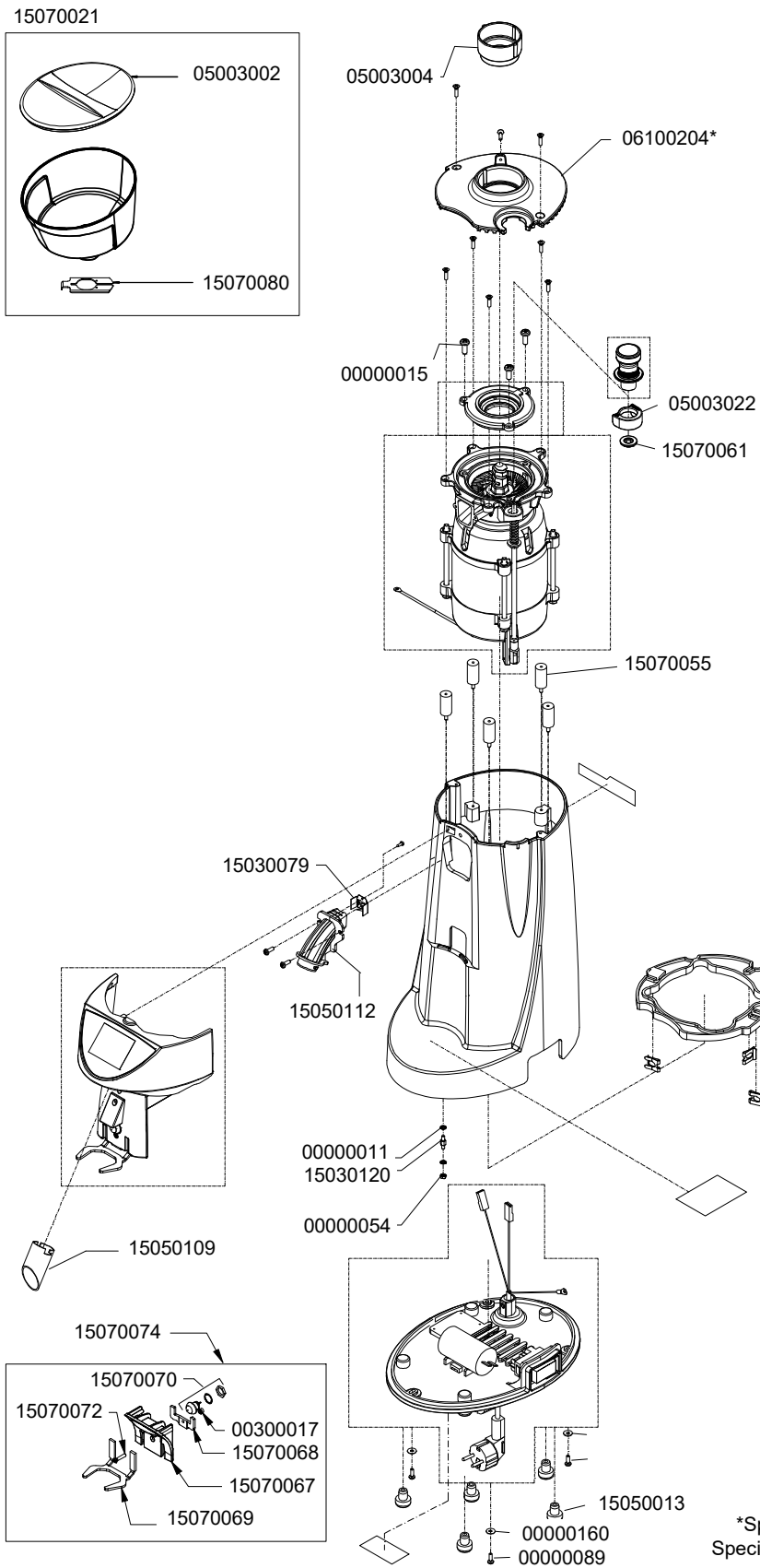
THE CODES WRITTEN IN BOLD REFER TO THE COMPONENTS
EMPLOYED CURRENTLY.

THE CODES USED BEFORE ARE WRITTEN IN CORSIVE WITH INDICATED,
ON THE SIDE, THE END OF VALIDITY DATE.

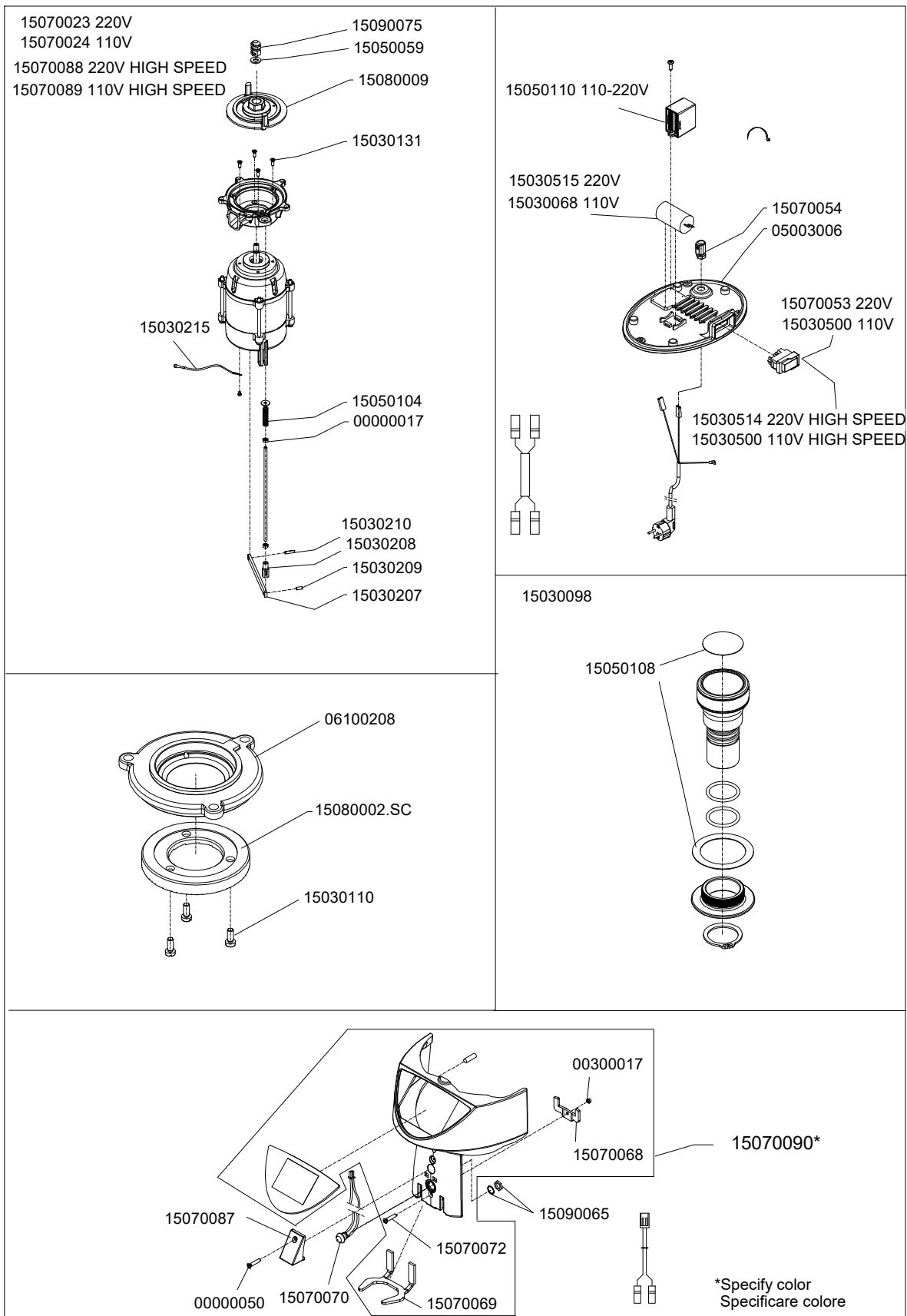
EXAMPLE:

03001531 - 01/09/2007

03001531



COD.	DESCRIPTION	DESCRIZIONE	VAL.
00000011	S/S KNURLED WASHER M4 UNI8842/A	RONDELLA INOX M4 ZIGRINATA UNI8842/A	
00000015	GALV CROSS HEAD CAP SCREW M6x16	VITE AQ M6x16 TC T.CR. ZINC	
00000054	GALV HIGH NUT M4	DADO AQ M4 ALTO ZINCATO	
00000089	S/S CROSSHEAD CAP SCREW M4x12 DIN7985	VITE INOX M4x12 TC TCR DIN7985	
00000160	S/S WASHER D4X12 UNI 6593	RONDELLA INOX D4x12x1 UNI 6593	
00300017	S/S SELF-LOCKING NUT M4 LOW DIN 982	DADO AUTOBLOC INOX M4 BASSO DIN985	
05003002	HOPPER COVER MDJ-MDK	COPERCHIO CAMPANA MDJ-MDK	
05003004	HOPPER ADAPTER MDJ	GUARNIZ. ADATTAMENTO CAMPANA MDJ	
05003022	GRINDER KNOB SPACER MDJ	DISTANZIALE POMELLO MACINATURA MDJ	
15030079	CLUMP CRUSHER FLANGE MYTHOS sp.0,19-MDJ OD 230'	FRANGIA CLUMP CRUSHER MYTHOS sp.0,194100.0083	
15030120	SPACER THERMOSTAT ENGINE MYTHOS ONE 2501.0020	DISTANZIALE TERMOSTATO MOTORE MYTHOS ONE 2501.	
15050013	FOOT MDU/MDX 2501.0004	PIEDINO MDU/MDX 2501.0004	
15050109	GRINDER DISPENSING TUBE MDXS-MDJ 4170.0007A0R00	TUBO EROGAZIONE MACIN. MDXS-MDJ 4170.0007A0R00-X	
15050112	DISPENSING CHANNEL GRIND. MDXS-MDJ 0710.0007A0R00	CANALE EROGAZIONE MACIN. MDXS-MDJ0710.0007A0R00	
15070021	COMPLETE HOPPER MDJ 05013000	CAMPANA COMP. MDJ 05013000	
15070055	ANTIVIBRATION D15xH30xL13 M4 M/F SH.57 6040.0055	ANTIVIBRANTE D15xH30xL13 M4 M/F SH.57 6040.0055	
15070061	ROD BUSHING POSITIONING - MDJ TEFLON 2501.0026	BOCCOLA CENTRAGGIO ASTA x MDJ TEFLON 2501.0026	
15070067	NEW INLAY PORTAFILTER ON DEMAND 4400.0032	NUOVO TASSELLO PORTAFILTRO ON DEMAND 4400.0032	
15070068	FORK BLOCKING STAFF	STAFFA BLOCCAGGIO FORCELLA x ZT/OL 4400.0082	
15070069	ADJUSTABLE FILTER-HOLDER FORK ZT/OL 4400.0089	FORCELLA PORTAFILTR.REGOLABILE ZT/OL 4400.0089	
15070070	KIT MICRO (1000.0007 + CABLE73 +6062.0018-007) 4402.8000	KIT MICRO (1000.0007 + CAV73 +6062.0018-007)4402.8000	
15070072	S/S SCREW M4x20 ROUND HEAD 6060.0146	VITE INOX M4x20 TESTA X SVAS. BOMBATA 6060.0146	
15070074	NEW KIT GROUP BLOCK FORK MDJ OD 4124401.5200	KIT NUOVO GRUP.BLOCCO FORCELLA MDJ OD 4124401.5.	
15070080	BELL TONGUE MDJ-MDXS 5210.0003	LINGUETTA CAMPANA MDJ-MDXS 5210.0003	



COD.	DESCRIPTION	DESCRIZIONE	VAL.
00000017	GALV BOLT AQ M6 HIGH h6 5587	DADO AQ M6 ALTO ZINC. h6 5587	
00000050	CROSS HEAD/CAP SELF-TAPPING CHIPBOARD SCREW 3	VITE AUTOF 3,5x12 TC/T.CR. TRUCIOLARE	
00300017	S/S SELF-LOCKING NUT M4 LOW DIN 982	DADO AUTOBLOC INOX M4 BASSO DIN985	
05003006	BASE CLOSURE MDJ	FONDO CHIUSURA MDJ	
06100208	SUPERIOR BURR HOLDER MDJ	PORTAMACINE SUPERIORE MDJ	
15030068	CAPACITOR 50mF x MYTHOS LOW-SPEED 110V 1012.000	CONDENSATORE 50mF x MYTHOS LOW-SPEED 110V1012.	
15030098	GRINDER REGISTER HANDLE MYTHOS ONE RESETTABL	POMELLO REGISTRO MACIN. MYTHOS ONE AZZERABILE4	
15030110	S/S SCREW M4x8 CUT HEAD 6060.0032	VITE INOX M4x8 TESTA TAGLIO 6060.0032	
15030131	S/S SCREW M6x16 TSP T.CR. 6060.0012	VITE INOX M6x16 TSP TCR 6060.0012	
15030207	MYTHOS LOW REGISTER AUCTION 2570.0005	ASTA REGISTRO MYTHOS LOW 2570.0005	
15030208	FORK REGISTER MDL / C- MCD - MYTHOS 2501.0013	FORCELLA REGISTRO MDL/C- MCD -MYTHOS 2501.0013	
15030209	ELASTIC PIN 5x12 6040.0019	SPINA ELASTICA 5x12 6040.0019	
15030210	ELASTIC PIN 5x20 6040.0001	SPINA ELASTICA 5x20 6040.0001	
15030215	EYELET CABLE 4.2 30cm GROUND CAV21	CAVO OCCHIELLO 4.2 30cm TERRA CAV21	
15030500	SWITCH 110V MYTHOS MY VA 1011.0054	INTERRUTTORE 110V MYTHOS MY VA1011.0054	
15030514	SWITCH 220VAC 1011.0055	INTERRUTTORE 220Vac1011.0055	
15030515	CAPACITOR MF. 16/450 1013.1600	CONDENSATORE MF.16/4501013.1600	
15050059	S/S WASHER M10 10,5x21 UNI6592 6061.0001	RONDELLA INOX M10 10,5x21 UNI6592 6061.0001	
15050104	GRINDING REGULATOR SPRING ROD 6002.7360	MOLLA TIRANTE REG. MACINATURA 6002.7360	
15050108	GRINDER REGISTER KNOB LABEL KIT MDXS-MDJ E80+E4	KIT ETICHETTE POMELLO REGISTRO MACIN. MDXS-MDJE	
15050110	POWER SUPPLY CARD 220-110V MDXS/MDJ 0710.0220A0	SCHEDA ALIMENTAZ. 220-110V MDXS/MDJ0710.0210A0R0C	
15070023	ENGINE SET MDJ 230V	ASSIEME MOTORE MDJ 230V	
15070024	ENGINE SET MDJ 115V	ASSIEME MOTORE MDJ 115V	
15070053	SWITCH 220V MDJ-MDXS-M2 1011.0052	INTERUTTORE 220V MDJ-MDXS-M2 1011.0052**AD ESAUR	
15070068	FORK BLOCKING STAFF	STAFFA BLOCCAGGIO FORCELLA x ZT/OL 4400.0082	
15070069	ADJUSTABLE FILTER-HOLDER FORK ZT/OL 4400.0089	FORCELLA PORTAFILTR.REGOLABILE ZT/OL 4400.0089	
15070070	KIT MICRO (1000.0007 + CABLE73 +6062.0018-007) 4402.8	KIT MICRO (1000.0007 + CAV73 +6062.0018-007)4402.8000	
15070072	S/S SCREW M4x20 ROUND HEAD 6060.0146	VITE INOX M4x20 TESTA X SVAS. BOMBATA 6060.0146	
15070087	FILTER HOLDER PLUG MDJ-MDXS 0710.0023A0R00-XXG	TASSELLO PORTAFILTRO MDJ-MDXS 0710.0023A0R01-XXC	
15070088	COMPLETE ENGINE 220V MDJ HIGH SPEED	MOTORE COMPLETO 220V MDJ HIGH SPEEDRIC-MO2.906I	
15070089	COMPLETE ENGINE 110V MDJ HIGH SPEED	MOTORE COMPLETO 110V MDJ HIGH SPEEDRIC-MO1.906I	
15070090.NOV	DISPLAY KIT MDJ PAINTED MATT BLACK	KIT DISPLAY MDJ-MDJ HIGH SPEED NERO OPACO VERNIC	
15070090.BV	DISPLAY KIT MDJ PAINTED WHITE	KIT DISPLAY MDJ-MDJ HIGH SPEED BIANCO VERNICIATO	
15070090.RV	DISPLAY KIT MDJ PAINTED RED	KIT DISPLAY MDJ-MDJ HIGH SPEED ROSSO VERNICIATO	
15080002.SC	BURR PAIR D.75 + BOX	COPPIA MACINE D.75 + SCATOLA	
15080009	INFERIOR BURR HOLDER 75 2520.0005-RIC	PORTAMACINA INFERIORE 75 2520.0005-RIC	
15090065	NUT+WASHER KIT	KIT DADO+ROSETTA ANTISV PER 1000.00076062.0018-000	
15090075	NUT-STOP BURR HOLDER	DADO FERMA PORTAMACINE 2501.0003-R04	

www.nuovasimonelli.it

Simonelli Group

Via E. Betti, 1
62020 Belforte del Chienti
Macerata - Italy
T +39 07339501
info@simonelligroup.it
www.nuovasimonelli.it

Nuova Distribution Usa

6940 Salashan Pkwy, Bldg, A
Ferndale, WA 98248
T +1 3603662226
info@simonelliusa.com
www.simonelliusa.com

Nuova Simonelli Asia Pacific

61 Kaki Bukit Ave 1
#02-24 Shun Li Industrial Park
Singapore 417943
T +65 68410985
www.nuovasimonelliasiapacific.com

Nuova Distribution France

Hexapole - Actipole - Bat 5
Rue Maurice Herzog
73420 Viviers Du Lac
T +33 (0) 967894852
info@nuovadistribution.fr