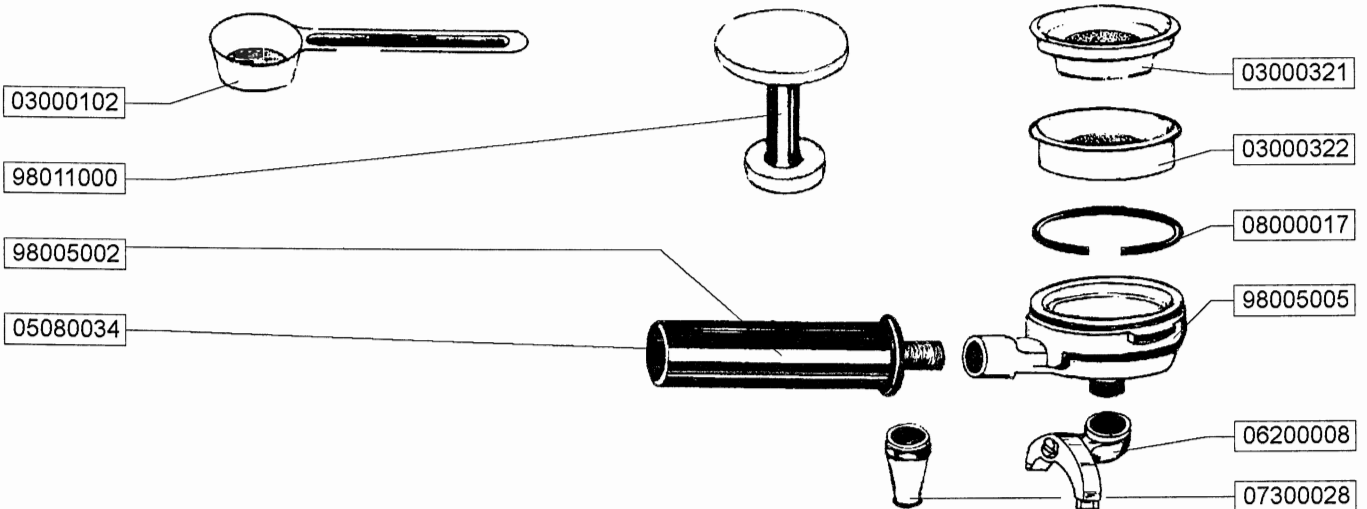
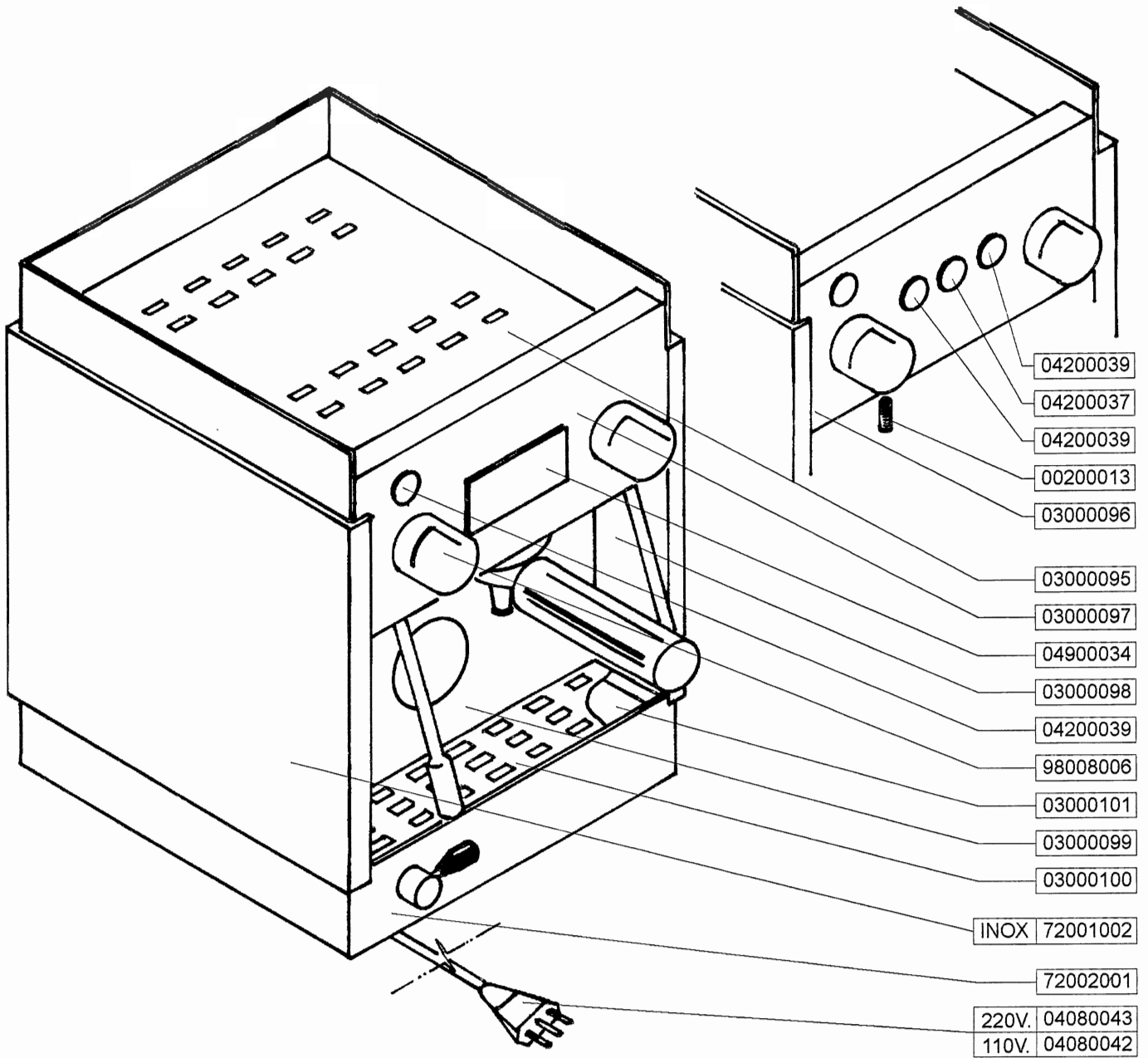
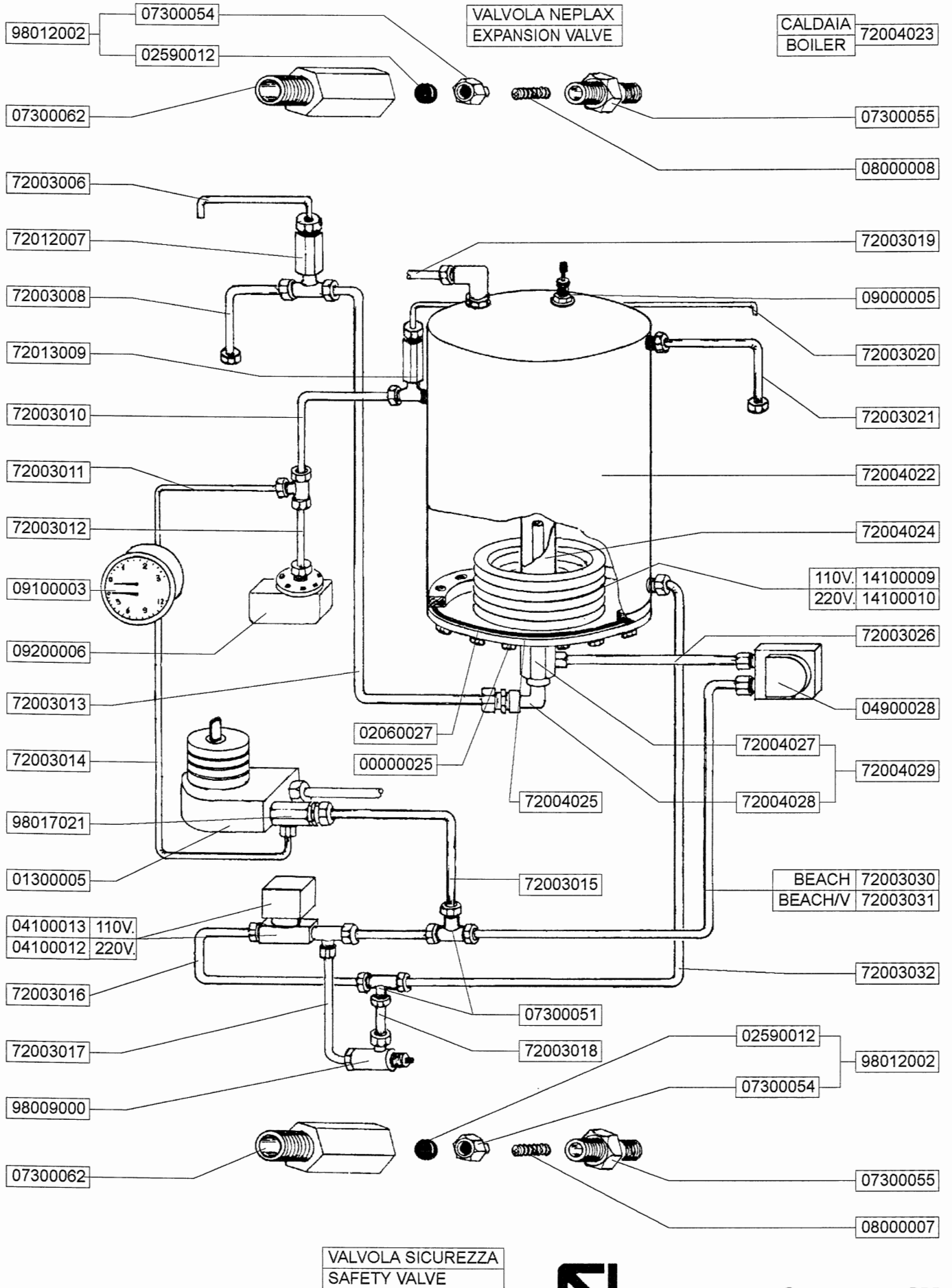


CARENA BEACH / PORTAFILTRO
CABINET BEACH / FILTER

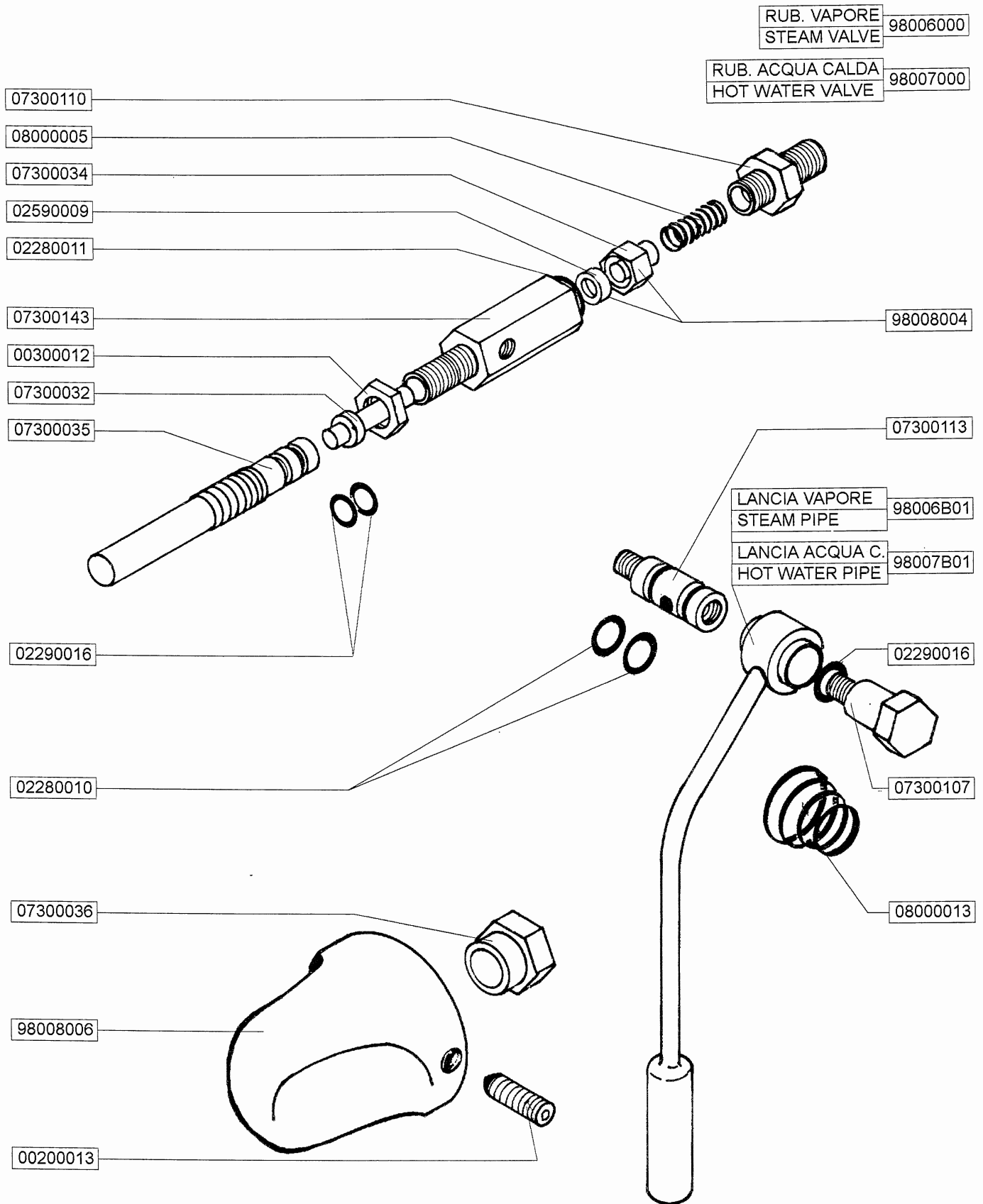


PARTI ELETTRICHE
ELECTRIC PARTS



RUBINETTO VAPORE, RUBINETTO ACQUA CALDA

STEAM VALVE, HOT WATER VALVE



PARTI ELETTRICHE - IDRAULICHE
ELECTRIC - HYDRAULIC PARTS

