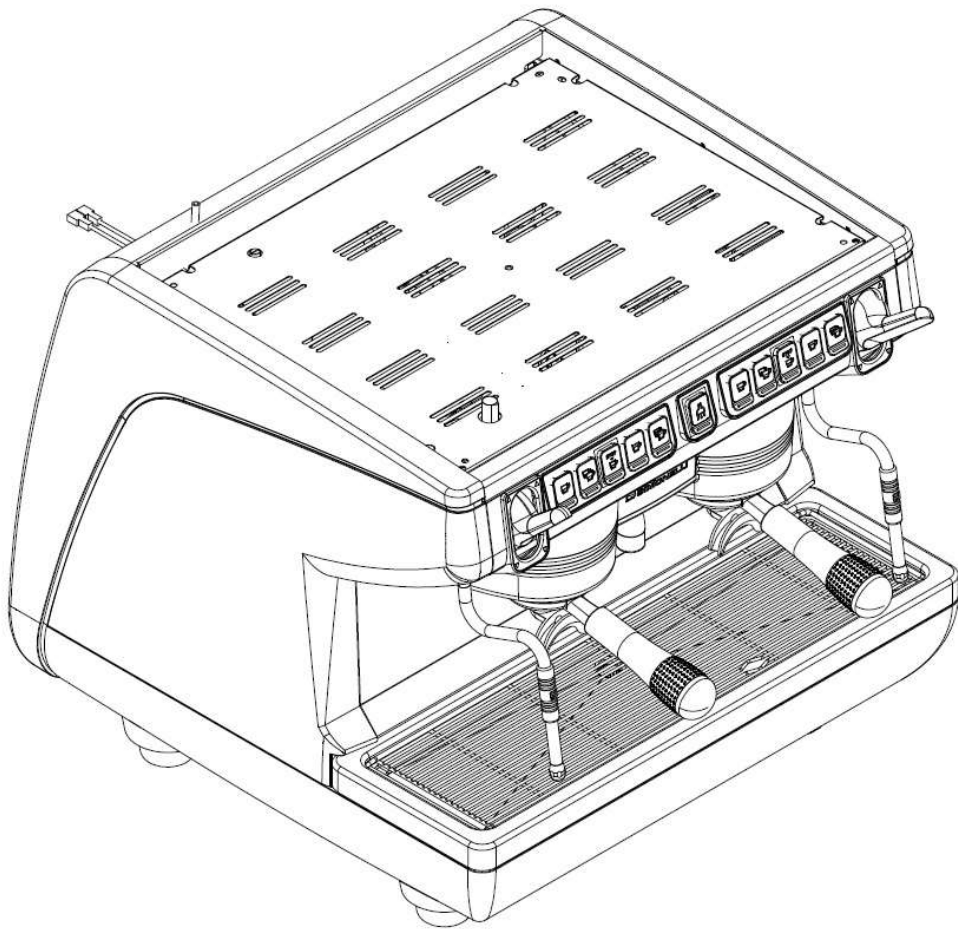


# SPARE PARTS BOOK

**APPIA**  
*Life.*



**COMPACT**

29/11/2023

- T.01 **CABINET PARTS**  
COMPONENTI GRUPPO CARENA
- T.02 **CONTROL PANEL ASSEMBLY**  
ASSIEME PULSANTIERA
- T.03 **POURING UNIT GROUP PARTS**  
PARTI GRUPPO EROGAZIONE
- T.04 **HYDRAULIC PARTS**  
COMPONENTI IDRAULICI
- T.05 **STEAM TAPS PARTS**  
PARTI RUBINETTI VAPORE
- T.06 **HOT WATER TAPS PARTS**  
PARTI RUB. ACQUA CALDA
- T.07 **EASYCREAM PARTS**  
COMPONENTI EASYCREAM
- T.08 **HYDRAULIC GROUP PARTS**  
COMPONENTI GRUPPO IDRAULICO
- T.08-bis **FLOWMETERS COMPONENTS**  
COMPONENTI DOSATORI
- T.09 **BOILER GROUP PARTS**  
COMP. GRUPPO CALDAIA
- T.10 **FRAME PARTS**  
COMPONENTI TELAIO
- T.11 **ELECTRONIC & ELECTRICAL PARTS**  
COMP. ELETTRICI ED ELETTRONICI

» LEGEND :

THE CODES WRITTEN IN BOLD REFER TO THE COMPONENTS  
EMPLOYED CURRENTLY.

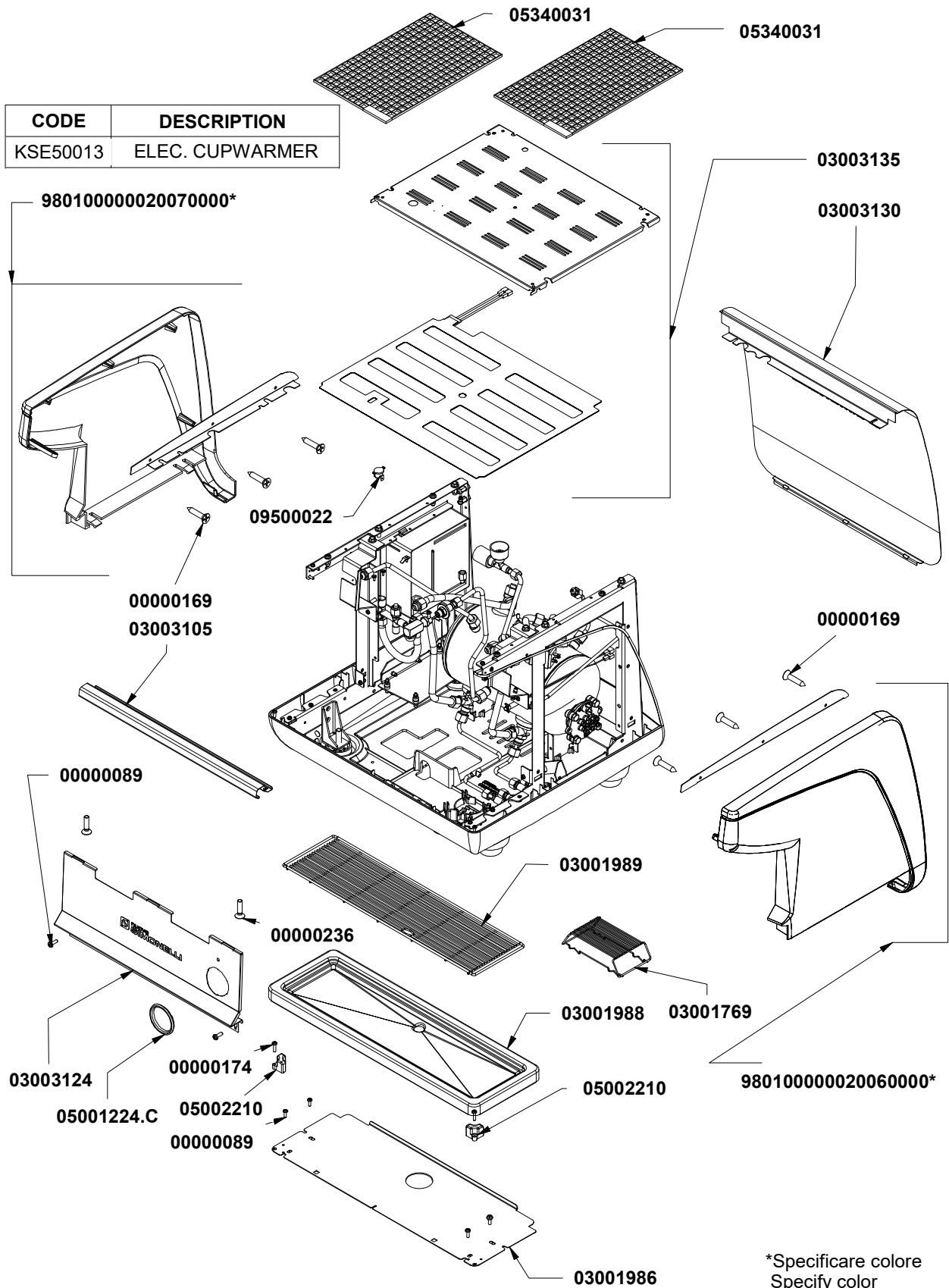
THE CODES USED BEFORE ARE WRITTEN IN CORSIVE WITH INDICATED,  
ON THE SIDE, THE END OF VALIDITY DATE.

EXAMPLE:

*03001531 - 01/09/2007*

**03001531**

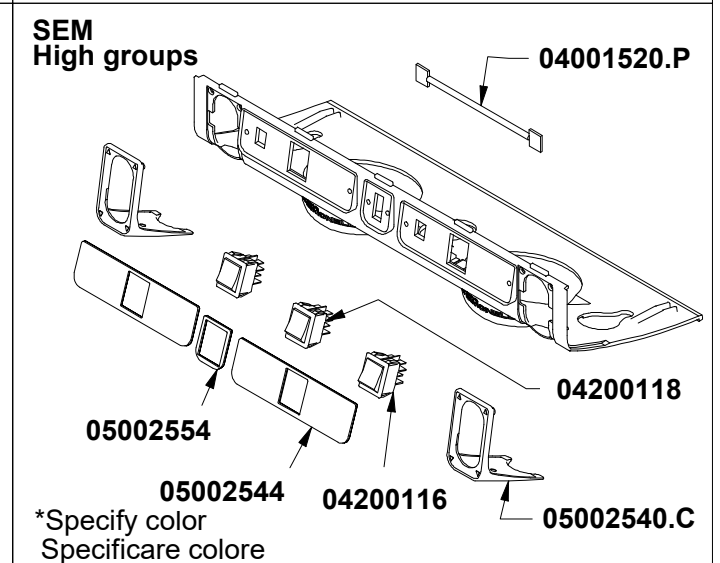
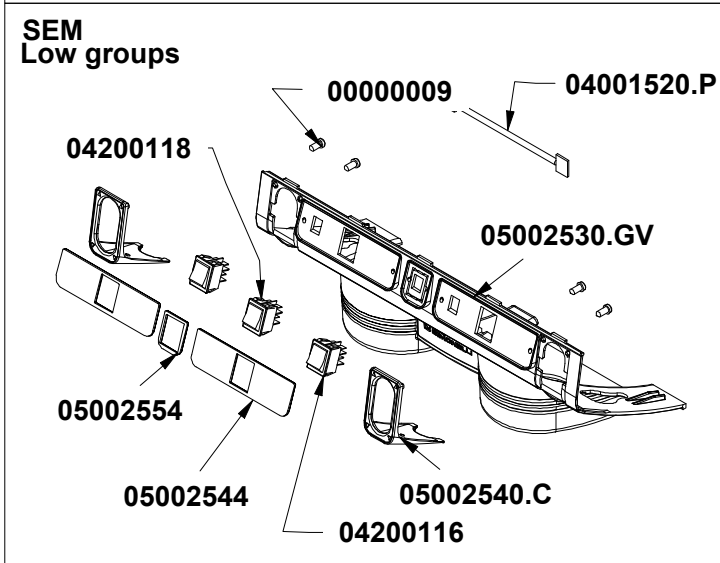
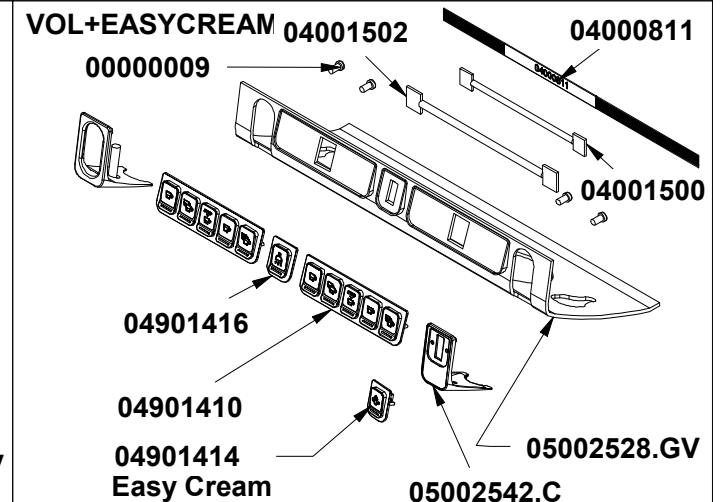
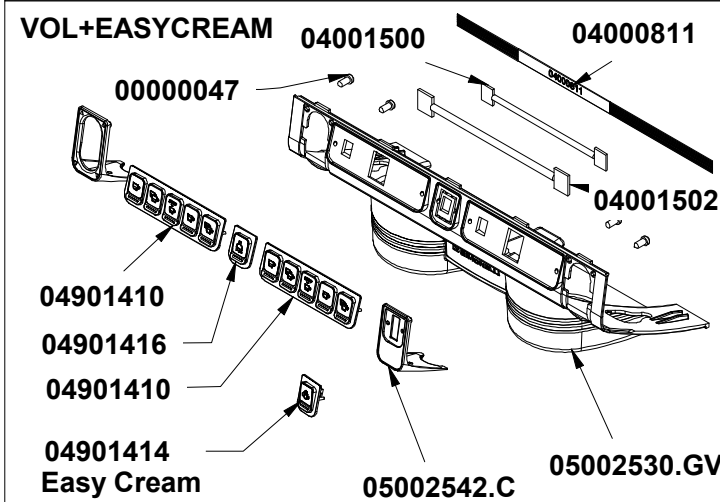
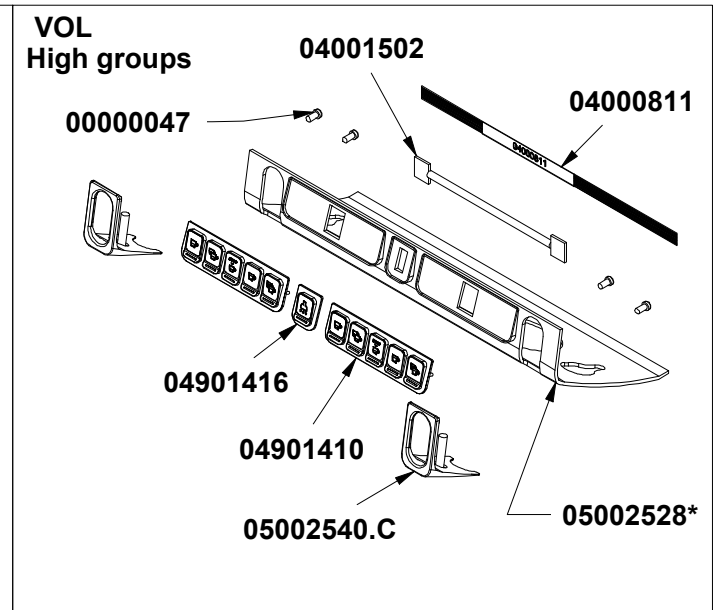
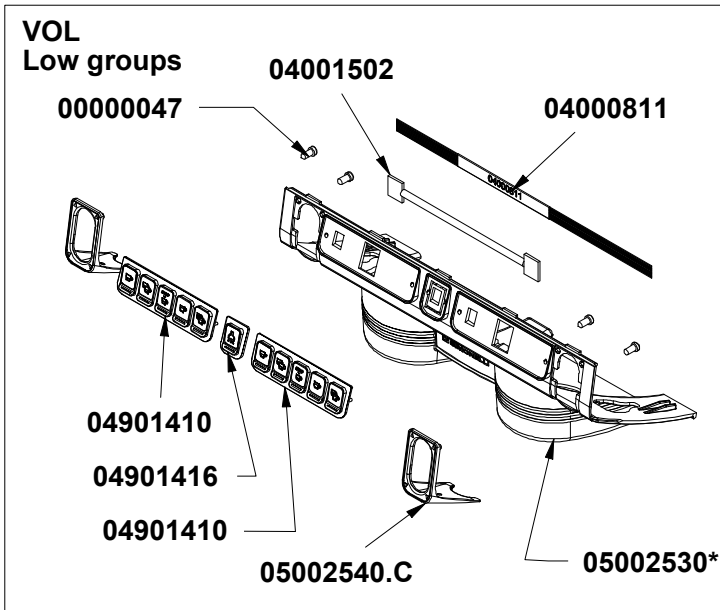
CODE	DESCRIPTION
KSE50013	ELEC. CUPWARMER



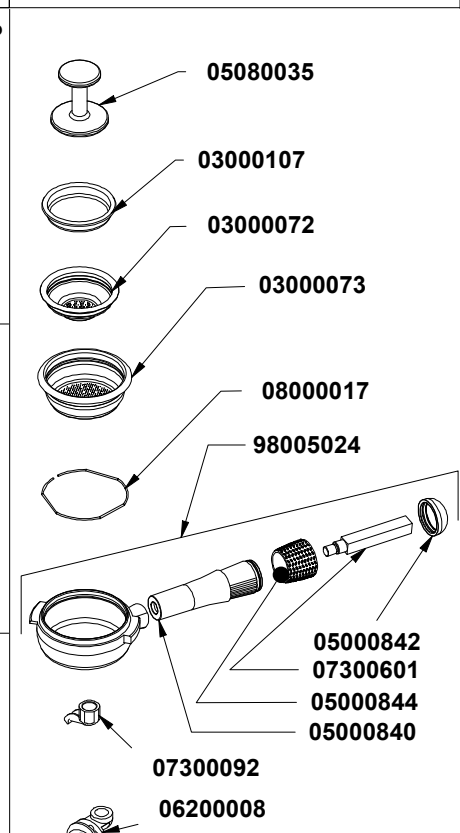
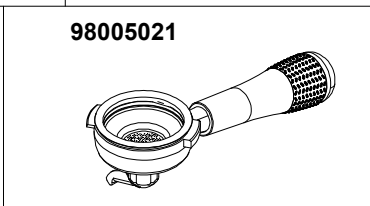
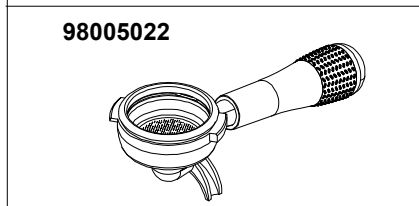
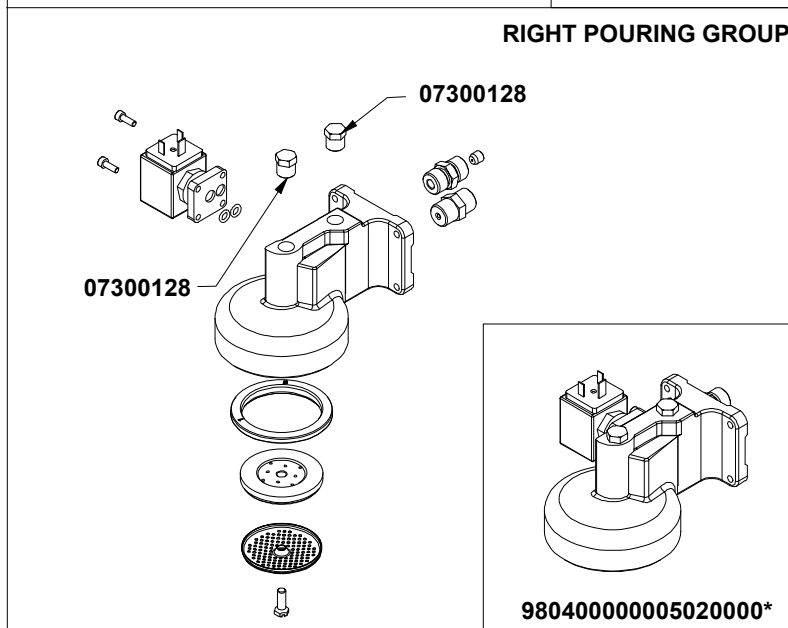
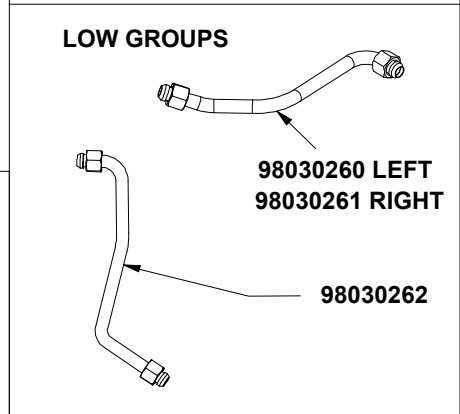
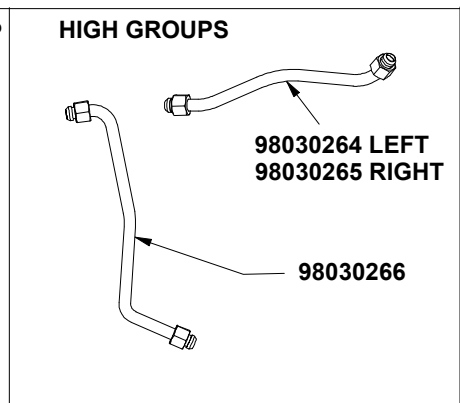
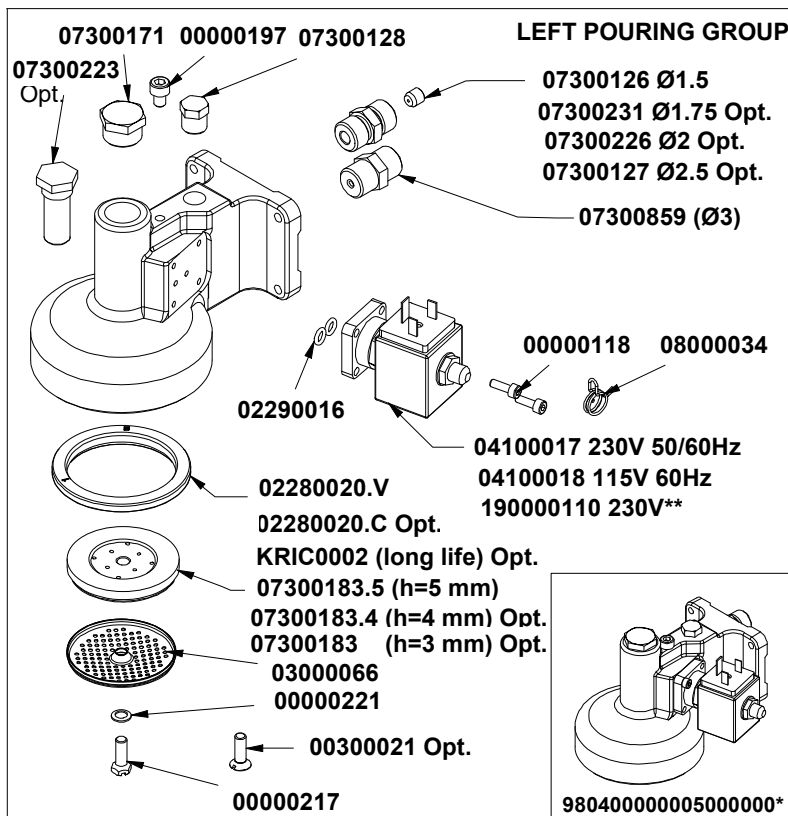
\*Specificare colore  
 Specify color

T.01

COD.	DESCRIPTION	DESCRIZIONE	VAL.
00000089	S/S CROSSHEAD CAP SCREW M4x12 DIN7985	VITE INOX M4x12 TC TCR DIN7985	
00000169	S/S SELF-TAPPING SCREW 2,9x13 TSP/TCR	VITE AUTOF INOX 2,9x13 TSP/TCR	
00000174	S/S CROSSHEAD CAP SCREW M4x16	VITE INOX M4x16 TC TCR	
00000236	S/S SCREW M4X16 TSP TCR	VITE INOX M4x16 TSP TCR	
03001769	S/S RAISED CUP STAND	SUPP. TAZZINE INOX	
R03001769	KIT-S/S RAISED CUP STAND - 1Pcs	KIT-SUPPORTO TAZZINE INOX - 1Pz	
03001986	SAFETY LOCK 2 GR APPIA COMPACT	CHIUSURA SICUREZZA 2 GRUPPI APPIA COMPACT* AD ES	
03001988	DRIP TRAY APPIA COMPACT	PIATTO RACCOGLIACQUA APPIA COMPACT	
03001989	WORKTOP NET 2 GR APPIA COMPACT	RETINA PIANO LAVORO 2 GR.APPIACOMPACT	
03003105	COMMAND SUPPORT 2GR APPIA19 COMPACT	INVOLUCRO COMANDI 2GR APPIA19 COMPACT(UBICAZIOI	
03003124	FRONTAL PANEL LOW GR APPIA19 COMPACT	PARETE FRONTALE GR.BASSI APPIA19 COMPACT(UBICAZ	
03003130	BACKSIDE FRAME APPIA19 COMPACT	CARENA RETRO APPIA19 COMPACT(UBICAZIONE F16006)	
03003135	CUPHOLDER PLATE 2GR APPIA19 COMPACT	PIATTO PORTATAZZE 2GR APPIA19 COMPACT(UBICAZION	
05001224.C	WATER GAUGE PLATE AURELIA II CHROME	MOSTRINA MANOMETRO AURELIA II CROMATA	
05002210	FLAT ANGULAR DRIP TRAY SUPPORT	SUPPORTO ANGOLARE PIATTO RACCOGLIACQUA	
05340031	NYLON GRILL 370x230	GRIGLIA MODULO 370x230	
R05340031	KIT-NYLON GRILL 370x230 - 2Pcs	KIT-GRIGLIA MODULO 370x230 - 2Pz	
09500022	AUTOMATIC THERMOSTAT 75°C BROWN DRIPPING	TERMOSTATO R.AUT. 75°C GOCCIOLATURA MARRONE	
980100000020060001	RIGHT SIDE PANEL SET BLACK	ASS. FIANCO DX NERO	
980100000020060002	RIGHT SIDE PANEL SET WHITE	ASS. FIANCO DX BIANCO	
980100000020060003	RIGHT SIDE PANEL SET RED	ASS. FIANCO DX ROSSO	
980100000020060004	RIGHT SIDE PANEL SET MATT BLACK	ASS. FIANCO DX NERO OPACO	
980100000020070001	LEFT SIDE PANEL SET BLACK	ASS. FIANCO SX NERO	
980100000020070002	LEFT SIDE PANEL SET WHITE	ASS. FIANCO SX BIANCO	
980100000020070003	LEFT SIDE PANEL SET RED	ASS. FIANCO SX ROSSO	
980100000020070004	LEFT SIDE PANEL SET MATT BLACK	ASS. FIANCO SX NERO OPACO	
KSE50013	ELECTRICAL CUPWARMER APPIA LIFE COMPACT 2GR	SCALDATAZZE ELETTRICO APPIA LIFE COMPACT 2GR.	



COD.	DESCRIPTION	DESCRIZIONE	VAL.
00000009	GALV SELF-TAPPING SCREW 3,5x6,5 MUSTAD	VITE AUTOF 3,5x8 Z.B. HILO TC TCR	
00000047	CROSS HEAD/CAP SELF-TAPPING SCREW 2,9x6,5	VITE AUTOF 2,9x6,5 TC/T.CR.	
04000811	CABLE 14 WAY KEYPAD 2GR APPIA COMPACT	CAVO 14 VIE COLL.PULSANTIERA 2GR APPIA COMPACT	
04001500	CONNECTION CABLE REMOTE KEY - CENTRAL BOARD A	CAVO COLL. TASTO REMOTO - CENTRALINA APPIA19 EAS	
04001520.P	KEYPAD WIRING 2GR S APPIA19 COMPACT	CABLAGGIO PULSANTIERA 2GR S APPIA19 COMPACT	
04200110	BLUE LIGHT WHITE BIPOLAR SWITCH UL 16A W/O PRINT	INTERRUTTORE BIPOLARE LUMINOSO BIANCO RETTANG	
04200116	BLUE LIGHT WHITE BIPOLAR SWITCH UL 16A COFFEE	INTERRUTTORE BIPOLARE LUMINOSO BIANCO RETTANG	
04200118	BLUE LIGHT WHITE BIPOLAR SWITCH UL 16A HOTWATER	INTERRUTTORE BIPOLARE LUMINOSO BIANCO RETTANG	
04901410	5KEY DISPENSING KEYPAD APPIA19 V	SCHEDA EROG. 5 TASTI APPIA19 V	
R04901410	KIT-5KEY DISPENSING KEYPAD APPIA19 V-1Pcs	KIT -SCHEDA EROG. 5 TASTI APPIA19 V-1PZ	
04901414	STEAM DISPENSING KEY APPIA19 V	SCHEDA EROGAZ. 1 TASTO VAPORE APPIA19 V	
R04901414	KIT-STEAM DISPENSING KEY APPIA19 V-1Pcs	KIT -SCHEDA EROGAZ. 1 TASTO VAPORE APPIA19 V-1PZ	
04901416	WATER DISPENSING KEY APPIA19 V	SCHEDA EROGAZ. 1 TASTO ACQUA APPIA19 V	
05002528.BV	RAISED GROUPCOVER KEYPAD APPIA19 COMPACT - PAINT	PULSANT. COPRIGRUPPI ALTI APPIA19 COMPACT BIANCO	
05002528.GV	GROUPCOVER KEYPAD RAISED GR. STEEL GREY	PULSANT. COPRIGRUPPI ALTI APPIA19 COMPACT GRIGIO:	
05002528.N	RAISED GROUPCOVER KEYPAD APPIA19 COMPACT - BLACK	PULSANT. COPRIGRUPPI ALTI APPIA19 COMPACT NERO	
05002528.NOV	RAISED GROUPCOVER KEYPAD APPIA19 COMPACT - PAINT	PULSANT. COPRIGRUPPI ALTI APPIA19 COMPACT NERO C	
05002528.RV	GROUPCOVER KEYPAD RAISED GR APPIA19 COMP. PAINT	PULSANT. COPRIGRUPPI ALTI APPIA19 COMPACT ROSSO	
05002530.BV	LOW GROUPCOVER KEYPAD APPIA19 COMPACT - PAINT	PULSANT. COPRIGRUPPI BASSI APPIA19 COMPACT BIANCO	
05002530.GV	GROUPCOVER KEYPAD LOW GR. STEEL GREY	PULSANT. COPRIGRUPPI BASSI APPIA19 COMPACT GRIGIO	
05002530.N	LOW GROUPCOVER KEYPAD APPIA19 COMPACT - BLACK	PULSANT. COPRIGRUPPI BASSI APPIA19 COMPACT NERO	
05002530.NOV	LOW GROUPCOVER KEYPAD APPIA19 COMPACT - PAINT	PULSANT. COPRIGRUPPI BASSI APPIA19 COMPACT NERO	
05002530.RV	LOW GROUPCOVER KEYPAD APPIA19 COMPACT -PAINT	PULSANT. COPRIGRUPPI BASSI APPIA19 COMPACT ROSSO	
05002540.C	APPIA19 STEAM KNOB CHROME PLATED COVER	MOSTRINA MANOPOLA VAPORE APPIA19 CROMATA	
05002542.C	APPIA19 EASYCREAM CHROME PLATED COVER	MOSTRINA PULSANTE EASY CREAM APPIA19 CROMATA	
05002544	DISPENSING KEY COVER APPIA19S	MOSTRINA TASTO EROG. APPIA19 S	
05002554	KEYS NET APPIA19 S 1GR. - COMPACT	MOSTRINA TASTI APPIA19 S 1GR - COMPACT	
04001502	CONNECTION CABLE REMOTE KEY - KEYBOARD APPIA19	CAVO COLL. TASTO REMOTO - PULSANTIERA APPIA19	
05002528.GV	GROUPCOVER KEYPAD RAISED GR. STEEL GREY	PULSANT. COPRIGRUPPI ALTI APPIA19 COMPACT GRIGIO:	
05002530.GV	GROUPCOVER KEYPAD LOW GR. STEEL GREY	PULSANT. COPRIGRUPPI BASSI APPIA19 COMPACT GRIGIO	

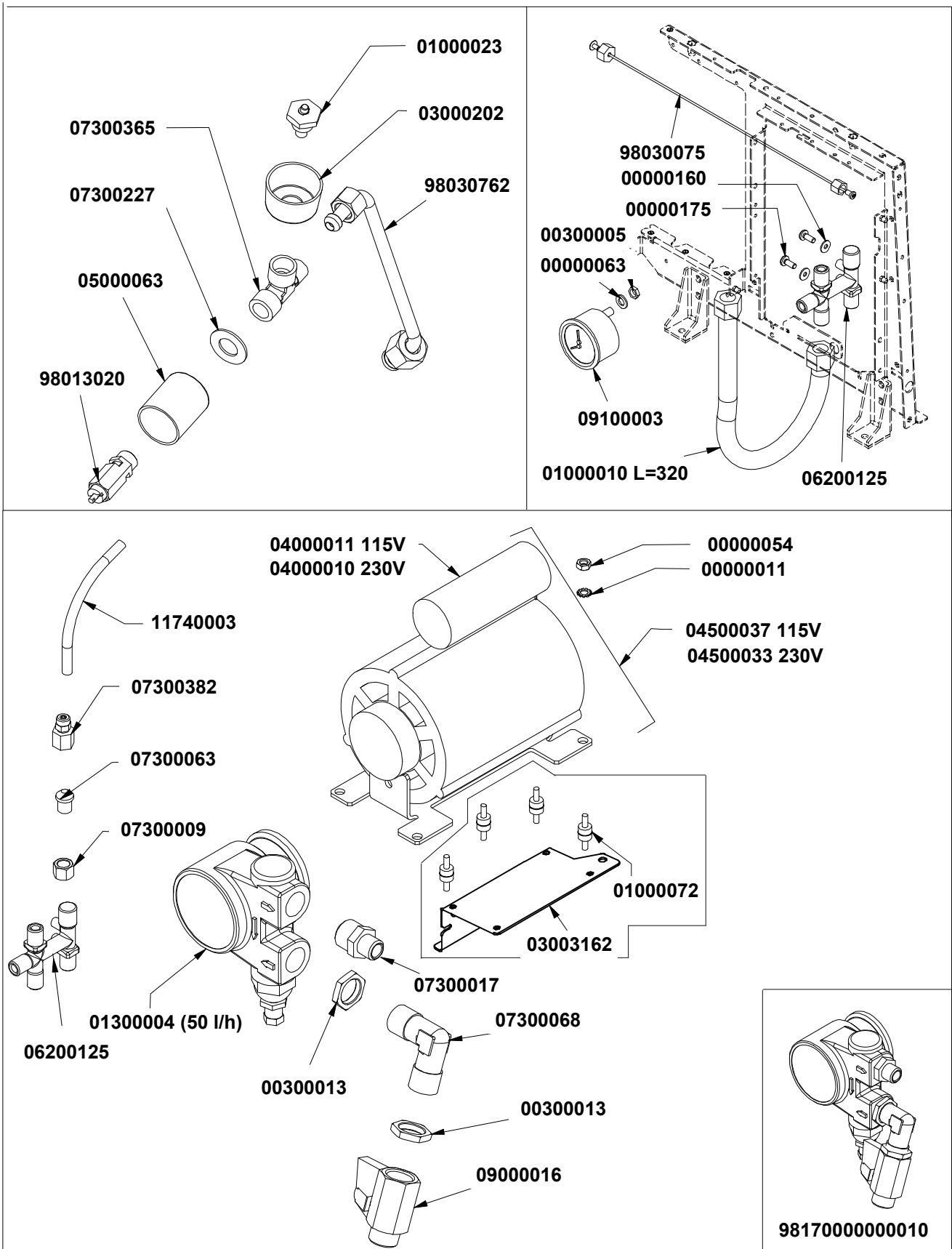


\*Specificare versione  
 Specify version

\*\*North America Market  
 Mercato Nord America

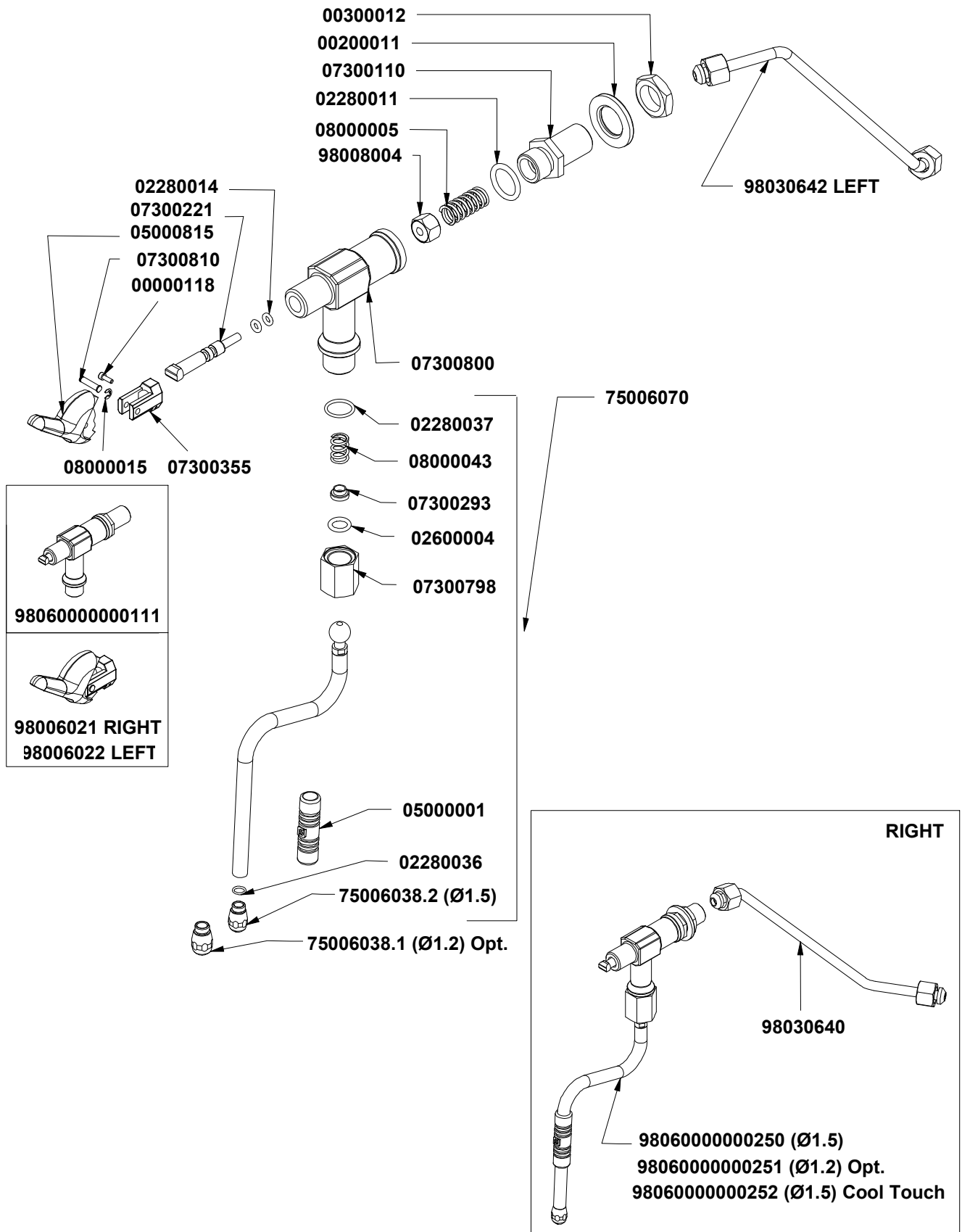
COD.	DESCRIPTION	DESCRIZIONE	VAL.
00000118	S/SHEx SOCKET CAP SCREW M4x12 5931	VITE INOX M4x12 TCEI 5931	
00000197	S/S HEX SOCKET CAP SCREW M6x8 ISO 4762	VITE INOX M6x8 TCEI ISO 4762	
00000217	S/S SCREW TE CH9 + TC LT=20 FOR SHOWER	VITE INOX M6 LT=20 TE CH9 + TCx DOCCIA	
R00000217	KIT-S/S SCREW TE CH9 + TC LT=20 FOR SHOWER - 10Pcs	KIT-VITE INOX M6 LT=20 + TCx DOCCIA - 10Pz	
00000221	S/S SECURITY FLAT WASHER INOX M6 CONICAL	RONDELLA DI SICUREZZA INOX M6 SCHNORR CONICA	
00300021	S/S SLT COUNTERSUNK SCREW M6X18 DIN963	VITE INOX M6x18 TSP TC DIN963	
R00300021	KIT-S/S SLT COUNTERSUNK SCREW M6X18 - 30Pcs	KIT-VITE INOX M6x18 - 30Pz	
02280020.C	GROUP GASKET 72X57X6.8 TYPE C 72/75 ShA	GUARNIZ. SOTTOCOPPA 72X57X6.8 TIPO C 72/75 ShA	
R02280020.C	KIT-GROUP GASKET 72X57X6.8 ShA - 15Pcs	KIT-GUARNIZ. SOTTOCOPPA 72X57X6.8 TIPO C - 15Pz	
02280020.V	CONICAL GROUP GASKET	GUARNIZ. SOTTOCOPPA CONICA H7.8 V - NBR 82/84 ShA	
R02280020.V	KIT-CONICAL GROUP GASKET - 10Pcs	KIT-GUARNIZ. SOTTOCOPPA CONICA H7.8 V - NBR- 10Pz	
02290016	GASKET O RING D9,5 R5 SIL RED	GUARN. OR D 9,5 R5 SILICONE R.	
R02290016	KIT-GASKET O RING D9,5 SIL RED - 30Pcs	KIT-GUARN. OR D 9,5 SILICONE R. - 30Pz	
03000066	S/S SHOWER 56X5,5X6 WELDED	DOCCIA INOX 56x5,5x 6 SALDATA Aisi304	
R03000066	KIT-S/S SHOWER 56X5,5X6 WELDED - 5Pcs	KIT-DOCCIA INOX 56x5,5x 6 SALDATA Aisi304 - 5Pz	
03000072	FILTER ONE COFFEE HIGH 7gr	FILTRO 1 CAFFE' ALTO 7gr.	
R03000072	KIT-FILTER ONE COFFEE HIGH 7gr - 3Pcs	KIT-FILTRO 1 CAFFE' ALTO 7gr. - 3Pz	
03000073	FILTER TWO COFFEE HIGH 14gr	FILTRO 2 CAFFE' ALTO 14gr.	
R03000073	KIT-FILTER TWO COFFEE HIGH 14gr - 3Pcs	KIT-FILTRO 2 CAFFE' ALTO 14gr. - 3Pz	
03000107	BLIND FILTER	FILTRO CIECO	
R03000107	KIT-BLIND FILTER - 8Pcs	KIT-FILTRO CIECO - 8Pz	
04100017	3WAY SOLENOID DIS BASE 1/8220-230V50/60Hzz F1.5 CE	E.V. NC 3VIE Basetta SCAR. 1/8220-230V 50/60HzRUBY F	
R04100017	KIT-3WAY SOLENOID DIS BASE 1/8220-230V50/60Hzz - 1P	KIT-E.V. NC 3VIE Basetta SCAR. 1/8220-230V 50/60Hz- 1Pz	
04100018	3WAY SOLENOID DIS BASE 1/8110-120V60Hz F1.6 UL	E.V. NC 3VIE Basetta SCAR. 1/8110-120V 60Hz RUBYF1.6	
05000840	FILTER HOLDER KNOB 2003 BLACK	MANOPOLA PORTAFILTRO 2003 NERO	
R05000840	KIT-FILTER HOLDER KNOB 2003 BLACK-8Pcs	KIT-MANOPOLA PORTAFILTRO 2003 NERO-8Pz	
05000842	FILTER HOLDER KNOB LOCK 2003	CHIUSURA MANOPOLA PORTAFILTRO 2003	
R05000842	KIT-FILTER HOLDER KNOB LOCK - 20Pcs	KIT-CHIUSURA MANOPOLA PORTAFILTRO - 20Pz	
05000844	BLACK RUBBER COVER FILTER HOLDER KNOB	RIVESTIMENTO GOMMA NERA MANOPOLA PORTAFILTRO	
05080035	COFFEE TAMPER ABS BLACK	PRESSA CAFFE' ABS NERO	
06200008	2WAY OPEN NOZZLE	BECCO DUE VIE OPEN	
R06200008	KIT-2WAY OPEN NOZZLE - 1Pcs	KIT-BECCO DUE VIE OPEN - 1Pz	
07300092	1WAY CURVED OPEN NOZZLE	BECCO UNA VIA CURVO OPEN	
R07300092	KIT-1WAY CURVED OPEN NOZZLE - 2Pcs	KIT-BECCO UNA VIA CURVO OPEN - 2Pz	
07300126	GIGLEUR M8x8 F.1,5 OT-57 +TEA	GIGLER M8x8 F.1,5 OT-57 +TEA	
07300127	GIGLEUR M8x8 F.2,5	GIGLER M8x8 F.2,5	
07300128	PLUG 1/4 GAS ADD.31.01.89 OT-57	TAPPO 1/4 GAS AGG.31.01.89 OT-57	
07300171	DISPENSING GROUP PLUG OT M20X1,5	TAPPO OT M20X1,5 GR. EROG.	
07300183	GROUP DIFFUSER h=3 OT-57	PADIGLIONE GRUPPO h=3 OT-57	
R07300183	KIT-GROUP DIFFUSER h=3 - 2Pcs	KIT-PADIGLIONE GRUPPO h=3 - 2Pz	
07300183.4	GROUP DIFFUSER h=4 OT-58	PADIGLIONE GRUPPO h=4 OT-58	
R07300183.4	KIT-GROUP DIFFUSER h=4 - 2Pcs	KIT-PADIGLIONE GRUPPO H=4 - 2Pz	
07300183.5	GROUP DIFFUSER h=5 OT-58	PADIGLIONE GRUPPO h=5 OT-58	
R07300183.5	KIT-GROUP DIFFUSER h=5 - 2Pcs	KIT-PADIGLIONE GRUPPO h=5 - 2Pz	
07300223	INFUSION CHAMBER COVER PLUG PREMIER GR	TAPPO CHIUS. CAMERA INFUSIONE GR. PREMIER	

COD.	DESCRIPTION	DESCRIZIONE	VAL.
07300226	GIGLEUR M8X8 F.2 OT-57 + TEA	GIGLER M8x8 F.2,0 OT-57 +TEA	
07300231	GIGLEUR M8X8 F.1,8	GIGLER M8x8 F.1,8	
07300601	FILTER HOLDER KNOB INSERTION STAINLESS	INSERTO MANOPOLA PORTAFILTRO 2003 INOX (Aisi303)**1	
07300859	FITTING 3/8M-3/8M GIGLER F.3 OT-57	RACCORDO 3/8M-3/8M GIGLER F.3 OT-57	
08000017	S/S FILTER LOCKING SPRING	MOLLA BLOCCA FILTRO ACC.INOX	
R08000017	KIT-S/S FILTER LOCKING SPRING - 15Pcs	KIT-MOLLA BLOCCA FILTRO ACC.INOX - 15Pz	
08000034	HOSE CLAMP D12	FASCETTA STRINGITUBO D12	
190000110	3 WAYS SOLENOID SMALL BASE SCAR.1/8 208-240V 60Hz	E.V. NC 3VIE Basetta SCAR.1/8 208-240V 60Hz F1.5RUBY	
98005021	COMPLETE SLOPED PORTAFILTER 1WAY N.S.	PORTAFILTRO INCLINATO COMP. 1 VIA N.S.	
R98005021	KIT-COMPLETE SLOPED PORTAFILTER 1WAY N.S. - 1Pcs	KIT-PORTAFILTRO INCLINATO COMP. 1 VIA N.S. - 1Pz	
98005022	COMPLETE SLOPED PORTAFILTER 2WAY N.S.	PORTAFILTRO INCLINATO COMP. 2 VIE N.S.	
R98005022	KIT-COMPLETE SLOPED PORTAFILTER 2WAY N.S. - 1Pcs	KIT-PORTAFILTRO INCLINATO COMP. 2 VIE N.S. - 1Pz	
98005024	SLOPED PORTAFILTER BODY + N.S. HANDLE	CORPO PORTAFILTRO INCLINATO + MANOPOLA N.S.	
R98005024	KIT-SLOPED PORTAFILTER BODY + N.S. HANDLE-1Pcs	KIT -CORPO PORTAFILTRO INCLINATO + MANOPOLA N.S.-	
98030260	SUPERIOR LEFT TUBE 3/8 3/8 LOW GR APPIA COMPACT	TUBO SUP.SX 3/8 3/8 GR.BASSO APPIA COMPACT	
98030261	SUPERIOR RIGHT TUBE 3/8 3/8 LOW GR APPIA COMPACT	TUBO SUP.DX 3/8 3/8 GR.BASSO APPIA COMPACT	
98030262	INFERIOR TUBE 3/8 3/8 LOW GR APPIA COMPACT	TUBO INF. 3/8 3/8 GR.BASSO APPIA COMPACT	
98030264	SUPERIOR RIGHT TUBE 3/8 3/8 RAISED GR APPIA COMPACT	TUBO SUP.SX 3/8 3/8 GR.ALTO APPIA COMPACT	
98030265	SUPERIOR TUBE 3/8-3/8 LOW GR APPIA COMPACT	TUBO SUP.DX 3/8 3/8 GR.ALTO APPIA COMPACT	
98030266	INFERIOR TUBE 3/8 3/8 RAISED GR APPIA COMPACT	TUBO INF. 3/8 3/8 GR.ALTO APPIA COMPACT	
980400000005000001	DISPENSING GROUP SET 230V 50/60Hz	ASS. GR. EROG. 230V	
980400000005000004	DISPENSING GROUP SET ETI 208-240V CSA	ASS. GR. EROG. 208-240V CSA	
980400000005000005	DISPENSING GROUP SET 115V H=3mm	ASS. GR. EROG. 115V H=3mm	
980400000005000006	DISPENSING GROUP SET 230V H=3mm	ASS. GR. EROG. 230V H=3mm	
980400000005000010	GROUP SET DISPENSER 230V H=4mm FLAT GASKET	ASS. GR. EROG. 230V H=4mm GUARNIZIONE PIANA	
980400000005000011	DISPENSING GROUP SET 230V GIGLEUR F.1 FLAT GASKET	ASS. GR. EROG. 230V GIGLEUR F.1 GUARNIZIONE PIANA	
980400000005020001	RIGHT DISPENSING GROUP SET 230V	ASS. GR. EROG. DX 230V	
980400000005020002	RIGHT DISPENSING GROUP SET 115V	ASS. GR. EROG. DX 115V	
980400000005020003	RIGHT DISPENSING GROUP SET 208-240V CSA	ASS. GR. EROG. DX 208-240V CSA	
980400000005020004	RIGHT GROUP SET DISPENSER 230V H=3mm	ASS. GR. EROG. DX 230V H=3mm	
980400000005020005	RIGHT GROUP SET DISPENSER 230V FLAT GASKET	ASS. GR. EROG. DX 230V GUARNIZIONE PIANA	
980400000005020006	RIGHT DISPENSING GROUP SET 230V GIGLEUR F.1	ASS. GR. EROG. DX 230V GIGLEUR F.1	
980400000005020007	RIGHT GROUP SET DISPENSER 208-240V CSA H=3mm	ASS. GR. EROG. DX 208-240V CSA H=3mm	
980400000005020008	RIGHT GROUP SET DISPENSER 115V H=3mm	ASS. GR. EROG. DX 115V H=3mm	
KRIC0002	6pc PK LONGLIFE CONICAL GASKET SHEATH MUSICA-AF	CONFEZIONE 6pz. GUARNIZIONE SOTTOCOPPA CONICA L	



T.04

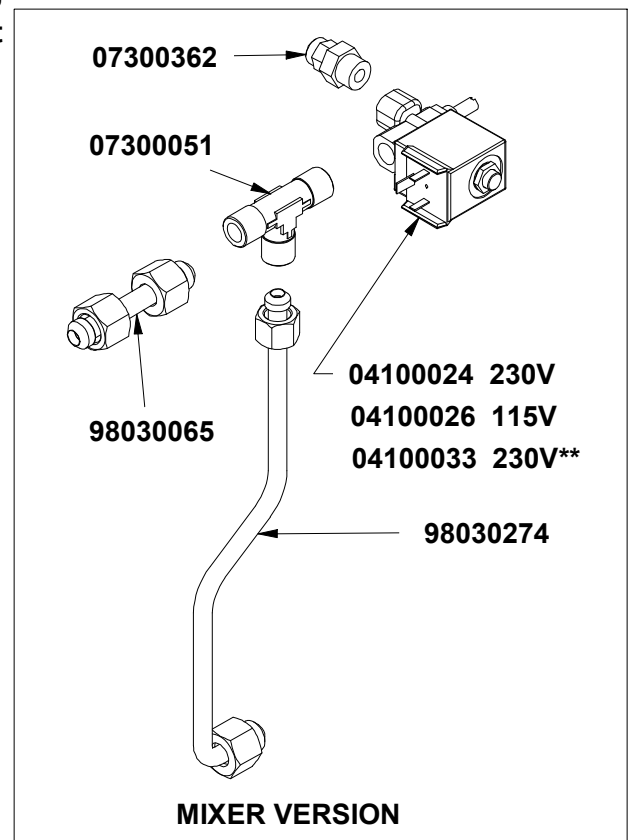
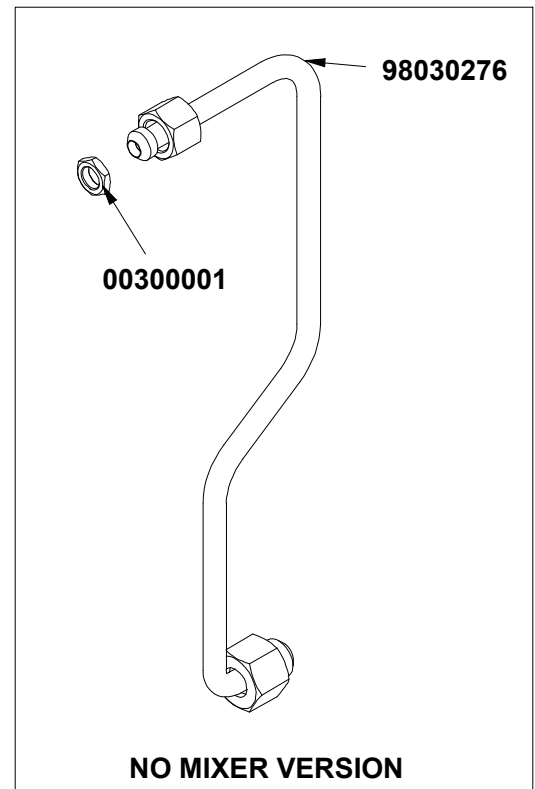
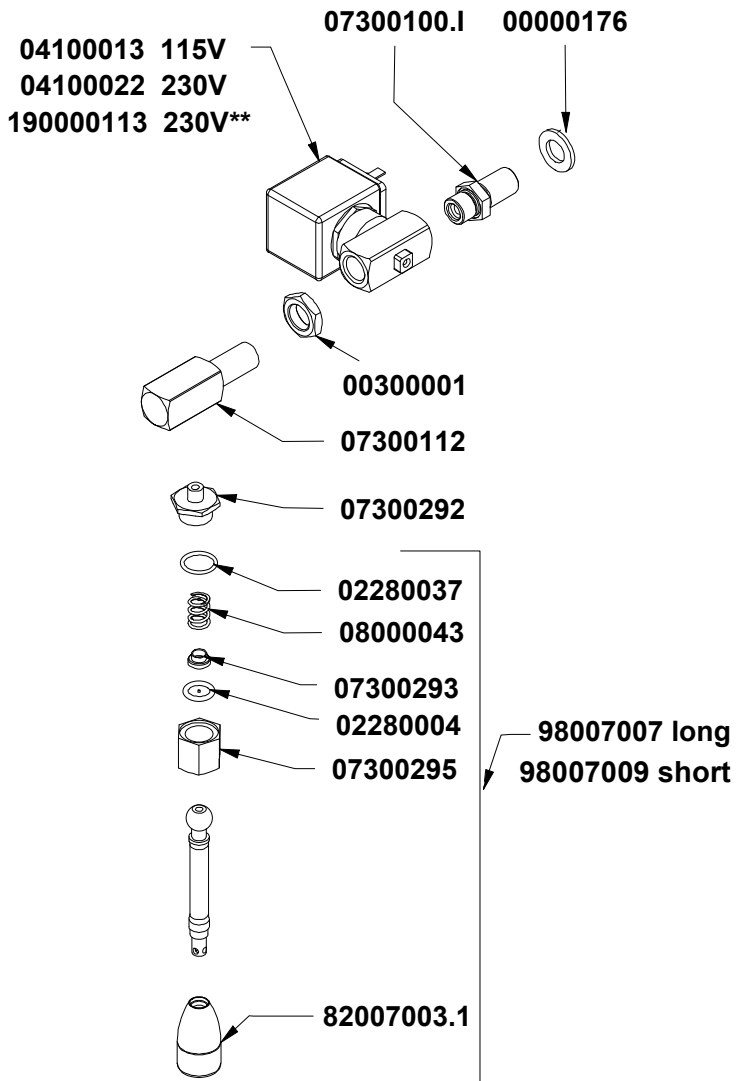
COD.	DESCRIPTION	DESCRIZIONE	VAL.
00000011	S/S KNURLED WASHER M4 UNI8842/A	RONDELLA INOX M4 ZIGRINATA UNI8842/A	
00000054	GALV HIGH NUT M4	DADO AQ M4 ALTO ZINCATO	
00000063	GALV WASHER AQ D10X21X2	RONDELLA AQ D 10x21x2 ZN	
00000160	S/S WASHER D4X12 UNI 6593	RONDELLA INOX D4x12x1 UNI 6593	
00000175	S/S CROSS HEAD CAP SCREW M4X10	VITE INOX M4x10 TC TCR	
00300005	BRASS NUT 1/8 GAS D4 ADD 22.07.96 CH13	DADO OT 1/8 GAS AGG.22.07.96 SPESS.4 CH13	
00300013	BRASS NUT 3/8 GAS D4 CH20 ADD 22.07.96	DADO OT 3/8 GAS SPESS.4 CH20 AGG.22.07.96	
01000010	S/S FLEXIBLE TUBE 1/4 FF L=320	TUBO FLESS.INOX 1/4-F.F. L=320	
R01000010	KIT-S/S FLEXIBLE TUBE 1/4 FF L=320 - 1Pcs	KIT-TUBO FLESS.INOX 1/4-F.F. L=320 - 1Pz	
01000023	ANTI VACUUM VALVE	VALVOLINA SFIATO	
R01000023	KIT-ANTI VACUUM VALVE - 3Pcs	KIT-VALVOLINA SFIATO - 3Pz	
01000072	ANTI-VIBRATING AD 10X10 M4 MM	ANTIVIBRANTE AD 10x10 M4 MM * KB *	
01300004	VOLUMETRIC PUMP 50 lt/h OT-57	POMPANTE VOLUMETRICO 50 lt/h OT-57	
03000202	CONDENSATION TRAY MASTER	VASCHETTA RACCOGLI CONDENSA AGG. 07.06.97	
03003162	PUMP SUPPORT APPIA19 COMPACT	SUPPORTO POMPA APPIA19 COMPACT **AD ESAURIMENTI	
04000010	CAPACITOR 6 MICRO F	CONDENS. 6microF x 04500033 UL	
04000011	CAPACITOR 25 microF UL 04500036 04500037	CONDENS.25 microF UL 45x92 FASTON 6,3 CON CODOLO(	
04500033	ELEC ENGINE MASTER/PREMIER 2001 230V 50/60Hz 120W	MOTORE ELETTRICO 230V 50/60Hz 120W	
04500037	ELEC ENGINE 115V 50/60Hz 100W APPIA 1GR	MOTORE ELETTRICO 115V 50/60Hz APPIA 1GR. 100W	
05000063	SAFETY VALVE COVER PA6	COPRI VALVOLA SICUREZZA PA6	
R05000063	KIT-SAFETY VALVE COVER PA6 - 8Pcs	KIT-COPRI VALVOLA SICUREZZA PA6 - 8Pz	
06200125	4WAY MANIFOLD 1/4M OT-57 USA	CROCIERA 4 VIE 1/4M OT-57 USA	
07300009	NUT FITTING 1/4 GAS	DADO RACCORDO 1/4 GAS	
07300017	FITTING 1/4M 3/8M GAS OT-57 USA	RACCORDO 1/4M 3/8M GAS OT-57 USA	
07300063	CLOSED TERMINAL D11	TERMINALE CHIUSO D.11 OT-58	
07300068	FITTING L 3/8 M-M CYLIN	RACCORDO L 3/8 M-M CILIN.	
07300227	BRASS WASHER D.26X13,5X1,5 ADD.5.06.03	RONDELLA OT D.26x13,5x1,5 AGG.5.06.03	
07300365	T FITTING 1/4 FFM	RACCORDO T 1/4 M-F-F	
07300382	STRAIGHT FITTING 1/4 F	RACCORDO DIR. 1/4 F - CALZAM.	
09000016	SPHERE TAP - NETWORK CONNECTION 3/8 M-F MINI	RUBINET. SFERA ALLACCIO RETE 3/8 M-F MINI	
R09000016	KIT-SPHERE TAP - NETWORK CONNECTION 3/8 M-F MINI	KIT-RUBINET. SFERA ALLACCIO RETE 3/8 M-F MINI- 2Pz	
09100003	DOUBLE SCALE GAUGE 2,5:15 D.60	MANOMETRO DOPPIA SCALA 2,5:15 D.60	
R09100003	KIT-DOUBLE SCALE GAUGE 2,5:15 D.60 - 1Pcs	KIT-MANOMETRO DOPPIA SCALA 2,5:15 D.60 - 1Pz	
11740003	CALIBRATED TEFLON PIPE 6/4	TUBO TEFLON NSF 6/4 CALIBRATO1 matassa = 50mt	
98013020	SAFETY VALVE A5 1/4 REG 1,8 BAR OT-58	VALVOLA SICUREZZA A5 1/4 TARATA 1,8 BAR OT-58	
R98013020	KIT-SAFETY VALVE A5 1/4 REG 1,8 BAR - 2Pcs	KIT-VALVOLA SICUREZZA A5 1/4 TARATA 1,8 BAR- 2Pz	
98030075	CAPILLARY TUBE 1/8-1/4 0,9X2X400 GAUGE-PUMP	TUBO CAPILLARE 1/8-1/4 0,9x2x400 MANOM.-POMPA	
R98030075	KIT-CAPILLARY TUBE 1/8-1/4 0,9X2X400 GAUGE-PUMP - 2	KIT-TUBO CAPILLARE 1/8-1/4 0,9x2x400 MANOM.-POMPA- 2	
98030762	CONNECTION PIPE SAFETY VALVE APPIA19 COMPACT	TUBO COLL. VALVOLA SICUREZZA APPIA19 COMPACT	
9817000000010	PUMP OT 500LT SET + CONNECTORS	ASSIEME POMPANTE OT 50lt + RACCORDI	



T.05

COD.	DESCRIPTION	DESCRIZIONE	VAL.
00000118	S/SHEx SOCKET CAP SCREW M4x12 5931	VITE INOX M4x12 TCEI 5931	
00200011	GALV WASHER M16 17x30x3	RONDELLA AQ M16 17x30x3 ZINC	
00300012	BRASS NUT 3/8 GAS D6 CH22 ADD 22.07.96	DADO OT 3/8 GAS SPESS.6 CH22 AGG. 22.07.96	
02280011	GASKET O RING R11 D19 EP 851	GUARN. OR R11 D19 EP 851	
R02280011	KIT-GASKET O RING R11 D19 EP - 25Pcs	KIT-GUARN. OR R11 D19 EP - 25Pz	
02280014	GASKET GASKET O RING D.7 AN2/OR102 SILICON	GUARN. OR D7 AN2/OR102 SILICON7XL1715	
R02280014	KIT-GASKET GASKET O RING D.7 AN2/OR102 SILICON - 3Pcs	KIT-GUARN. OR D7 SILICON 7XL1715 - 30Pz	
02280036	O RING FOR STEAM WAND NOZZLE D6x1.2 EPDM70 500 F	GUARN. OR x BECCO LANCIA VAP. DI 6x1.2 EPDM70(CONF	
R02280036	KIT-O RING FOR STEAM WAND NOZZLE D6x1.2 EPDM - 6Pcs	KIT-GUARN. OR x BECCO LANCIA VAP. D. 6x1.2 EPDM- 65P	
02280037	GASKET O RING JOINT LOCK 16x2 NBR70	GUARN. OR CHIUSURA SNODO 16x2 NBR70	
R02280037	KIT-GASKET O RING JOINT LOCK 16x2 NBR - 45Pcs	KIT-GUARN. OR CHIUSURA SNODO 16x2 NBR - 45Pz	
02600004	O RING 15,2x10,2x2,5 TEFLON x STEAM WAND SPHERE	GUARN. OR 15,2x10,2x2,5 TEFLONx SFERA LANCIAVAPORI	
R02600004	KIT-O RING 15,2x10,2x2,5 TEFLON x STEAM - 55Pcs	KIT-GUARN. OR 15,2x10,2x2,5 TEFLONx SFERA LANCIA- 55	
05000001	RUBBER PROTECTION FOR STEAMWAND D10	GOMMINO PROTEZIONE LANCIA D.10	
R05000001	KIT-RUBBER PROTECTION FOR STEAMWAND D10 - 10Pcs	KIT-GOMMINO PROTEZIONE LANCIA D.10 - 10Pz	
05000815	STEAM LEVER HANDLE AURELIA 2011	MANOPOLA VAPORE "AURELIA" 2011	
R05000815	KIT-STEAM LEVER HANDLE - 2Pcs	KIT-MANOPOLA VAPORE - 2Pz	
07300110	SPRING HOLDER TAP R.V. PR. OT-58	TAPPO PORTA MOLLA R.V. PR. OT-58	
R07300110	KIT-SPRING HOLDER TAP R.V. PR. - 6Pcs	KIT-TAPPO PORTA MOLLA R.V. PR. - 6Pz	
07300221	S/S STEAMTAP ROD	ASTA INOX RUBINETTO VAPORE	
R07300221	KIT-S/S STEAMTAP ROD - 3Pcs	KIT-ASTA INOX RUBINETTO VAPORE - 3Pz	
07300293	ARTICULATED BUSHING AG.25.06.96 OT-57	BUSSOLA SNODO AG.25.06.96 OT-57	
R07300293	KIT-ARTICULATED BUSHING - 15Pcs	KIT-BUSSOLA SNODO - 15Pz	
07300355	TAP FORK 99 BRASS OT-58	FORCELLA RUBINETTO 99 OTTONE OT-58	
R07300355	KIT-TAP FORK 99 BRASS - 3Pcs	KIT-FORCELLA RUBINETTO - 3Pz	
07300798	NUT FITTING 3/8 H=26 BRASS-NICKEL ARTICULATED WAI	DADO RACC. 3/8 H=26 LANCIA SNODATA OTTONENICHEL/	
R07300798	KIT-NUT FITTING 3/8 H=26 BRASS-NICKEL ARTICULATED	KIT-DADO RACC. 3/8 H=26 LANCIA SNODATA OTTONE- 4Pz	
07300800	STEAM TAP BODY AURELIA II OT-57	CORPO RUB.VAPORE AURELIA II OT-57	
R07300800	KIT-STEAM TAP BODY - 1Pcs	KIT-CORPO RUB.VAPORE - 1Pz	
07300810	STEAM TAP PIN AURELIA IIOT-58	SPINOTTO RUB.VAPORE AURELIA IIOT-58	
R07300810	KIT-STEAM TAP PIN - 25Pcs	KIT-SPINOTTO RUB.VAPORE - 25Pz	
08000005	STEAM TAP SPRING 6 ST 11,5X8,5X25	MOLLA 6 ST 11,5X8,5X25 RUB.VAPORE	
R08000005	KIT-STEAM TAP SPRING 6 ST 11,5X8,5X25 - 15Pcs	KIT-MOLLA 6 ST 11,5X8,5X25 RUB.VAPORE - 15Pz	
08000015	S/S SEEGER RING TYPE RS 5 UNI7434	ANELLO SEEGER TIPO RS 5 INOX UNI7434	
08000043	SPRING FOR ARTICULATED WAND D.1.6 D.11.9x16.2 4CO	MOLLA PER LANCIA SNODATA FILO D.1.6 D.11.9x16.2 4SPII	
R08000043	KIT-SPRING FOR ARTICULATED WAND D.1.6 D.11.9x16.2	KIT-MOLLA PER LANCIA SNODATA FILO D.1.6 D.11.9x16.- 1	
75006038.1	STEAM NOOZLE M8,65X0,75 F1,2 ESAG.12	BECCO VAPORE M8,65x0,75 F. 1,2 ESAG.12	
75006038.2	STEAM NOZZLE M8,65x0,75 F. 1,5 ESAG.12	BECCO VAPORE M8,65x0,75 F. 1,5 ESAG.12	
75006070	SS STEAMWAND KIT NOZZLE 1,5mm HIGH NUT APPIA II	KIT LANCIA VAPORE SNODATA INOX CON BECCO 1,5 EDA	
98006021	RIGHT STEAM KNOB SET 2004	ASSIEME MANOPOLA VAPORE 2004 DX	
R98006021	KIT-RIGHT STEAM KNOB SET - 1Pcs	KIT-ASSIEME MANOPOLA VAPORE DX - 1Pz	
98006022	LEFT STEAM KNOB SET 2004	ASSIEME MANOPOLA VAPORE 2004 SX	
R98006022	KIT-LEFT STEAM KNOB SET - 1Pcs	KIT-ASSIEME MANOPOLA VAPORE SX - 1Pz	
98008004	COMPLETE STEAM VALVE PISTON	PISTONCINO CHIUSURA COMPLETO	
R98008004	KIT-COMPLETE STEAM VALVE PISTON - 5Pcs	KIT-PISTONCINO CHIUSURA COMPLETO - 5Pz	

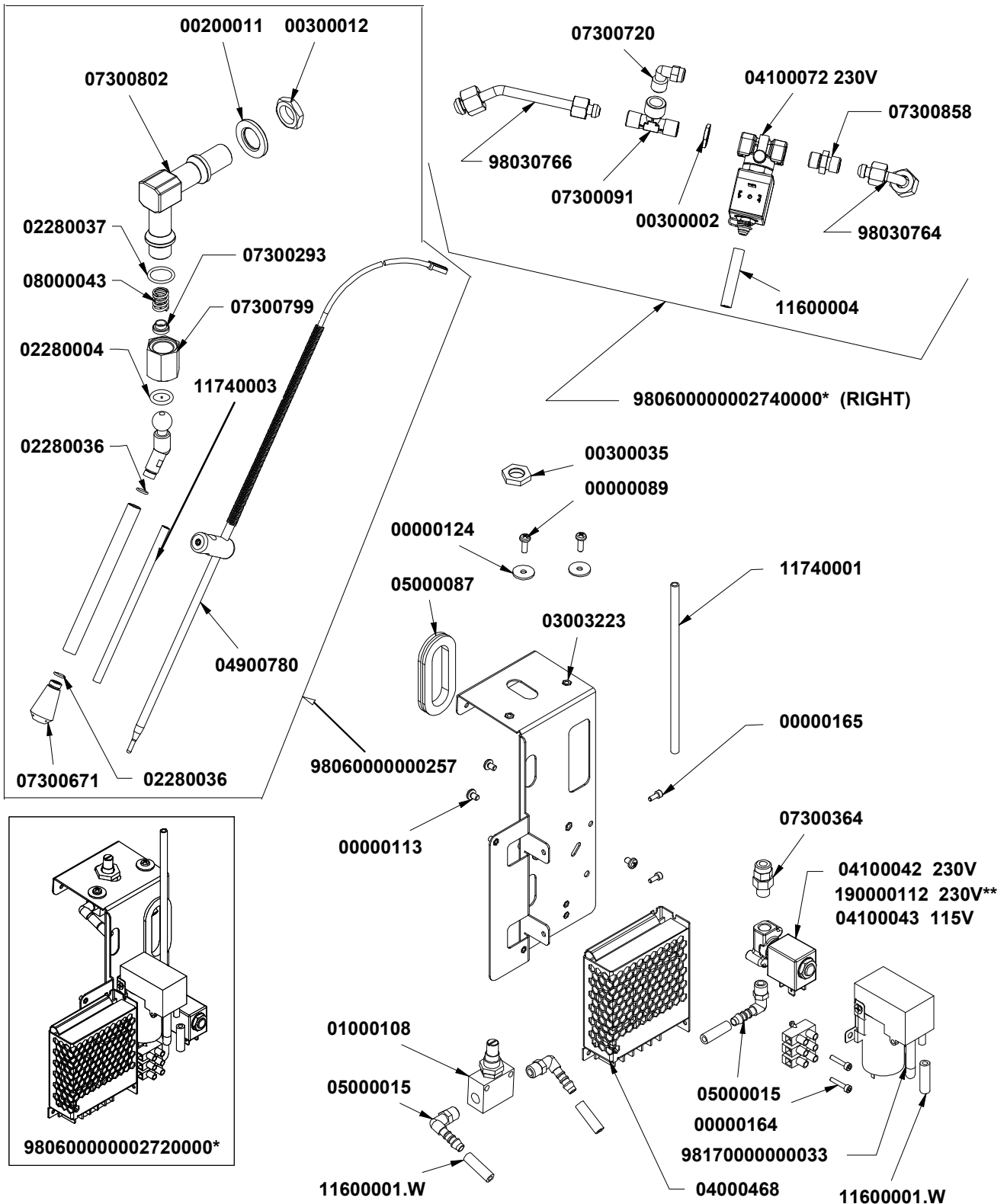
COD.	DESCRIPTION	DESCRIZIONE	VAL.
98030640	RIGHT STEAMWAND TUBE APPIA COMPACT	TUBO LANCIA VAP. DX APPIA II COMPACT	
98030642	LEFT STEAMWAND TUBE APPIA COMPACT	TUBO LANCIA VAP. SX APPIA II COMPACT	
98060000000111	STEAM TAP SET W/O WAND AURELIA II-APPIA II	ASS. RUBINETTO VAPORE SENZA LANCIA AURELIA II -APP	
98060000000250	STEAM TAP + STEAMWAND SET W/ HIGH NUT APPIA II	ASS. RUBINETTO VAPORE + LANCIA VAPORE CON DADOA	
98060000000251	STEAMTAP + STEAMWAND SET W/HIGH NUT APPIAII 1,2N	ASS. RUBINETTO VAPORE + LANCIA VAPORE CON DADOA	
98060000000252	STEAM TAP SET + COLD STEAM WAND WITH HIGH NUT /	ASS. RUBINETTO VAPORE + LANCIA VAPORE FREDDA CO	



\*\*North America Market  
 Mercato Nord America

T.06

COD.	DESCRIPTION	DESCRIZIONE	VAL.
00000176	FLAT WASHER ZB 13 6592/125	ROND. ZB PIANA Di15 6592/125	
00300001	BRASS NUT 1/4 GAS D5 CH18	DADO OT 1/4 GAS SPESS.5 CH18 *AGG. 22.07.96	
02280004	GASKET O RING 115 D17 EP 856 x SWIVEL STEAM PIPE	GUARN. OR 115 D.17 EP856 SNODO LANCIA	
R02280004	KIT-GASKET O RING 115 D17 EP 856 x STEAM PIPE - 55Pcs	KIT-GUARN. OR 115 D.17 EP856 SNODO LANCIA - 55Pz	
02280037	GASKET O RING JOINT LOCK 16x2 NBR70	GUARN. OR CHIUSURA SNODO 16x2 NBR70	
R02280037	KIT-GASKET O RING JOINT LOCK 16x2 NBR - 45Pcs	KIT-GUARN. OR CHIUSURA SNODO 16x2 NBR - 45Pz	
04100013	2WAY SOLENOID 1/4-1/4 110-120V60Hz F1.5 UL TH1xM4	E.V. NC 2VIE 1/4-1/4 110-120V 60Hz VITON F1.5 ULPIEDINO	
04100022	2WAY SOLENOID 1/4-1/4 220-230V50/60Hz F3 CE TH1xM4	E.V. NC 2VIE 1/4-1/4 220-230V 50/60Hz RUBINO F3 CE PIEDI	
R04100022	KIT-2WAY SOLENOID 1/4-1/4 220-230V50/60Hz F3 CE - 1Pcs	KIT-E.V. NC 2VIE 1/4-1/4 220-230V 50/60Hz RUBINO- 1Pz	
04100024	3WAY SOLENOID 1/4 REGUL 90° 230V50/60Hz F3 CE	E.V. NC 2VIE 1/4 REGOLAT. 90° 230V 50/60Hz F.3 CE	
R04100024	KIT-3WAY SOLENOID 1/4 REGUL 90° 230V50/60Hz F3 CE - 1Pcs	KIT-E.V. NC 2VIE 1/4 REGOLAT. 90° 230V 50/60Hz F.3- 1Pz	
04100026	2WAY SOLENOID 1/4 REGUL 90° 115V 60Hz EPDM F3UL	E.V. NC 2VIE 1/4 REGOLAT. 90° 115V 60Hz EPDM F3 UL	
04100033	2WAY SOLENOID 1/4 REGUL 90° 230/240V 50/60Hz F3 UL	E.V. NC 2VIE 1/4 REGOLAT. 90° 230/240V 50/60Hz F3UL CAI	
07300051	FITTING T 1/4 M-M-M CYLIN.	RACCORDO T 1/4 M-M-M CILIN.	
07300100.1	DISCHARGE ATTACHMENT 1/4 1/4 INOX AISI316	ATTACCO SCAR. 1/4-1/4 INOX Aisi316	
07300112	WATER TAP CONNECTION OT-57 USA	ATTACCO RUB. ACQUA OT-57 USA	
07300292	TAP ATTACHMENT FOR ARTICULATED S/S STEAMWAND	ATTACCO RUBINETTO PER LANCIA VAPORE SNODATA INI	
07300293	ARTICULATED BUSHING AG.25.06.96 OT-57	BUSSOLA SNODO AG.25.06.96 OT-57	
R07300293	KIT-ARTICULATED BUSHING - 15Pcs	KIT-BUSSOLA SNODO - 15Pz	
07300295	NUT FITTING 3/8 H=21 BRASS-NICKEL ARTICULATED WAI	DADO RACC. 3/8 H=21 LANCIA SNODATA OTTONENICHEL/	
R07300295	KIT-NUT FITTING 3/8 H=21 BRASS-NICKEL ARTICULATED	KIT-DADO RACC. 3/8 H=21 LANCIA SNODATA - 6Pz	
07300362	STRAIGHT FITTING 1/4 M-FITTINGS.6 340	RACCORDO DIR. 1/4 M-CALZ.6 340	
08000043	SPRING FOR ARTICULATED WAND D.1.6 D.11.9x16.2 4CO	MOLLA PER LANCIA SNODATA FILO D.1.6 D.11.9x16.2 4SPH	
R08000043	KIT-SPRING FOR ARTICULATED WAND D.1.6 D.11.9x16.2	KIT-MOLLA PER LANCIA SNODATA FILO D.1.6 D.11.9x16. - 1	
190000113	2 WAYS SOLENOID 1/4-1/4 208-240V 60Hz FKM F1.5 UL NSF	E.V. NC 2VIE 1/4-1/4 208-240V 60Hz FKM F1,5 UL NSF	
82007003.1	HOTWATER DIFFUSER D23,5 F1/8 WITH S/S AERATOR	ROMPIGETTO ACQUA CALDA D.23,5 F 1/8" CON AERATORI	
R82007003.1	KIT-HOTWATER DIFFUSER D23,5 F1/8 WITH S/S AERATOI	KIT-ROMPIGETTO ACQUA CALDA D.23,5 F 1/8" CON AERATI	
98007007	S/S HOTWATER WAND KIT L100 HIGH W/ DIFFUSER	KIT LANCIA ACQUA C. INOX L=100COMPL. DI ROMPIGETTC	
98007009	S/S HOTWATER WAND KIT L70 W/ DIFFUSER	KIT LANCIA ACQUA C. INOX L=70 COMP. DI ROMPIGETTO8	
R98007009	KIT-S/S HOTWATER WAND KIT L70 W/ DIFFUSER - 1Pcs	KIT-KIT LANCIA ACQUA C. INOX L=70 COMP. DI ROMPIGE-	
98030065	TUBE D8 1/4 1/4 L=59,5	TUBO D.8 1/4 1/4 L=59.5	
98030274	TUBE 3/8-1/4 BOILER-T H.WATER MIXER APPIA COMPACT	TUBO 3/8-1/4 CALDAIA-T MISCELATORE A. CALDA APPIAC	
98030276	TUBE 3/8 1/4 BOILER-HOT WATER APPIA COMPACT	TUBO 3/8 1/4 CALDAIA-ATTACCO A CALDA APPIA COMPAC	

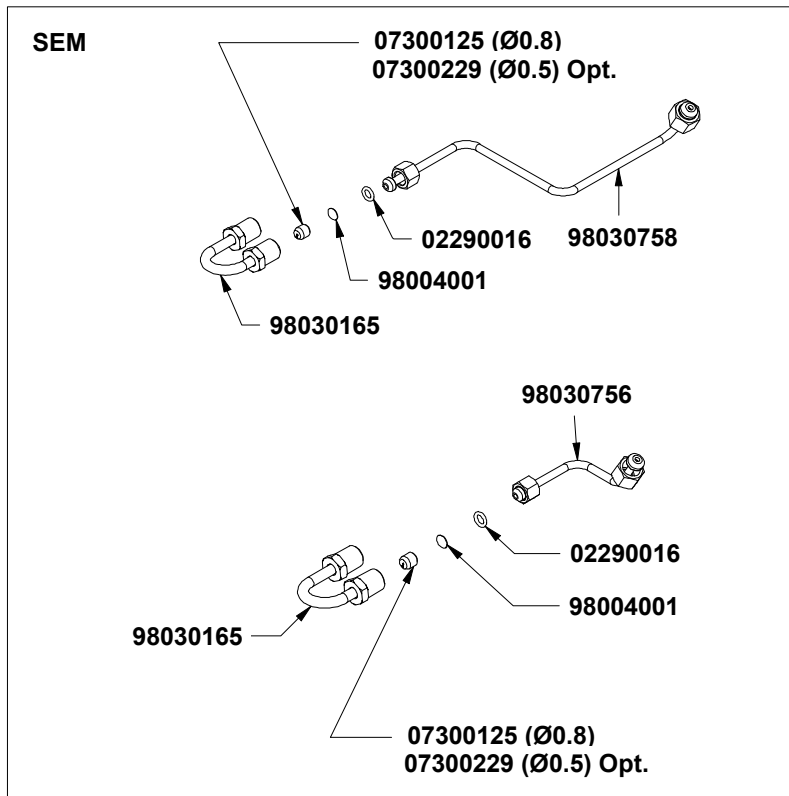
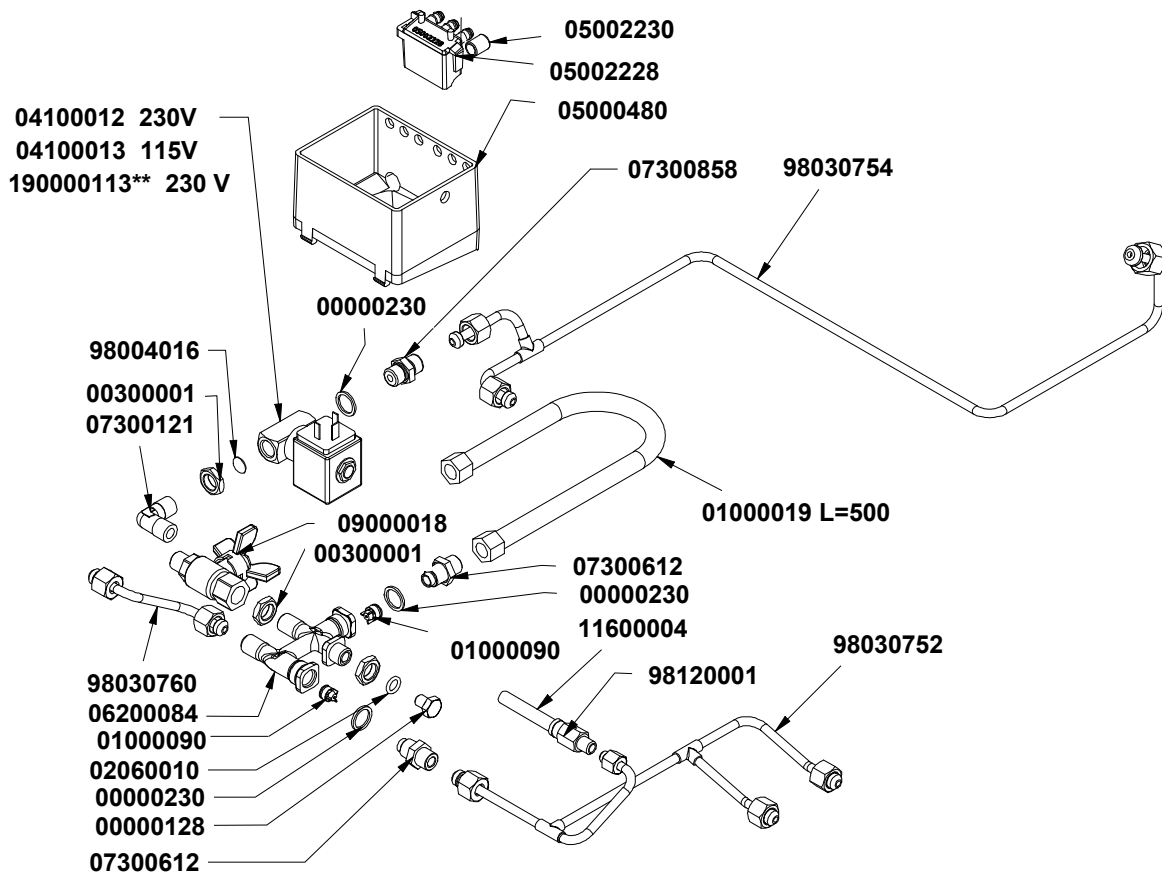


CODE	DESCRIPTION	DESCRIZIONE
04001510	Wiring Easy Cream	Cablaggio Easy Cream

\*Specify version  
 Specificare versione  
 \*\*North America Market  
 Mercato Nord America

COD.	DESCRIPTION	DESCRIZIONE	VAL.
11740001	TEFLON PIPE 6/4	TUBO TEFLON 6/4	
00000089	S/S CROSSHEAD CAP SCREW M4x12 DIN7985	VITE INOX M4x12 TC TCR DIN7985	
00000113	S/S CROS SHEAD CAP SCREW M4x6 7985	VITE INOX M4x6 TC TCR 7985	
00000124	GALV WASHER D4 3x16x1.5	RONDELLA AQ D4.3x16x1.5 ZINC.	
00000164	S/S SCREW M3x16 TCEI ISO 4762	VITE INOX M3x16 TCEI ISO 4762	
00000165	S/S SCREW M3x8 TCEI ISO 4762	VITE INOX M3x8 TCEI ISO 4762	
00200011	GALV WASHER M16 17x30x3	RONDELLA AQ M16 17x30x3 ZINC	
00300002	BRASS NUT 1/4 D3 CH18	DADO OT 1/4 SPESS.3 CH18 AGG. 22.07.96	
R00300002	KIT-BRASS NUT 1/4 D3 - 15Pcs	KIT-DADO OT 1/4 SPESS.3 - 15Pz	
00300012	BRASS NUT 3/8 GAS D6 CH22 ADD 22.07.96	DADO OT 3/8 GAS SPESS.6 CH22 AGG. 22.07.96	
00300035	OT NUT M12X1 CH19 FOR FIXING GAS VALVE APPIA	DADO OT M12x1 CH19 x FISSAGGIO VALVOLA APPIA GAS	
01000108	TAP MRF 1/8 FF 604	RUBINETTO MRF 1/8 F-F 604	
02280004	GASKET O RING 115 D17 EP 856 x SWIVEL STEAM PIPE	GUARN. OR 115 D.17 EP856 SNODO LANCIA	
R02280004	KIT-GASKET O RING 115 D17 EP 856 x STEAM PIPE - 55Pcs	KIT-GUARN. OR 115 D.17 EP856 SNODO LANCIA - 55Pz	
02280036	O RING FOR STEAM WAND NOZZLE D6x1.2 EPDM70 500 F	GUARN. OR x BECCO LANCIA VAP. DI 6x1.2 EPDM70(CONF	
R02280036	KIT-O RING FOR STEAM WAND NOZZLE D6x1.2 EPDM - 65Pcs	KIT-GUARN. OR x BECCO LANCIA VAP. D. 6x1.2 EPDM- 65P	
02280037	GASKET O RING JOINT LOCK 16x2 NBR70	GUARN. OR CHIUSURA SNODO 16x2 NBR70	
R02280037	KIT-GASKET O RING JOINT LOCK 16x2 NBR - 45Pcs	KIT-GUARN. OR CHIUSURA SNODO 16x2 NBR - 45Pz	
03003223	COMPRESSOR SUPPORT PLATE VA358	LAMIERA SUPPORTO COMPRESSORE VA388	
04000468	TRANSFORMER 24VDC 50W OPTIONAL AURELIA18 LRS 5	TRASFORMATORE 24V 50W OPTIONALS AURELIA18LRS-5	
R04000468	KIT-TRANSFORMER 24VDC 50W Opt. - 1Pcs	KIT-TRASFORMATORE 24V 50W-1 PZ	
04001510	EXTRA WIRING EASYCREAM APPIA19	SUPPL. CABLAGGIO EASY CREAM APPIA19	
04100042	2WAY SOLENOID 1/8-1/8 220-230V50/60Hz F2 CE TH1xM4	E.V. NC 2VIE 1/8-1/8 220-230V 50/60Hz VITON F2 CEPIEDIN(C	
R04100042	KIT-2WAY SOLENOID 1/8-1/8 220-230V50/60Hz F2 CE - 1Pcs	KIT-E.V. NC 2VIE 1/8-1/8 220-230V 50/60Hz VITON F2- 1Pz	
04100043	2WAY SOLENOID 1/8-1/8 110-120V 60Hz F2 UL TH1xM4	E.V. NC 2VIE 1/8-1/8 110-120V 60Hz VITON F2 ULPIEDINO F	
04100072	3WY SOLENOID 1/4-1/4 DISCHARGE 1/8 208/240V 50/60Hz	E.V. NC 3VIE 1/4-1/4 SCAR.1/8 208/240V 50/60Hz F5INOX	
04900780	PROBE PT1000 STEAMWAND TURBOCREAM D06 +SUP A	SONDA PT1000 x LANCIA VAP. DRITTA + SUPP. ADONIS**A	
05000015	TUBE FASTENING WES 6R 1/8	RACCORDO PORTATUBO WES 6R 1/8	
05000087	CABLE DUCT PVC OVALE NERO OV7	PASSACAPO PVC OVALE NERO OV7	
07300091	T FITTING MFM 1/4 CYLIN.	RACCORDO T 1/4 M-F-M CILIN.	
07300293	ARTICULATED BUSHING AG.25.06.96 OT-57	BUSSOLA SNODO AG.25.06.96 OT-57	
R07300293	KIT-ARTICULATED BUSHING - 15Pcs	KIT-BUSSOLA SNODO - 15Pz	
07300364	STRAIGHT FITTING 1/8 M CON. - FITTING.6 340	RACCORDO DIR. 1/8 M CON. - CALZAM.6 340	
R07300364	KIT-STRAIGHT FITTING 1/8 M CON. - FITTING.6 340 - 8Pcs	KIT-RACCORDO DIR. 1/8 M CON. - CALZAM.6 - 8Pz	
07300671	EASYCREAM NOZZLE 4HOLES TALENTO - AURELIA II	BECCO EASYCREAM 4 FORI TALENTO / AURELIA II	
07300720	L FITTING 1/4 M - FITTINGS	RACCORDO L 1/4 M - CALZAM.	
07300799	NUT FITTING 3/8 H=26 S/S ARTICULATED WAND	DADO RACC. 3/8 H=26 LANCIA SNODATA INOX	
07300802	ATTACHMENT HOT WATER TAP/AUTOSTEAM AURELIA II	ATTACCO RUB. ACQUA/AUTOSTEAM AURELIA II OT-57	
07300858	FITTING 1/4M-1/4M OT-57 USA	RACCORDO 1/4M-1/4M OT-57 USA	
R07300858	KIT-FITTING 1/4M-1/4M - 15Pcs	KIT-RACCORDO 1/4M-1/4M - 15Pz	
08000043	SPRING FOR ARTICULATED WAND D.1.6 D.11.9x16.2 4CO	MOLLA PER LANCIA SNODATA FILO D.1.6 D.11.9x16.2 4SPIL	
R08000043	KIT-SPRING FOR ARTICULATED WAND D.1.6 D.11.9x16.2	KIT-MOLLA PER LANCIA SNODATA FILO D.1.6 D.11.9x16.- 1	
11600001.W	WHITE SILICONE PIPE 4x7,5 60Sh(1mt=41gr) PLATINICO S	TUBO SILICONE BIANCO4x7,5 60Sh(1mt=41gr) PLATINICO S	
11600004	SILICONE PIPE 5x9 60Sh PEROX WHITE SEMITRASPAREN	TUBO SILICONE 5x9 70Sh PEROX TRASPARENTE(1mt=50gr)	
11740003	CALIBRATED TEFLON PIPE 6/4	TUBO TEFLON NSF 6/4 CALIBRATO1 matassa = 50mt	

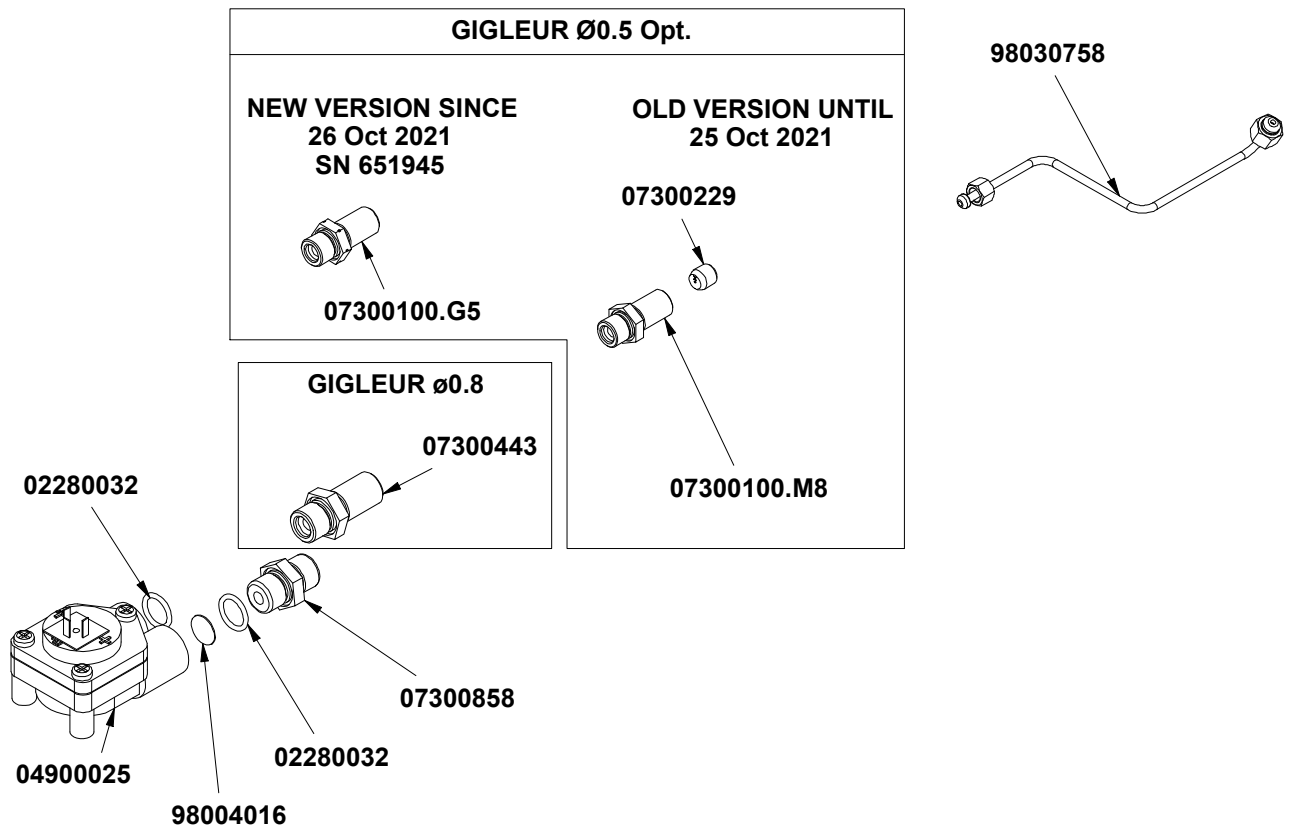
COD.	DESCRIPTION	DESCRIZIONE	VAL.
190000112	2 WAYS SOLENOID 1/8-1/8 208-240V 60Hz FKM F2 UL NSF	E.V. NC 2VIE 1/8-1/8 208-240V 60Hz FKM F2 UL NSF 121WH	
98030764	PIPE BOILER-SOL-VALVE EC RIGHT	TUBO CALDAIA-E.V. EASY CREAM DX APPIA19 COMPACT	
98030766	E.V. EASY CREAM PIPE - RIGHT WAND APPIA19 1GR. ANI	TUBO E.V. EASY CREAM - LANCIA DX APPIA19 1GR. ECOM	
98060000000257	ATTACHMENT + EASYCREAM WAND W/ PROBE SET APP	ASS. ATTACCO + LANCIA EASY CREAM CON SONDA APPIA19	
98170000000033	MICROCOMPRESSOR + SUPPORT SET TALENTO	ASS. SUPPORTO + MICROCOMPRESSORE TALENTO	
980600000002720001	SUPPORT + EASYCREAM SOLENOID SET CE	ASS. SUPPORTO+ E.V. EASY CREAM CE	
980600000002720002	SUPPORT SET + SOLENOID EASY CREAM CSA	ASS. SUPPORTO+ E.V. EASY CREAM CSA	
980600000002720003	SUPPORT SET + SOLENOID EASY CREAM 115V	ASS. SUPPORTO+ E.V. EASY CREAM 115V	
980600000002740001	SOLENOID+RIGHT STEAM TUBES SET EC RIGHT	ASS. E.V. + TUBI VAPORE DX EC STD	
980600000002740002	SOLENOID+RIGHT STEAM TUBES SET 110V EC	ASS. E.V. + TUBI VAPORE DX 110V E.C.	
980600000002740003	SOLENOID+RIGHT STEAM TUBES SET AS 230V	ASS. E.V. + TUBI VAPORE DX AUTOSTEAM 230V	
980600000002740004	SOLENOID+RIGHT STEAM TUBES SET AS 110V	ASS. E.V. + TUBI VAPORE DX AUTOSTEAM 110V	
980600000002740005	SOLENOID+RIGHT STEAM TUBES SET CSA 230V EC	ASS. E.V. + TUBI VAPORE DX EASY CREAM CSA	



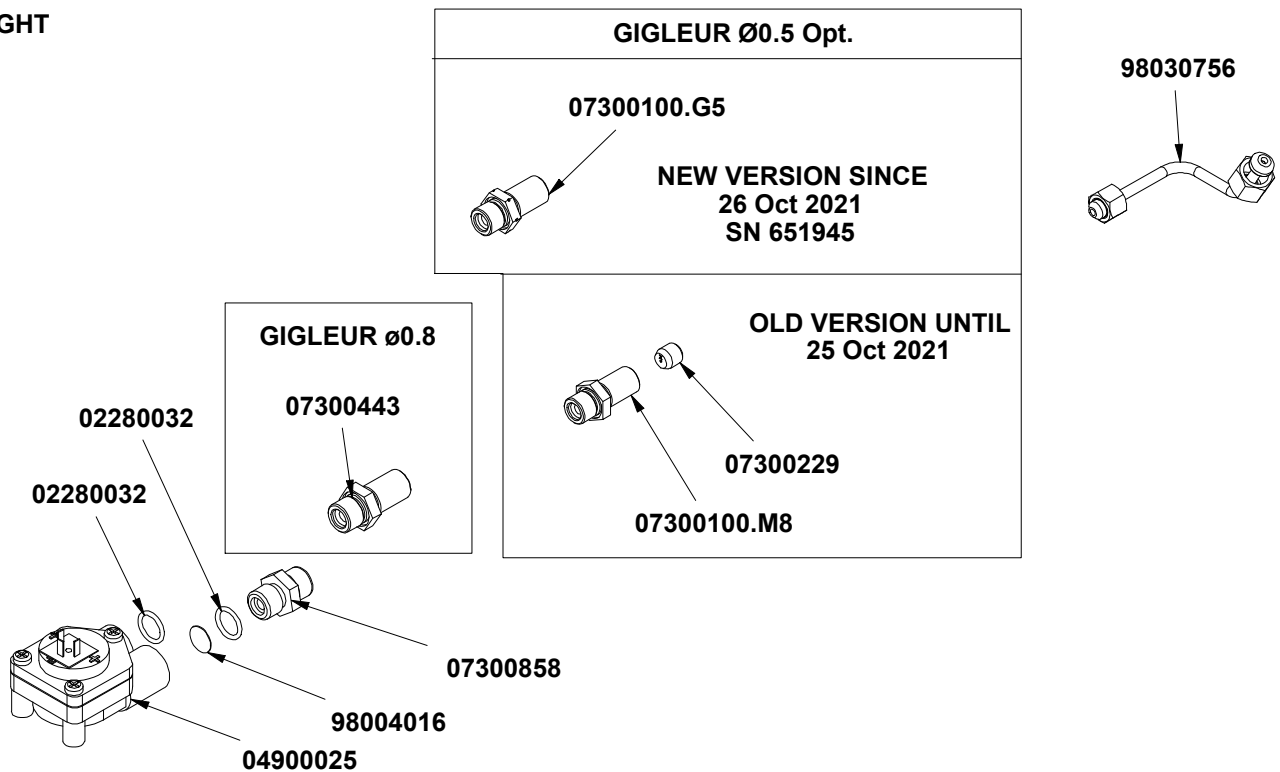
\*\*North America Market  
 Mercato Nord America

COD.	DESCRIPTION	DESCRIZIONE	VAL.
00000128	S/S HEX CAP SCREW M8x10 THREADED	VITE INOX M8x10 TE TUTTO FIL.	
00000230	COPPER WASHER SEAL 14X18X1.5	RONDELLA GUARNIZIONE RAME RICOTTO 14x18x1.5	
00300001	BRASS NUT 1/4 GAS D5 CH18	DADO OT 1/4 GAS SPESS.5 CH18 *AGG. 22.07.96	
01000019	S/S FLEXIBLE TUBE 1/4 FF L= 500	TUBO FLESS.INOX 1/4 F.F. L=500	
R01000019	KIT-S/S FLEXIBLE TUBE 1/4 FF L= 500 - 1Pcs	KIT-TUBO FLESS.INOX 1/4 F.F. L=500 - 1Pz	
01000090	RETAINING VALVE D10	VALVOLINA DI RITEGNO D.10	
R01000090	KIT-RETAINING VALVE D10 - 6Pcs	KIT-VALVOLINA DI RITEGNO D.10 - 6Pz	
02060010	COPPER O RING 8.3x13x1.9 ND8	OR RAME 8,3x13x1,9 DN8	
02290016	GASKET O RING D9,5 R5 SIL RED	GUARN. OR D 9,5 R5 SILICONE R.	
R02290016	KIT-GASKET O RING D9,5 SIL RED - 30Pcs	KIT-GUARN. OR D 9,5 SILICONE R. - 30Pz	
04100012	2WAY SOLENOID 1/4-1/4 220-230V50/60hz F1.5 UL TH2xM4	E.V. NC 2VIE 1/4-1/4 220-230V 50/60HZ VITON F1.5CE PIEDI	
R04100012	KIT-2WAY SOLENOID 1/4-1/4 220-230V50/60hz F1.5 - 1Pcs	KIT-E.V. NC 2VIE 1/4-1/4 220-230V 50/60HZ VITON- 1Pz	
04100013	2WAY SOLENOID 1/4-1/4 110-120V60Hz F1.5 UL TH1xM4	E.V. NC 2VIE 1/4-1/4 110-120V 60Hz VITON F1.5 ULPIEDINO	
05000480	DRAIN TRAY VA358	VASCHETTA SCARICO VA358	
05002228	DISCHARGE MANIFOLD DISPENSING GROUP	COLLETORE SCARICO GRUPPI EROG	
05002230	DRAIN RUBBER PLUG D8 x 05002228	TAPPO GOMMA SCARICO D.8 x 05002228	
06200084	5WAY MANIFOLD AURELIA OT-57 USA	CROCIERA 5 VIE AURELIA OT-57 USA	
R06200084	KIT-5WAY MANIFOLD USA - 1Pcs	KIT-CROCIERA 5 VIE - 1Pz	
07300121	FITTING L 1/4 M-M CYLIND ADD. 18.02.97	RACCORDO L 1/4 M-M CILINDRICOAGG. 18.02.97	
R07300121	KIT-FITTING L 1/4 M-M CYLIND - 8Pcs	KIT-RACCORDO L 1/4 M-M CILINDRICO - 8Pz	
07300125	GIGLEUR M8x8 F.0,8 OT-57 +TEA	GIGLER M8x8 F.0,8 OT-57 +TEA	
R07300125	KIT-GIGLEUR M8x8 F.0,8 +TEA - 15Pcs	KIT-GIGLER M8x8 F.0,8 - 15Pz	
07300229	GIGLEUR M8X8 F.0,5 OT-57 + TEA	GIGLER M8x8 F.0,5 OT-57 +TEA	
R07300229	KIT-GIGLEUR M8X8 F.0,5 + TEA - 15Pcs	KIT-GIGLER M8x8 F.0,5 - 15Pz	
07300612	FITTING 1/4 1/4 GAS WITH ORING + RETURN VALVE LOCK	RACCORDO 1/4 1/4 GAS CON OR + BLOCCA VALVOLINARI	
07300858	FITTING 1/4M-1/4M OT-57 USA	RACCORDO 1/4M-1/4M OT-57 USA	
R07300858	KIT-FITTING 1/4M-1/4M - 15Pcs	KIT-RACCORDO 1/4M-1/4M - 15Pz	
09000018	DISPENSING SPHERE TAP 1/4 M-F "BUTTERFLY"	RUBINET. SFERA DISTRIBUTORE 1/4 M-F A FARFALLA	
11600004	SILICONE PIPE 5x9 60Sh PEROX WHITE SEMITRASPARENTE	TUBO SILICONE 5x9 70Sh PEROX TRASPARENTE(1mt=50gr)	
190000113	2 WAYS SOLENOID 1/4-1/4 208-240V 60Hz FKM F1.5 UL NSF	E.V. NC 2VIE 1/4-1/4 208-240V 60Hz FKM F1,5 UL NSF	
98004001	S/S FILTER D8	FILTRO INOX DIAM. 8	
98004016	S/S FILTER D12	FILTRO INOX DIAM. 12	
R98004016	KIT-S/S FILTER D12 - 25Pcs	KIT-FILTRO INOX DIAM. 12 - 25Pz	
98030165	TUBE 1/4 1/4 SEMI-AUTO MODIFY APPIA 1-2-3GR	TUBO 1/4 1/4 MODIFICA SEMIAUT APPIA 1-2-3 GR.	
98030752	MANIFOLD 2GR. APPIA19 COMPACT	CROCIERA 2GR. APPIA19 COMPACT	
98030754	E.V. PIPE TAP-LEVEL BOILER CHARGE APPIA19 COMPACT	TUBO E.V. LIVELLO-RUB. CARICO CALDAIA APPIA19COMP.	
98030756	CONNECTION PIPE HYDRAULIC GROUP-RIGHT EXCHANGE	TUBO COLL. GR.IDRAUL.- SCAMB. DX APPIA19 COMPACT	
98030758	CONNECTION PIPE HYDRAULIC GROUP-LEFT EXCHANGE	TUBO COLL. GR.IDRAUL.- SCAMB. SX APPIA19 COMPACT	
98030760	E.V. PIPE MANIFOLD-LEVEL APPIA19 COMPACT	TUBO E.V. LIVELLO-CROCIERA APPIA19 COMPACT	
98120001	NEPLAX VITON 16,5 BAR VALVE 1/8 HOSE CLAMP	VALVOLA NEPLAX VITON 16,5 BAR 1/8 - PORTAGOMMA	
R98120001	KIT-NEPLAX VITON 16,5 BAR VALVE 1/8 HOSE CLAMP - 2F	KIT-VALVOLA NEPLAX VITON 16,5 BAR 1/8 - PORTAGOMMA/	

LEFT

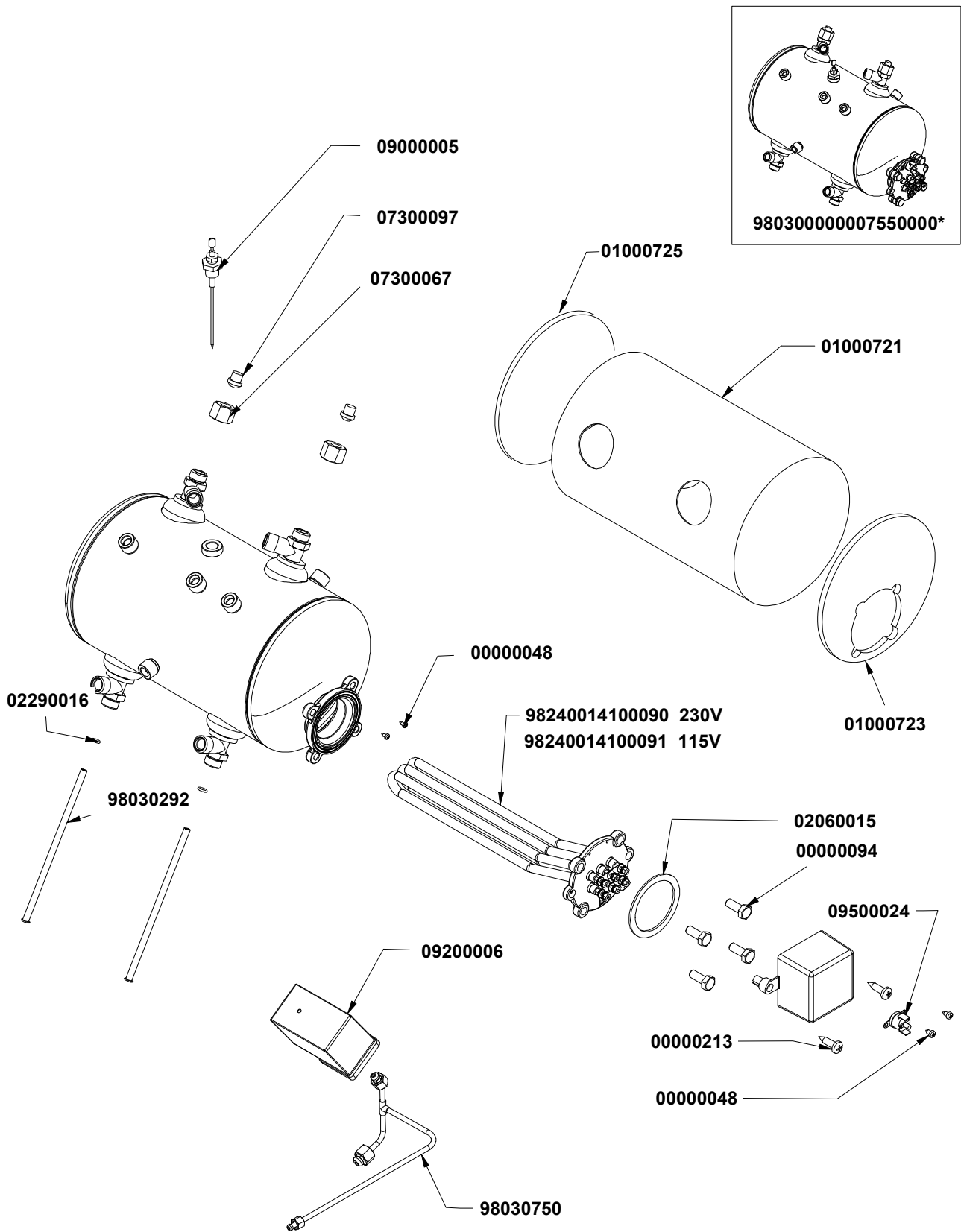


RIGHT



T.08-bis

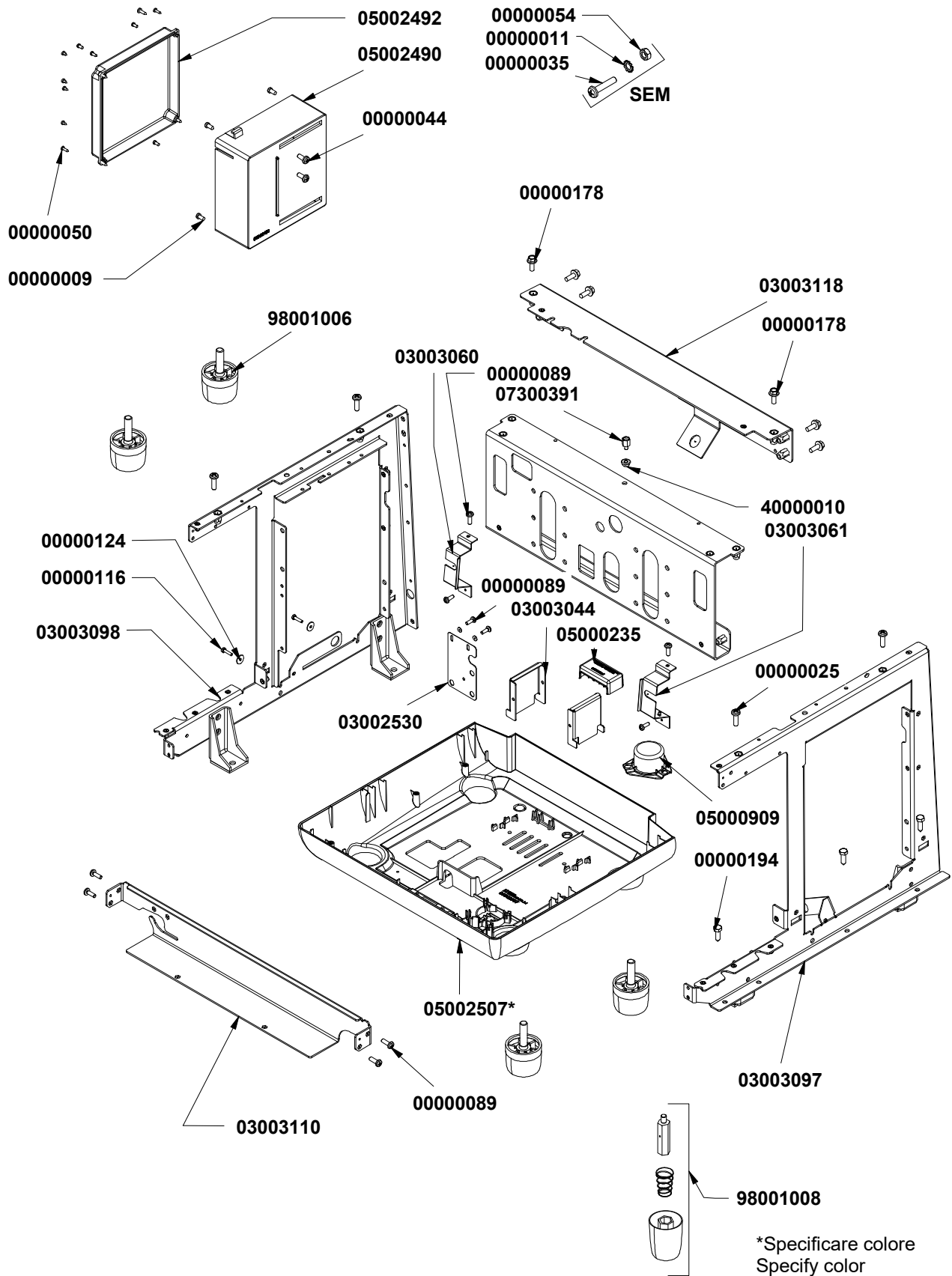
COD.	DESCRIPTION	DESCRIZIONE	VAL.
02280032	GASKET O RING 114 D15 EP 851	GUARN. OR 114 D.15 EP 851	
R02280032	KIT-GASKET O RING 114 D15 EP - 25Pcs	KIT-GUARN. OR 114 D.15 EP - 25Pz	
04900025	BRASS FLOWMETER 1/4-1/4 GAS-ATT. HEAD 2,8x0,5 F 1,2	DOSATORE VOLUMETRICO OTT. 1/4-1/4 GAS-ATT. TEST.2,	
07300100.G5	CONNECTION 1/4M-1/4M GIGLER F.0,5 OT-57 USA	ATTACCO SCAR. 1/4M-1/4M GIGLER F.0,5 OT-57 USA	
07300100.M8	DISCHARGE ATTACHMENT 1/4 1/4 + INT M8 OT-57 USA	ATTACCO SCAR. 1/4-1/4 + INT M8 OT-57 USA	
R07300100.M8	KIT-DISCHARGE ATTACHMENT 1/4 1/4 + INT - 8Pcs	KIT-ATTACCO SCAR. 1/4-1/4 + INT M8 - 8Pz	
07300229	GIGLEUR M8X8 F.0,5 OT-57 + TEA	GIGLER M8x8 F.0,5 OT-57 +TEA	
R07300229	KIT-GIGLEUR M8X8 F.0,5 + TEA - 15Pcs	KIT-GIGLER M8x8 F.0,5 - 15Pz	
07300443	FITTING 1/4M 1/4M GIGLER F.0,8 OT-57 USA	RACCORDO 1/4M 1/4M GIGLER F.0,8 OT-57 USA	
07300858	FITTING 1/4M-1/4M OT-57 USA	RACCORDO 1/4M-1/4M OT-57 USA	
R07300858	KIT-FITTING 1/4M-1/4M - 15Pcs	KIT-RACCORDO 1/4M-1/4M - 15Pz	
98004016	S/S FILTER D12	FILTRO INOX DIAM. 12	
R98004016	KIT-S/S FILTER D12 - 25Pcs	KIT-FILTRO INOX DIAM. 12 - 25Pz	
98030756	CONNECTION PIPE HYDRAULIC GROUP-RIGHT EXCHAN	TUBO COLL. GR.IDRAUL.- SCAMB. DX APPIA19 COMPACT	
98030758	CONNECTION PIPE HYDRAULIC GROUP-LEFT EXCHANG.	TUBO COLL. GR.IDRAUL.- SCAMB. SX APPIA19 COMPACT	



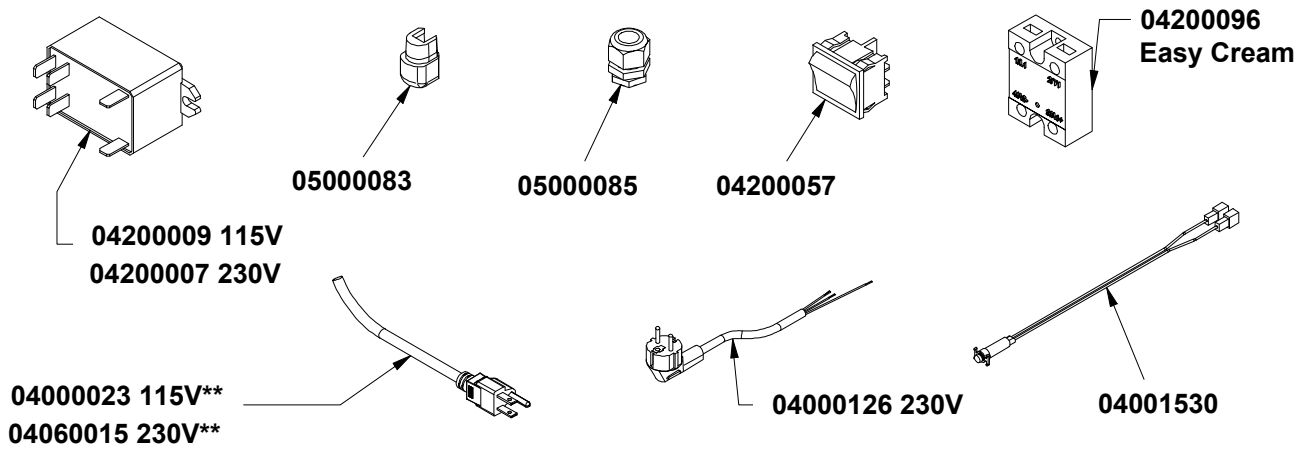
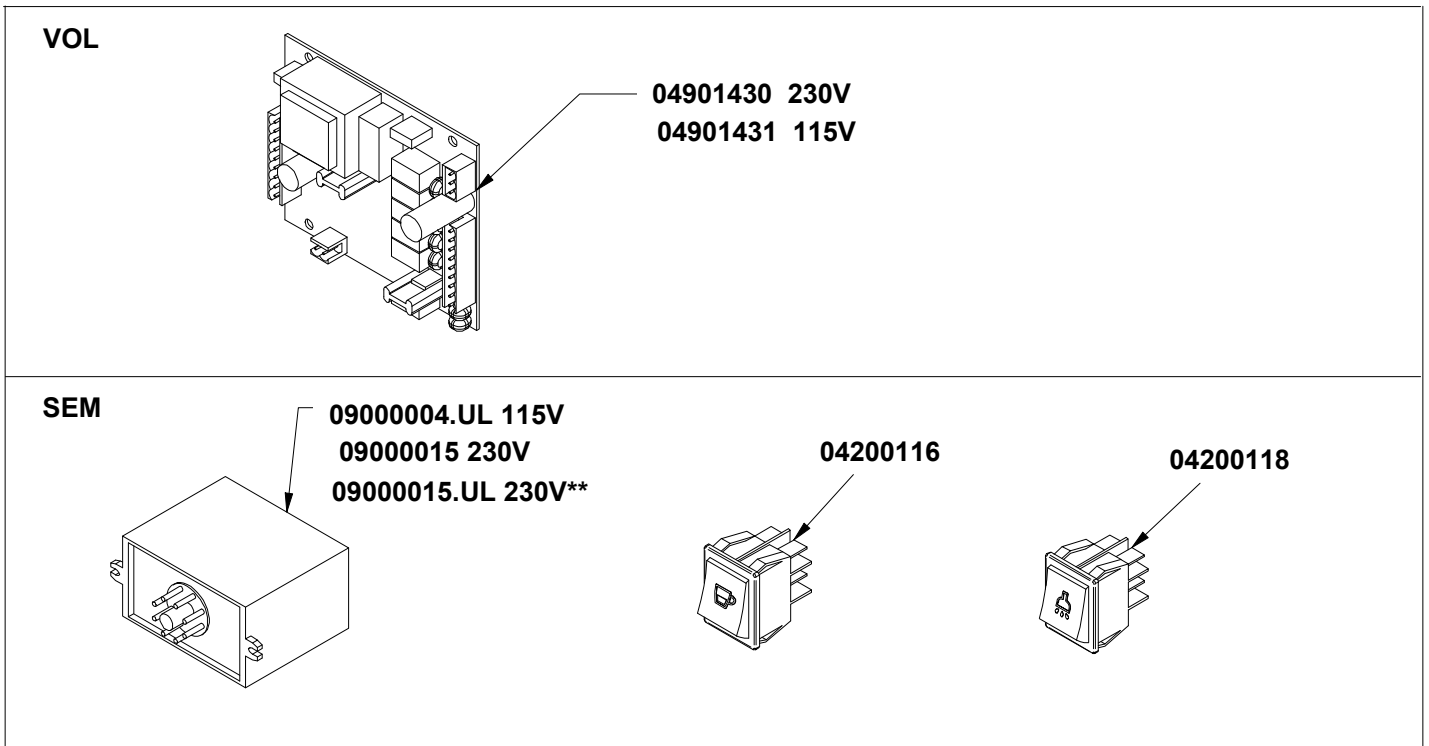
\*Specificare versione  
 Specify version

T.09

COD.	DESCRIPTION	DESCRIZIONE	VAL.
00000048	SELF-TAPPING SCREW 2.9x4.5 TC/T.CR.	VITE AUTOF 2,9x4,5 TC/T.CR.	
00000094	S/S HEX CAP SCREW M8x20 5739	VITE INOX M8x20 TE 5739	
00000213	GALV SELF-TAPPING SCREW 4,2x16 TC T.CR.	VITE AUTOF 4,2x16 TC T.CR. ZIN	
01000721	BOILER INSULATION COMPACT	ISOLANTE CALDAIA APPRIA LIFE COMPACT MELAMMINA	
01000723	RIGHT BOILER INSULATION COMPACT	ISOLANTE D.171 DX CALDAIA APPRIA LIFE COMPACT MELAI	
01000725	LEFT BOILER INSULATION COMPACT	ISOLANTE D.171 SX CALDAIA APPRIA LIFE COMPACT MELAI	
02060015	GASKET FOR HEATING ELEMENT 067x054x2	GUARNIZIONE PTFE 067x054x2	
R02060015	KIT-GASKET FOR HEATING ELEMENT 067x054x2 - 8Pcs	KIT-GUARNIZIONE PTFE 067x054x2 - 8Pz	
02290016	GASKET O RING D9,5 R5 SIL RED	GUARN. OR D 9,5 R5 SILICONE R.	
R02290016	KIT-GASKET O RING D9,5 SIL RED - 30Pcs	KIT-GUARN. OR D 9,5 SILICONE R. - 30Pz	
07300067	NUT FITTING 3/8 GAS D11 ADD. 15.11.84 OT-58	DADO RACCORDO 3/8 GAS D11 AGG. 15.11.84 OT-58	
07300097	CLOSED TERMINAL D14 OT-57	TERMINALE CHIUSO D 14 OT-57	
09000005	COMPLETE AUTOLEVEL PROBE L=130	SONDA AUTOLIVELLO COMP. L=130	
R09000005	KIT-COMPLETE AUTOLEVEL PROBE L=130 - 1Pcs	KIT-SONDA AUTOLIVELLO COMP. L=130 - 1Pz	
09200006	MACHINE PRESSO GAUGE CE/UL TRIF. 30A 400V 0,5-1,4E	PRESSOSTATO MACCHINA CE/UL TRIF. 30A 400V0,5-1,4BA	
R09200006	KIT-MACHINE PRESSO GAUGE CE/UL TRIF. 30A 400V - 1P	KIT-PRESSOSTATO MACCHINA CE/UL TRIF. 30A 400V- 1Pz	
09500024	MANUAL THERMOSTAT 135°C TRIP FREE GREEN DRIPPIII	TERMOSTATO R.MAN. 135°C TRIP FREE GOCCIOLATURAV	
98030292	INTERNAL TEFLON TUBE EXCHANGER D6 X 160mm	TUBO TEFLON INT. SCAMBIATORE D.6 x 160 mm.	
98030750	CROSSPIECE PRESSURE SWITCH-MANOMETER	CROCIERA PRESSOSTATO-MANOMETRO APPRIA19 COMPA	
980300000007550001	COMPLETE BOILER SET 230V 50/60Hz	ASS. CALDAIA COMP. 230V 50/60Hz	
R98240014100090	KIT-HEATING ELEMENT W/ NUTS 2600W -1Pcs	KIT -RESISTENZA COMPLETA DI DADI 2600W-1PZ	
980300000007550002	COMPLETE BOILER SET 115V 60Hz	ASS. CALDAIA COMP. 115V 60Hz	
98240014100091	HEATING ELEMENT W/ NUTS 1500W 115V	RESISTENZA COMPLETA DI DADI 1500W 115V	
98240014100090	HEATING ELEMENT W/ NUTS 2600W	RESISTENZA COMPLETA DI DADI 2600W	
R98240014100090	KIT-HEATING ELEMENT W/ NUTS 2600W -1Pcs	KIT -RESISTENZA COMPLETA DI DADI 2600W-1PZ	



COD.	DESCRIPTION	DESCRIZIONE	VAL.
00000009	GALV SELF-TAPPING SCREW 3,5x6,5 MUSTAD	VITE AUTOF 3,5x8 Z.B. HILO TC TCR	
00000011	S/S KNURLED WASHER M4 UNI8842/A	RONDELLA INOX M4 ZIGRINATA UNI8842/A	
00000025	GALV CROSS HEAD CAP SCREW AQ M6x20	VITE AQ M6x20 TC T.CR. ZINC	
00000035	GALV CROSS HEAD/CAP SCREW M4X20	VITE AQ M4x20 TC T.CR. ZINC	
00000044	GALV CROSS HEAD/CAP SCREW M4x10	VITE AQ M4x10 TC T.CR. ZINC	
00000050	CROSS HEAD/CAP SELF-TAPPING CHIPBOARD SCREW 3	VITE AUTOF 3,5x12 TC/T.CR. TRUCIOLARE	
00000054	GALV HIGH NUT M4	DADO AQ M4 ALTO ZINCATO	
00000089	S/S CROSSHEAD CAP SCREW M4x12 DIN7985	VITE INOX M4x12 TC TCR DIN7985	
00000116	GALV HEX CAP SCREW M4x16	VITE AQ M4x16 TE ZINC	
00000124	GALV WASHER D4 3x16x1.5	RONDELLA AQ D4.3x16x1.5 ZINC.	
00000178	GALV FLANGED KNURLED HEX CAP SCREW 8.8 M6x16	VITE AQ 8.8 M6x16 TE FLANG. ZIGR. ZINC. BIANCO	
00000194	GALV 10 HEX HEAD CHIPBOARD SCREW 6X20	VITE TRUCIOL. 6x20 T.ES.10 ZIN DIN571	
03002530	GAUGE SUPPORT AURELIA II	STAFFA SUP. MANOM. AURELIA II	
03003044	BOILER SUPPORT APPIA 2GR/APPIA II 2 GR-COMPACT	LAMIERA SUPPORTO CALDAIA APPIA 2GR/APPIA II2GR-CC	
03003060	LEFT STEAM TAP SUPPORT APPIA II	SUPP. RUB. VAPORE SX STAMPATA APPIA II	
03003061	RIGHT STEAM TAP SUPPORT APPIA II	SUPP. RUB. VAPORE DX STAMPATA APPIA II	
03003097	RIGHT SIDE FRAME APPIA19	FIANCO DX STAMPATO TELAIO APPIA19	
03003098	LEFT SIDE FRAME APPIA19	FIANCO SX STAMPATO TELAIO APPIA19	
03003110	COMMAND SUPPORT PLATE 2GR APPIA19 COMPACT	LAMIERA SUPP.INVOLUCRO COMANDI 2GR. APPIA19COMI	
03003118	SUPERIOR BACKSIDE L PLATE 2GR APPIA19 COMPACT	LAMIERA L SUP. POSTERIORE 2GR. APPIA19 COMPACT(UI	
05000235	CLAMP COVER FOR WIRING	COPRI MORSETTO CABLAGGI	
05000909	CYLINDRICAL SWITCH PROTECTION	COPRI INTERRUTTORE CILINDRICO	
05002490	CENTRAL BOARD SUPPORT BOX APPIA19	SCATOLA SUPPORTO CENTRALINA APPIA19	
05002492	CENTRAL BOARD SUPPORT BOX COVER APPIA19	COPERCHIO SCATOLA SUPPORTO CENTRALINA APPIA19	
05002507.BV	BASE 2GR APPIA19 COMPACT PIANTED WHITE	BASAMENTO 2GR. APPIA19 COMPACT BIANCO VERNICIAT	
05002507.N	BASE 2GR. APPIA19 COMPACT - BLACK	BASAMENTO 2GR. APPIA19 COMPACT NERO FOTOINCISO	
05002507.NOV	BASE 2GR APPIA19 COMPACT PIANTED MATT BLACK	BASAMENTO 2GR. APPIA19 COMPACT NERO OPACO VERI	
05002507.RV	BASE 2GR APPIA19 COMPACT PIANTED RED	BASAMENTO 2GR. APPIA19 COMPACT ROSSO VERNICIAT	
07300391	EXTENSION CUP WARMER FIXING VA358	PROLUNGA FISSAGGIO SCALDATAZZE VA358	
40000010	NUT M6 W/ WELDED GALV WASHER	DADO AQ M6 RONDELLA SALDATA ZINCATO	
98001006	MACHINE FOOT 06 BICOMPONENT D48H40 INSERT M10	PIEDE MACCHINA 06 BICOMPONENTE D.48 H=40 INSERTO	
98001008	KIT TALL FEET 2006 (4 PCS.)	KIT PIEDI ALTI 2006 (4 pz.)	



\*\*North America Market  
Mercato Nord America

ELECTRICAL COMPONENTS		
Code	Description	Descrizione
04000368	Supplementary wiring	Cablaggio supplementare
04000806	Cable cupwarmer	Cavo scaldatazze
04000816	Wiring cupwarmer	Cablaggio scaldatazze
04001521	Wiring VOL	Cablaggio VOL
04001520	Wiring SEM	Cablaggio SEM
04001520.P	Wiring pushbutton	Cablaggio pulsantiera

COD.	DESCRIPTION	DESCRIZIONE	VAL.
04001521	COMPLETE WIRING 2GR V APPIA19 COMPACT	CABLAGGIO COMP. 2GR V APPIA19 COMPACT	
04000023	SUPPLY CABLE UL AWG3X16 USA PLUG SHEATH 90°C 3C	CAVO ALIM. AWG3x16 SJO 90°C 300V UL/CSA SPINA USAD	
04000126	ELECTRIC CABLE 2MT CE SCHUKO PLUG 90° 3X1,5	CAVO ELETTR. 2mt CE SPINA SCHUKO 90° 3x1,5 H05VV-F	
04000368	SUPPLEMENTARY WIRING SYSTEM AURELIA 4th GROUP	SUPPLEMENTO 4 <sup>o</sup> GRUPPO AURELIA	
04000806	WIRING CUPWARMER 2-3 GR APPIA	CABLAGGIO SCALDATAZZE 2-3 GR. APPIA	
04000816	POWER WIRING FOR CUPWARMER APPIA II COMPACT	CABLAGGIO ALIMENTAZIONE SCALDATAZZE APPIA IICOMI	
04001520	COMPLETE WIRING 2GR. S	CABLAGGIO COMP. 2GR S APPIA19 COMPACT	
04001520.P	KEYPAD WIRING 2GR S APPIA19 COMPACT	CABLAGGIO PULSANTIERA 2GR S APPIA19 COMPACT	
04001530	INDICATOR LIGHT D6 250V UL + FASTON M 6.3	LAMPADA SPIA D6 250V UL + FASTON M 6,3	
04060015	CABLE+PLUG AWG3x14 SJO UL/CSA 20A 250V NEMA 6-2C	CAVO ALIM. AWG3x14 SJO 90°C UL/CSA 2mt SPINA USADR	
04200007	POWER RELAY 30A 230V BIPOLAR	RELE' DI POTENZA 30A 230V BIPOLARE	
R04200007	KIT-POWER RELAY 30A 230V BIPOLAR - 1Pcs	KIT-RELE' DI POTENZA 30A 230V BIPOLARE - 1Pz	
04200009	POWER RELAY 30A 115V BIPOLAR	RELE' DI POTENZA 30A 115 V BIPOLARE	
04200057	DBL POWER BIPOLAR BIG SWITCH 10A UL 22X19 AURELI	INTERRUT. ACCENSIONE BIPOLE. GRANDE 10A UL 22x19AL	
R04200057	KIT-DBL POWER BIPOLAR BIG SWITCH 10A UL 22X19 - 15	KIT-INTERRUT. ACCENSIONE BIPOLE. GRANDE 10A UL 22x1	
04200096	STATIC RELAY 25A 250V 1OUT	RELE' STATICO 25A 250V 1out	
R04200096	KIT-STATIC RELAY 25A 250V 1OUT-1Pcs	KIT -RELE' STATICO 25A 250V 1OUT-1PZ	
04200116	BLUE LIGHT WHITE BIPOLAR SWITCH UL 16A COFFEE	INTERRUTTORE BIPOLARE LUMINOSO BIANCO RETTANG	
04200118	BLUE LIGHT WHITE BIPOLAR SWITCH UL 16A HOTWATEF	INTERRUTTORE BIPOLARE LUMINOSO BIANCO RETTANG	
04901430	UNIVERSAL CENTRAL BOARD 230V APPIA LIFE	CENTR. UNIVERSALE APPIA Life 230V	
04901431	UNIVERSAL CENTRAL BOARD 115V APPIA LIFE	CENTR. UNIVERSALE APPIA LIFE 115V	
05000083	CABLE LOCK SR 11-2 BLACK	BLOCCACAVO SR 11-2 NERO	
05000085	CABLEGLAND TEC-S M20 D.7-14 CON DADO P-CT M20 Es	PRESSACAVO TEC-S M20 D.7-14 PLASTICA NERO	
09000004.UL	AUTOLEVEL CONTROL BOARD UL 115V	CENTRALINA AUTOLIVELLO UL 115V	
09000015	AUTOLEVEL CONTROL BOARD 230V	CENTRALINA AUTOLIVELLO 230V	
09000015.UL	AUTOLEVEL CONTROL BOARD UL 230V	CENTRALINA AUTOLIVELLO UL 230V	

[www.nuovasimonelli.it](http://www.nuovasimonelli.it)

---

**Simonelli Group**

Via E. Betti, 1  
62020 Belforte del Chienti  
Macerata - Italy  
T +39 07339501  
[info@simonelligroup.it](mailto:info@simonelligroup.it)  
[www.nuovasimonelli.it](http://www.nuovasimonelli.it)

**Nuova Distribution Usa**

6940 Salashan Pkwy, Bldg, A  
Ferndale, WA 98248  
T +1 3603662226  
[info@simonelliusa.com](mailto:info@simonelliusa.com)  
[www.simonelliusa.com](http://www.simonelliusa.com)

**Nuova Simonelli Asia Pacific**

61 Kaki Bukit Ave 1  
#02-24 Shun Li Industrial Park  
Singapore 417943  
T +65 68410985  
[www.nuovasimonelliasiapacific.com](http://www.nuovasimonelliasiapacific.com)

**Nuova Distribution France**

Hexapole - Actipole - Bat 5  
Rue Maurice Herzog  
73420 Viviers Du Lac  
T +33 (0) 967894852  
[info@nuovadistribution.fr](mailto:info@nuovadistribution.fr)