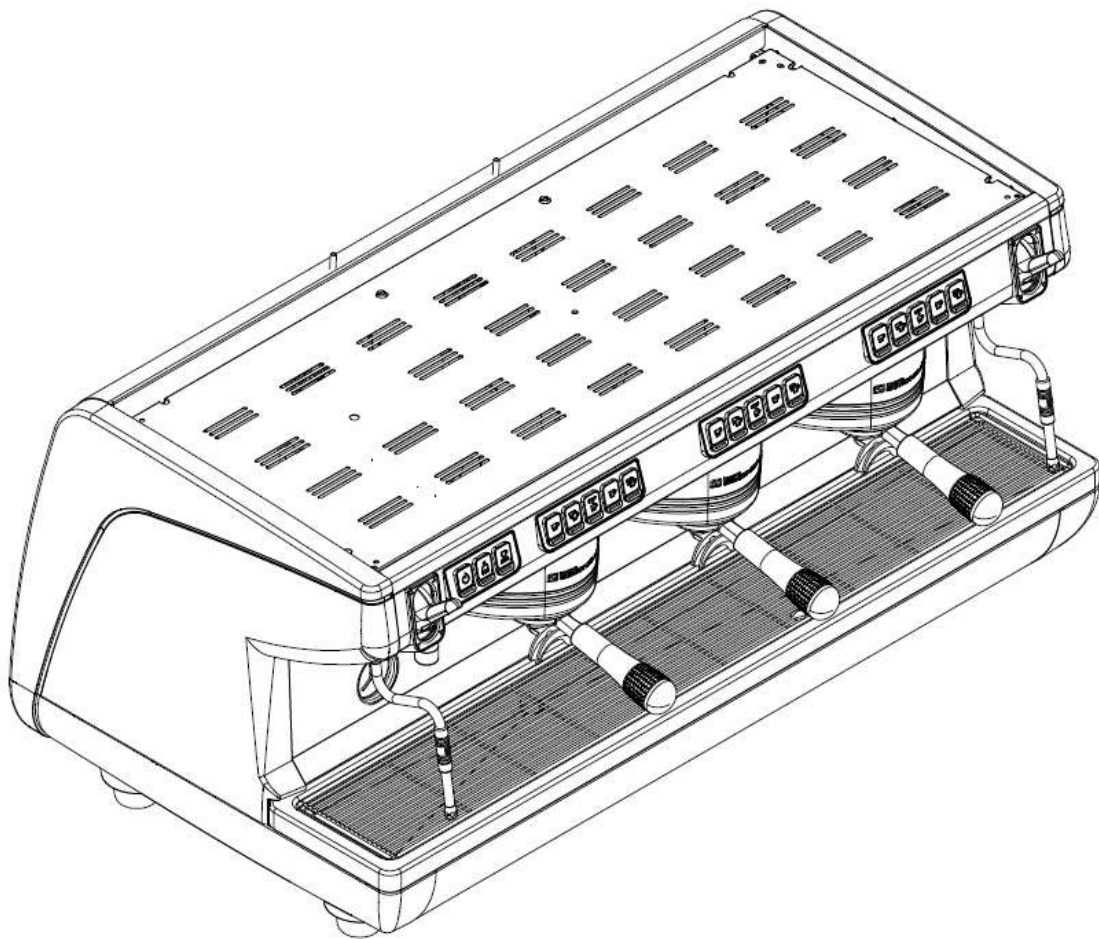


# SPARE PARTS BOOK

**APPIA**  
*Life.*



**2-3 GR. + XT**

08/10/2020

- T.01 **CABINET PARTS**  
COMPONENTI GRUPPO CARENA
- T.02 **CONTROL PANEL ASSEMBLY**  
ASSIEME PULSANTIERA
- T.03 **POURING UNIT GROUP PARTS**  
COMPONENTI GRUPPO EROGAZIONE
- T.04 **HYDRAULIC PARTS**  
COMPONENTI IDRAULICI
- T.05 **STEAM TAPS PARTS**  
PARTI RUBINETTI VAPORE
- T.06 **HOT WATER TAPS PARTS**  
PARTI RUBINETTO ACQUA CALDA
- T.07 **HYDRAULIC GROUP PARTS**  
COMPONENTI GRUPPO IDRAULICO
- T.08 **BOILER GROUP PARTS**  
COMPONENTI GRUPPO CALDAIA
- T.09 **FRAME PARTS**  
COMPONENTI TELAIO
- T.10 **EASYCREAM PARTS**  
COMPONENTI EASYCREAM
- T.11 **ELECTRICAL PARTS**  
COMPONENTI ELETTRICI
- T.12 **LIGHTS PARTS AND WIFI KIT**  
COMPONENTI LUCI E KIT WIFI

» LEGEND :

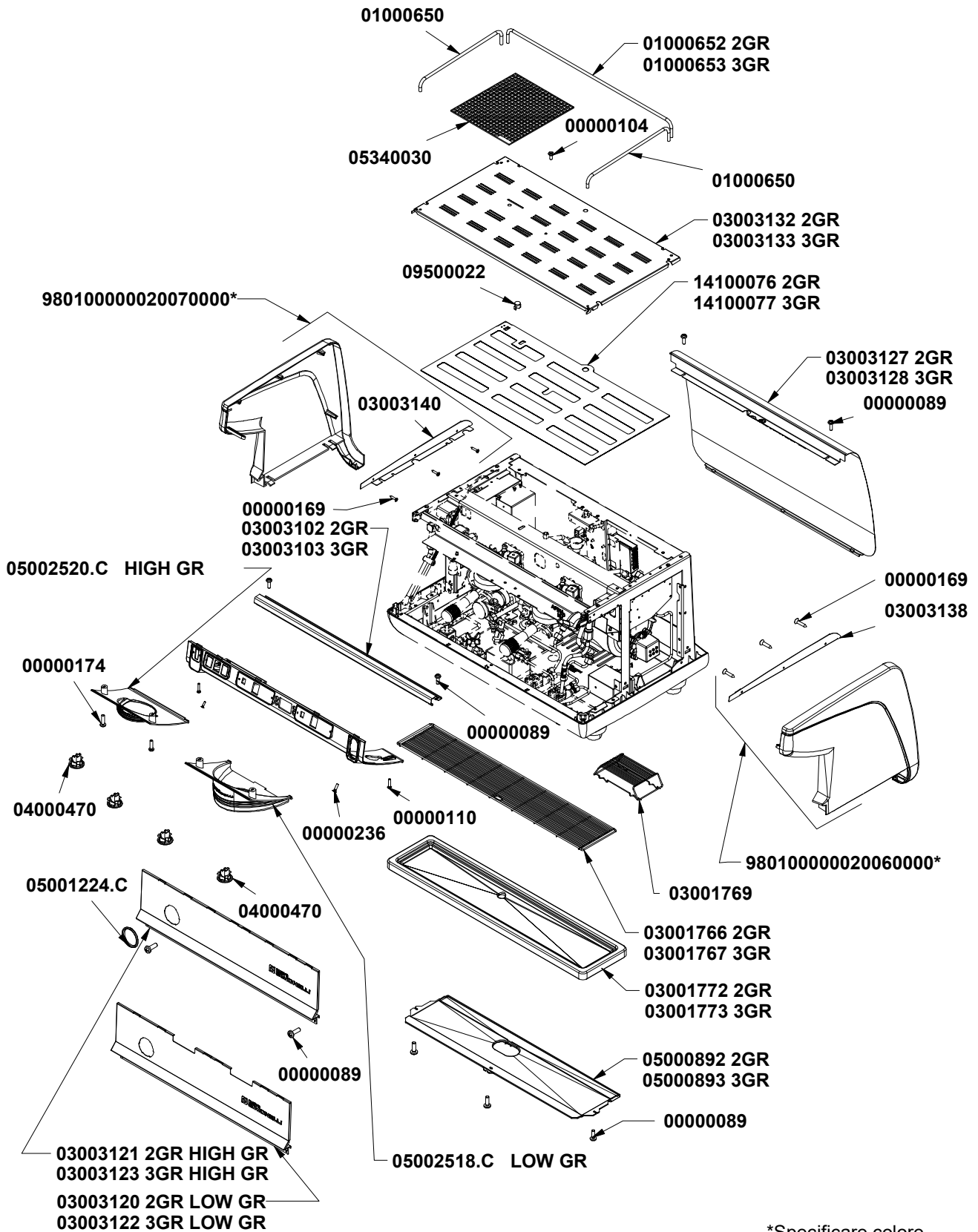
THE CODES WRITTEN IN BOLD REFER TO THE COMPONENTS  
EMPLOYED CURRENTLY.

THE CODES USED BEFORE ARE WRITTEN IN CORSIVE WITH INDICATED,  
ON THE SIDE, THE END OF VALIDITY DATE.

EXAMPLE:

*03001531 - 01/09/2007*

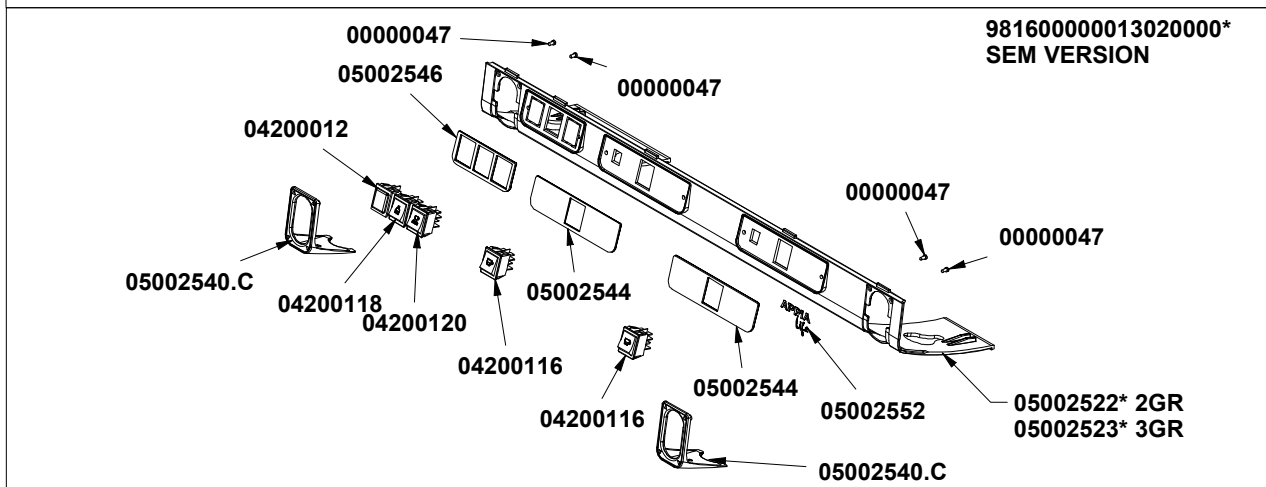
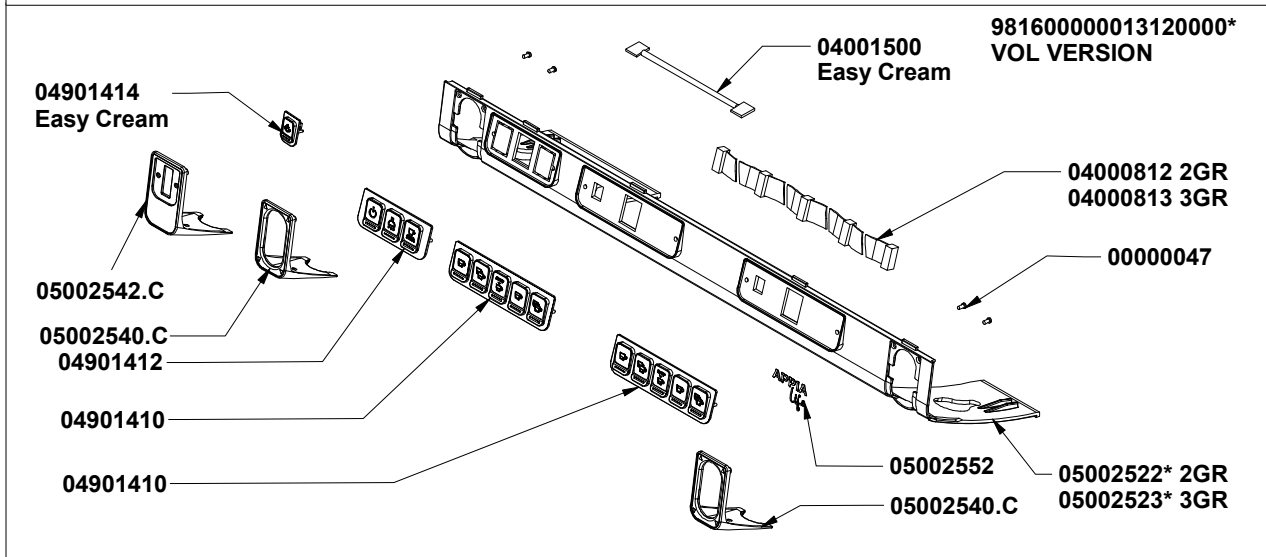
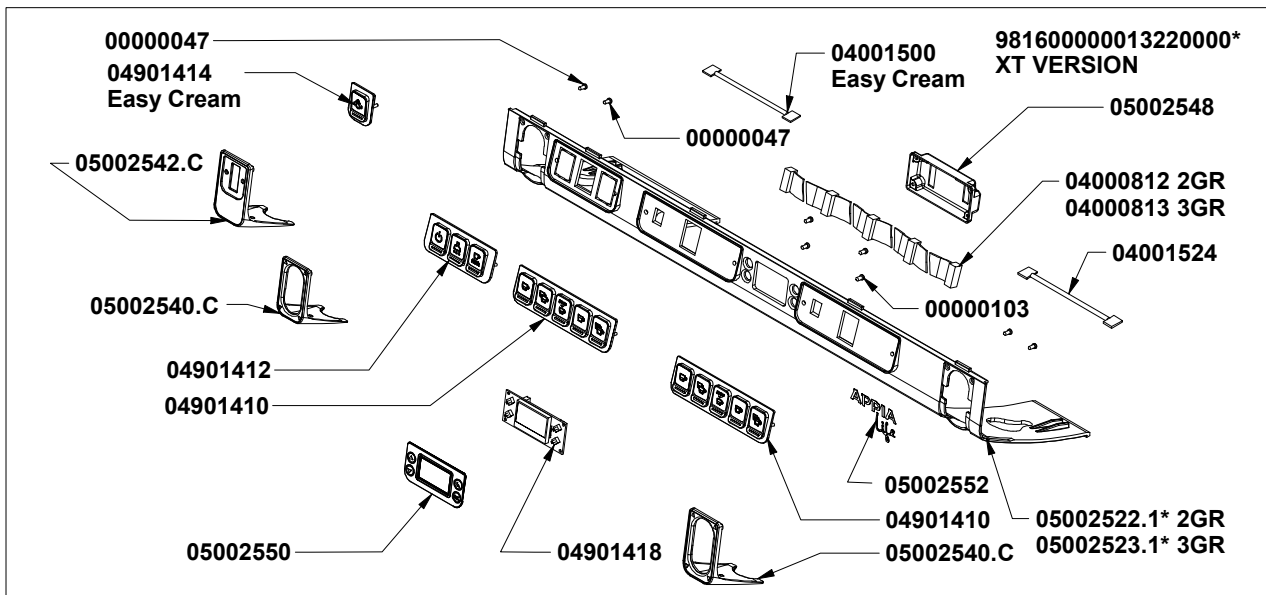
**03001531**



\*Specificare colore  
 Specify color

T.01

COD.	DESCRIPTION	DESCRIZIONE	VAL.
00000089	S/S CROSSHEAD CAP SCREW M4x12 DIN7985	VITE INOX M4X12 TC TCR DIN7985	
00000104	S/S CROSSHEAD COUNTERSUNK SCREW M4x10 DIN965	VITE INOX M4X10 TSP TCR DIN965	
00000110	S/S CROSS HEAD CAP SCREW M4x20 7985	VITE INOX M4X20 TC T.CR. 7985	
00000169	S/S SELF-TAPPING SCREW 2,9x13 TSP/TCR	VITE AUTOF INOX 2,9X13 TSP/TCR	
00000174	S/S CROSSHEAD CAP SCREW M4x16	VITE INOX M4X16 TC TCR	
00000236	SCREW M4X16 TSP TCR	VITE INOX M4X16 TSP TCR	
01000650	CUPWARMER BACKSIDE TUBE APPIA19	TUBO LATERALE SCALDATAZZE APPIA19	
01000652	CUPWARMER BACKSIDE TUBE APPIA19 2GR	TUBO RETRO SCALDATAZZE APPIA19 2GR.	
01000653	CUPWARMER BACKSIDE TUBE APPIA19 3GR	TUBO RETRO SCALDATAZZE APPIA19 3GR.	
03001766	WORKTOP NET 2 GR	RETINA PIANO LAVORO 2 GR. *KBB*	
03001767	WORKTOP NET 3 GR	RETINA PIANO LAVORO 3 GR. *KBB*	
03001769	S/S RAISED CUP STAND	SUPP. TAZZINE INOX *KBB*	
03001772	DRAIN TRAY 2 GR	PIATTO RACCOGLIACQUA 2 GR. * KBB *	
03001773	DRAIN TRAY 3 GR	PIATTO RACCOGLIACQUA 3 GR.	
03003102	COMAND BUTTON WRAPPING 2GR	INVOLUCRO COMANDI 2GR APPIA19	
03003103	COMAND BUTTON WRAPPING 3GR	INVOLUCRO COMANDI 3GR APPIA19	
03003120	FRONTAL PANEL LOW 2GR APPIA19	PARETE FRONTALE GR.BASSI 2GR. APPIA19	
03003121	FRONTAL PANEL RAISED 2GR APPIA19	PARETE FRONTALE GR.ALT1 2GR. APPIA19	
03003122	FRONTAL PANEL LOW 3GR APPIA19	PARETE FRONTALE GR.BASSI 3GR. APPIA19	
03003123	FRONTAL PANEL RAISED 3GR APPIA19	PARETE FRONTALE GR.ALT1 3GR. APPIA19	
03003127	REAR COVER 2GR	CARENA RETRO 2GR.	
03003128	REAR COVER 3GR	CARENA RETRO 3GR.	
03003132	CUP HOLDER PLATE 2GR	PIATTO PORTATAZZE 2GR	
03003133	CUP HOLDER PLATE 3GR	PIATTO PORTATAZZE 3GR	
03003138	UPPER PLATE RIGHT SIDE	MOSTRINA SUP. FIANCO DX	
03003140	UPPER PLATE LEFT SIDE	MOSTRINA SUP. FIANCO SX	
04000470	12VDC LED SPOT AURELIA WAVE	LED AURELIA18 12V	
05000892	SAFETY COVER WORKTOP 2 ABS	CHIUSURA SICUR. PIANO LAVORO 2 ABS *KBB*	
05000893	SAFETY COVER WORKTOP 3 ABS	CHIUSURA SICUR. PIANO LAVORO 3 ABS *KBB*	
05001224.C	WATER GAUGE PLATE AURELIA II CHROME	MOSTRINA MANOMETRO AURELIA II CROMATA	
05002518.C	GROUP COVER LOW GR APPIA19 W/LOGO CHROME	COPRIGRUPPO GR. BASSO APPIA19 CON LOGO CROMATI	
05002520.C	GROUP COVER RAISED GR APPIA19 W/LOGO CHROME	COPRIGRUPPO GR. ALTO APPIA19 CON LOGO CROMATO	
05340030	NYLON GRILL 370x335	GRIGLIA MODULO 370X335	
09500022	AUTOMATIC THERMOSTAT 75°C BROWN DRIPPING	TERMOSTATO R.AUT. 75°C GOCCIOLATURA MARRONE	
14100076	ADHESIVE SILICONE HEATING ELEMENT-CUPWARMER 2	RESISTENZA ADESIVA SCALDATAZZE 2GR.	
14100077	ADHESIVE SILICONE HEATING ELEMENT-CUPWARMER 3	RESISTENZA ADESIVA SCALDATAZZE 3GR.	
980100000020060001	RIGHT SIDE PANEL SET BLACK	ASS. FIANCO DX NERO	
980100000020060002	RIGHT SIDE PANEL SET WHITE	ASS. FIANCO DX BIANCO	
980100000020060003	RIGHT SIDE PANEL SET RED	ASS. FIANCO DX ROSSO	
980100000020060004	RIGHT SIDE PANEL SET MATT BLACK	ASS. FIANCO DX NERO OPACO	
980100000020070001	LEFT SIDE PANEL SET BLACK	ASS. FIANCO SX NERO	
980100000020070002	LEFT SIDE PANEL SET WHITE	ASS. FIANCO SX BIANCO	
980100000020070003	LEFT SIDE PANEL SET RED	ASS. FIANCO SX ROSSO	
980100000020070004	LEFT SIDE PANEL SET MATT BLACK	ASS. FIANCO SX NERO OPACO	



\* Specificare versione  
 Specify version

COD.	DESCRIPTION	DESCRIZIONE	VAL.
00000047	CROSS HEAD/CAP SELF-TAPPING SCREW 2,9x6,5	VITE AUTOF 2,9X6,5 TC/T.CR.	
00000103	GALV SELF-TAPP. CROSS HEAD CAP SCREW 3.9x6.5	VITE AUTOF 3,9X6,5 TC T.CR.ZIN	
04000812	CABLE 14 WAY KEYPAD 2GR APPIA + SHEATH	CAVO 14 VIE COLL.PULSANTIERA 2GR APPIA + GUAINA	
04000813	CABLE 14 WAY KEYPAD 3GR APPIA + SHEATH	CAVO 14 VIE COLL.PULSANTIERA 3GR APPIA + GUAINA	
04001500	EASYCREAM BUTTON-MAIN BOARD CONNECTION CABLE	CAVO COLL. TASTO REMOTO - CENTRALINA EASY CREAM	
04001524	CONN CABLE DISPLAY-CENTRAL BOARD APPIA19	CAVO COLL. DISPLAY-CENTRALINA APPIA19	
04200012	RED FLASHING SEGNA SYSTEM UL	SEGNALATORE LUMINOSO ROSSO RETTANGOLARE UL	
04200116	BLUE LIGHT WHITE BIPOLAR SWITCH UL 16A COFFEE	INTERRUTTORE BIPOLARE LUMINOSO BIANCO RETTANGOLARE	
04200118	BLUE LIGHT WHITE BIPOLAR SWITCH UL 16A HOTWATER	INTERRUTTORE BIPOLARE LUMINOSO BIANCO RETTANGOLARE	
04200120	BLUE LIGHT WHITE BIPOLAR SWITCH UL 16A CUPWARM	INTERRUTTORE BIPOLARE LUMINOSO BIANCO RETTANGOLARE	
04901410	5KEY DISPENSING KEYPAD APPIA19 V	SCHEDA EROG. 5 TASTI APPIA19 V	
04901412	3KEY DISPENSING KEYPAD APPIA19 V	SCHEDA SERV. 3 TASTI APPIA19 V	
04901414	STEAM DISPENSING KEY APPIA19 V	SCHEDA EROGAZ. 1 TASTO VAPORE APPIA19 V	
04901418	DISPLAY BOARD APPIA19 XT	SCHEDA DISPLAY APPIA19 XT	
05002522.N	KEYPAD 2GR APPIA19 BLACK	PULSANTIERA 2GR. APPIA19 NERO	
05002522.NOV	KEYPAD 2GR APPIA19 PAINTED MATTE BLACK	PULSANTIERA 2GR. APPIA19 NERO OPACO VERNICIATO	
05002522.RV	KEYPAD 2GR APPIA19 PAINTED RED	PULSANTIERA 2GR. APPIA19 ROSSO VERNICIATO	
05002522.1BV	KEYPAD 2GR APPIA19 W/ DISPL. OPENING PAINTED WHITE	PULSANTIERA 2GR. APPIA19 CON APERTURA DISPLAY BIANCA	
05002522.1NOV	KEYPAD 2GR APPIA19 W/DISPL OPENING PAINT MATTE BLACK	PULSANTIERA 2GR. APPIA19 CON APERTURA DISPLAY NERA	
05002522.1RV	KEYPAD 2GR APPIA19 WDISPLAY OPENING PAINTED RED	PULSANTIERA 2GR. APPIA19 CON APERTURA DISPLAY ROSSA	
05002523.BV	KEYPAD 3GR APPIA19 PAINTED WHITE	PULSANTIERA 3GR. APPIA19 BIANCO VERNICIATO	
05002523.NOV	KEYPAD 3GR APPIA19 PAINTED MATTE BLACK	PULSANTIERA 3GR. APPIA19 NERO OPACO VERNICIATO	
05002523.RV	KEYPAD 3GR APPIA19 PAINTED RED	PULSANTIERA 3GR. APPIA19 ROSSO VERNICIATO	
05002523.1BV	KEYPAD 3GR APPIA19 W/DISPLAY OPENING PAINTED WHITE	PULSANTIERA 3GR. APPIA19 CON APERTURA DISPLAY BIANCA	
05002523.1NOV	KEYPAD 3GR APPIA19 W/DISPLAY OPENING PAINTED MATTE BLACK	PULSANTIERA 3GR. APPIA19 CON APERTURA DISPLAY NERA	
05002523.1RV	KEYPAD 3GR APPIA19 W/DISPLAY OPENING PAINTED RED	PULSANTIERA 3GR. APPIA19 CON APERTURA DISPLAY ROSSA	
05002540.C	APPIA19 STEAM KNOB CHROME PLATED COVER	MOSTRINA MANOPOLA VAPORE APPIA19 CROMATA	
05002542.C	APPIA19 EASYCREAM CHROME PLATED COVER	MOSTRINA PULSANTE EASY CREAM APPIA19 CROMATA	
05002544	DISPENSING KEY TAB S	MOSTRINA TASTO EROG. S	
05002546	SERVICE KEYS TAB S	MOSTRINA TASTI SERV. S	
05002548	CLOSING DISPLAY CARD V	CHIUSURA SCHEDA DISPLAY V	
05002550	CARD BUTTONS FILM	PELLICOLA PULSANTI SCHEDA	
05002552	APPIA LIFE ADHESIVE CHROME PLATED LABEL METALFLEX	ETICHETTA AD "APPIA LIFE" METALFLEX CROMO	
981600000013020001	PUSHBUTTON PANEL ASSEMBLY 2GR SEM BLACK	ASS. PULSANT. COMP. 2GR SEM NERO	
981600000013020002	PUSHBUTTON PANEL ASSEMBLY 2GR SEM WHITE	ASS. PULSANT. COMP. 2GR SEM BIANCO	
981600000013020003	PUSHBUTTON PANEL ASSEMBLY 2GR SEM RED	ASS. PULSANT. COMP. 2GR SEM ROSSO	
981600000013020004	PUSHBUTTON PANEL ASSEMBLY 2GR SEM MATT BLACK	ASS. PULSANT. COMP. 2GR SEM NERO OPACO	
981600000013120001	COMPLETE KEYPAD SET 2GR VOL BLACK	ASS. PULSANT.COMP. 2GR VOL NERO	
981600000013120002	COMPLETE KEYPAD SET 2GR VOL WHITE	ASS. PULSANT.COMP. 2GR VOL BIANCO	
981600000013120003	COMPLETE KEYPAD SET 2GR VOL RED	ASS. PULSANT.COMP. 2GR VOL ROSSO	
981600000013120004	COMPLETE KEYPAD SET 2GR VOL EASY CREAM RIGHT BLACK	ASS. PULSANT.COMP. 2GR VOL EASY CREAM DX NERO	
981600000013120005	COMPLETE KEYPAD SET 2GR VOL EASY CREAM RIGHT WHITE	ASS. PULSANT.COMP. 2GR VOL EASY CREAM DX BIANCO	
981600000013120006	COMPLETE KEYPAD SET 2GR VOL EASY CREAM RIGHT RED	ASS. PULSANT.COMP. 2GR VOL EASY CREAM DX ROSSO	
981600000013120007	COMPLETE KEYPAD SET 2GR VOL EASY CREAM LEFT BLACK	ASS. PULSANT.COMP. 2GR VOL EASY CREAM SX NERO	
981600000013120008	COMPLETE KEYPAD SET 2GR VOL EASY CREAM LEFT WHITE	ASS. PULSANT.COMP. 2GR VOL EASY CREAM DX BIANCO	
981600000013120009	COMPLETE KEYPAD SET 2GR VOL EASY CREAM LEFT RED	ASS. PULSANT.COMP. 2GR VOL EASY CREAM SX ROSSO	
981600000013120010	COMPLETE KEYPAD SET 2GR VOL TURBO CREAM LEFT BLACK	ASS. PULSANT.COMP. 2GR VOL TURBO CREAM SX NERO	
981600000013120011	COMPLETE KEYPAD SET 2GR VOL MATT BLACK	ASS. PULSANT.COMP. 2GR VOL NERO OPACO	
981600000013120012	COMPLETE KEYPAD SET 2GR VOL EC RIGHT MATT BLACK	ASS. PULSANT.COMP. 2GR VOL EASY CREAM DX NERO OPACO	
981600000013120013	COMPLETE KEYPAD SET 2GR VOL EC LEFT MATT BLACK	ASS. PULSANT.COMP. 2GR VOL EASY CREAM SX NERO OPACO	

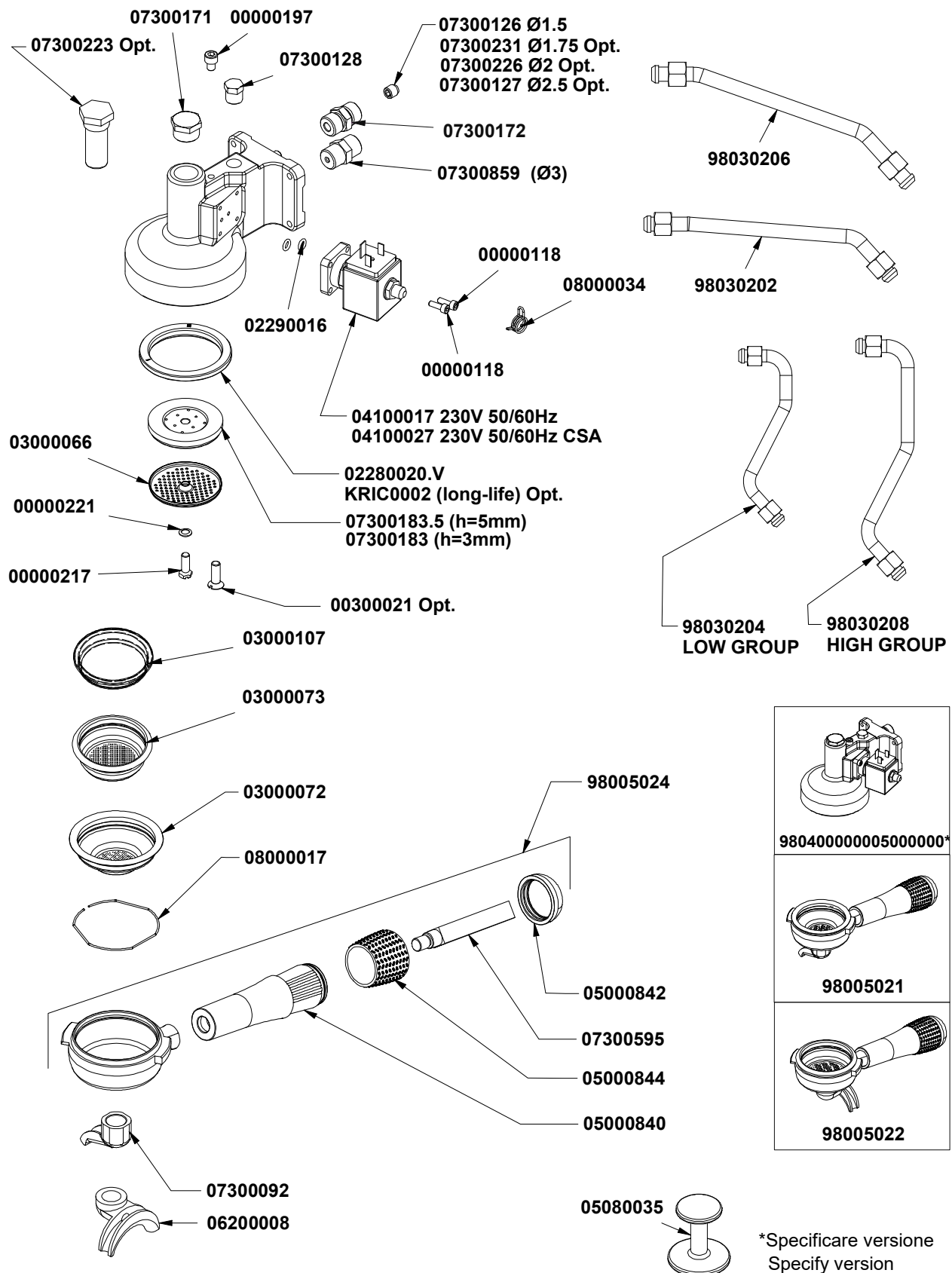
**APPIA** 2-3 GR + XT  
*Life.* 2-3 GR + XT

**ASSIEME PULSANTIERA**

**CONTROL PANEL ASSEMBLY**

COD.	DESCRIPTION	DESCRIZIONE	VAL.
98160000013220001	COMPLETE KEYPAD SET 2GR VOL+DISPLAY MATT BLACI	ASS. PULSANT.COMP. 2GR VOL+DISPLAY NERO OPACO	
98160000013220002	COMPLETE KEYPAD SET 2GR VOL+DISPLAY WHITE	ASS. PULSANT.COMP. 2GR VOL+DISPLAY BIANCO	
98160000013220003	COMPLETE KEYPAD SET 2GR VOL+DISPLAY RED	ASS. PULSANT.COMP. 2GR VOL+DISPLAY ROSSO	
98160000013220004	COMPLETE KEYPAD SET 2GR VOL+DISPLAY EASY CREA	ASS. PULSANT.COMP. 2GR VOL+DISPLAY EASY CREAM D;	
98160000013220005	COMPLETE KEYPAD SET 2GR VOL+DISPLAY EASY CREA	ASS. PULSANT.COMP. 2GR VOL+DISPLAY EASY CREAM D;	
98160000013220006	COMPLETE KEYPAD SET 2GR VOL+DISPLAY EASY CREA	ASS. PULSANT.COMP. 2GR VOL+DISPLAY EASY CREAM D;	
98160000013220007	COMPLETE KEYPAD SET 2GR VOL+DISPLAY EASY CREA	ASS. PULSANT.COMP. 2GR VOL+DISPLAY EASY CREAM S;	
98160000013220008	COMPLETE KEYPAD SET 2GR VOL+DISPLAY EASY CREA	ASS. PULSANT.COMP. 2GR VOL+DISPLAY EASY CREAM S;	
98160000013220009	COMPLETE KEYPAD SET 2GR VOL+DISPLAY EASY CREA	ASS. PULSANT.COMP. 2GR VOL+DISPLAY EASY CREAM S;	

**APPIA** *Life.*



\*Specificare versione  
 Specify version

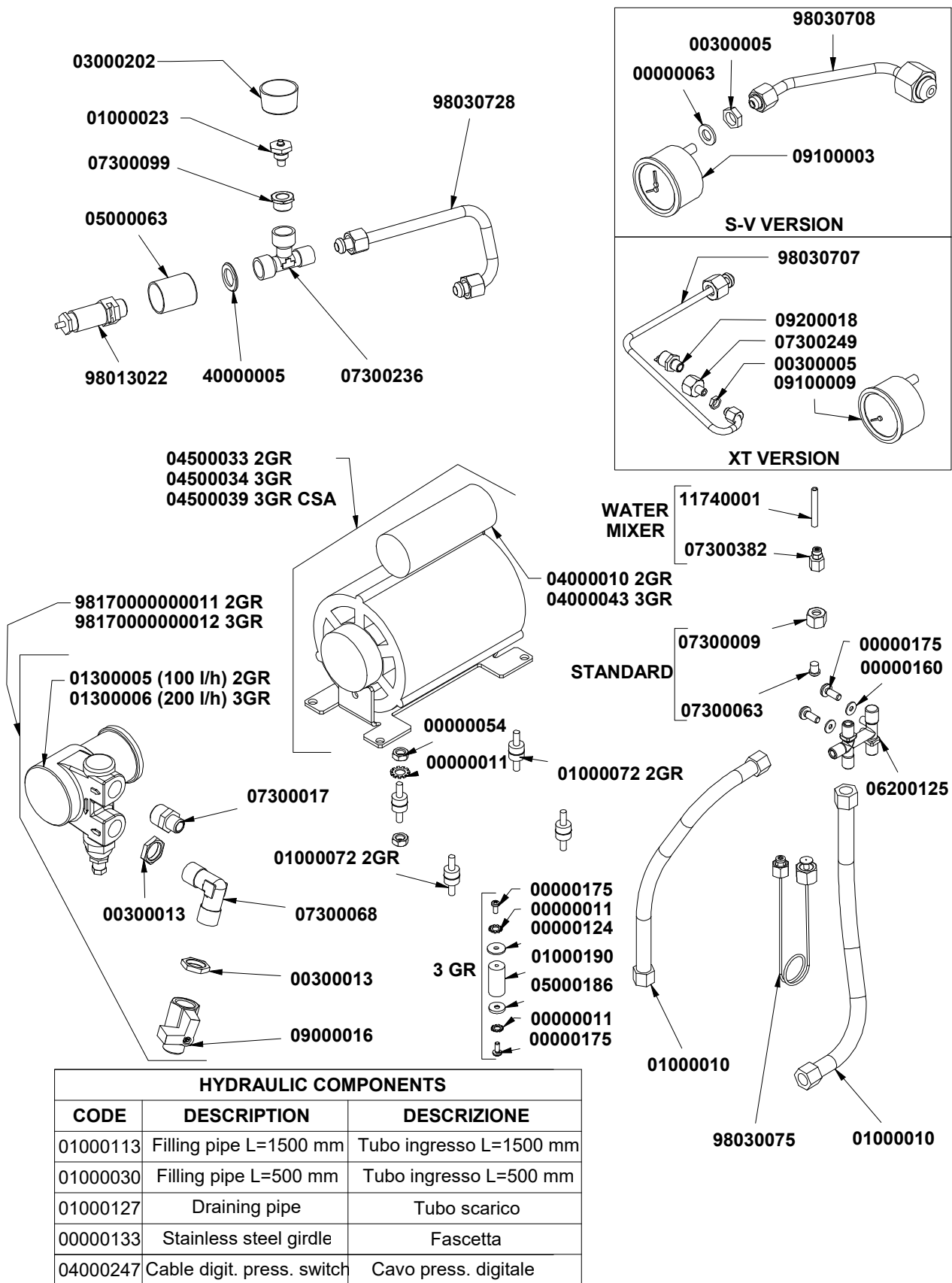
T.03

COD.	DESCRIPTION	DESCRIZIONE	VAL.
00000118	S/SHEX SOCKET CAP SCREW M4x12 5931	VITE INOX M4X12 TCEI 5931	
00000197	S/S HEX SOCKET CAP SCREW M6x8 ISO 4762	VITE INOX M6X8 TCEI ISO 4762	
00000217	S/S SCREW TE CH9 + TC LT=20 FOR SHOWER	VITE INOX M6 LT=20 TE CH9 + TCX DOCCIA	
00000221	S/S SECURITY FLAT WASHER INOX M6 CONICAL	RONDELLA DI SICUREZZA INOX M6 SCHNORR CONICA	
00300021	S/S SLT COUNTERSUNK SCREW M6X18 DIN963	VITE INOX M6X18 TSP TC DIN963	
02280020.V	CONICAL GROUP GASKET	GUARNIZ. SOTTOCOPPA CONICA H7.8 V - NBR 82/84 SHA	
02290016	GASKET O RING D9,5 R5 SIL RED	GUARN. OR D 9,5 R5 SILICONE R.	
03000066	S/S SHOWER 56X5,5X6 WELDED	DOCCIA INOX 56X5,5X 6 SALDATA AISI304	
03000072	FILTER ONE COFFEE HIGH 7gr	FILTRO 1 CAFFE' ALTO 7GR.	
03000073	FILTER TWO COFFEE HIGH 14gr	FILTRO 2 CAFFE' ALTO 14GR.	
03000107	BLIND FILTER	FILTRO CIECO	
04100017	2WAY SOLENOID DIS BASE 1/8220-230V50/60Hzz F1.5 CE	E.V. NC 3VIE BASETТА SCAR. 1/8220-230V 50/60HZ RUBY F	
04100027	3WAY SOLENOID DIS BASE 1/8 208-240V 60Hz F1.3 UL	E.V. NC 3VIE BASETТА SCAR. 1/8208-240V 60HZ RUBY F1.3	
05000840	FILTER HOLDER KNOB 2003 BLACK	MANOPOLA PORTAFILTRO 2003 NERO*KBB*	
05000842	FILTER HOLDER KNOB LOCK 2003	CHIUSURA MANOPOLA PORTAFILTRO 2003 *KBB*	
05000844	BLACK RUBBER COVER FILTER HOLDER KNOB	RIVESTIMENTO GOMMA NERA MANOPOLA PORTAFILTRO	
05080035	COFFEE TAMPER ABS BLACK	PRESSA CAFFE' ABS NERO	
06200008	2WAY OPEN NOZZLE	BECCO DUE VIE OPEN	
07300092	1WAY CURVED OPEN NOZZLE	BECCO UNA VIA CURVO OPEN	
07300126	GIGLEUR M8x8 F.1,5 OT-57 +TEA	GIGLER M8X8 F.1,5 OT-57 +TEA	
07300127	GIGLEUR M8x8 F.2,5	GIGLER M8X8 F.2,5	
07300128	PLUG 1/4 GAS	TAPPO 1/4 GAS OT-57	
07300171	DISPENSING GROUP PLUG OT M20X1,5	TAPPO OT M20X1,5 GR. EROG.	
07300172	FITTING 3/8"M-3/8"M INT M8 OT-57 USA	RACCORDO 3/8"M-3/8"M INT M8 OT-57 USA	
07300183	GROUP DIFFUSER h=3 OT-57	PADIGLIONE GRUPPO H=3 OT-57	
07300183.5	GROUP DIFFUSER h=5 OT-58	PADIGLIONE GRUPPO H=5 OT-58	
07300223	INFUSION CHAMBER COVER PLUG PREMIER GR	TAPPO CHIUS. CAMERA INFUSIONE GR. PREMIER	
07300226	GIGLEUR M8X8 F.2 OT-57 + TEA	GIGLER M8X8 F.2,0 OT-57 +TEA	
07300231	GIGLEUR M8X8 F.1,8	GIGLER M8X8 F.1,8	
07300595	PORTAFILTER KNOB INSERT 2003 AVP ZINC.	INSERTO MANOPOLA PORTAFILTRO 2003 AVP ZINC.	
07300859	FITTING 3/8M-3/8M GIGLER F.3 OT-57	RACCORDO 3/8M-3/8M GIGLER F.3 OT-57	
08000017	S/S FILTER LOCKING SPRING	MOLLA BLOCCA FILTRO ACC.INOX	
08000034	HOSE CLAMP D12	FASCETTA STRINGITUBO D12	
98005021	COMPLETE SLOPED PORTAFILTER 1WAY N.S.	PORTAFILTRO INCLINATO COMP. 1 VIA N.S. *KBB*	
98005022	COMPLETE SLOPED PORTAFILTER 2WAY N.S.	PORTAFILTRO INCLINATO COMP. 2 VIE N.S.*KBB*	
98005024	SLOPED PORTAFILTER BODY + N.S. HANDLE	CORPO PORTAFILTRO INCLINATO + MANOPOLA N.S. *KBB	
98030202	SUPERIOR TUBE 3/8 3/8 LOW GR APPIA 2-3GR	TUBO SUP. 3/8 3/8 GR.BASSO APPIA 2-3 GR.	
98030204	INFERIOR TUBE 3/8 3/8 LOW GR APPIA 2-3GR	TUBO INF. 3/8 3/8 GR.BASSO APPIA 2-3 GR.	
98030206	SUPERIOR TUBE 3/8 3/8 RAISED GR APPIA 2-3GR	TUBO SUP. 3/8 3/8 GR. ALTO APPIA 2-3 GR.	
98030208	INFERIOR TUBE 3/8 3/8 RAISED GR APPIA 2-3GR	TUBO INF.3/8 3/8 GR.ALTO APPIA 2-3 GR.	
980400000005000001	DISPENSING GROUP SET 220-240V 380V 50/60Hz	ASS. GR. EROG. 220-240V 380V 50/60Hz	
980400000005000002	DISPENSING GROUP SET CE 380V TRI	ASS. GR. EROG. CE 380V TRI	
980400000005000003	DISPENSING GROUP SET CE 208-240V 60Hz	ASS. GR. EROG. CE 208-240V 60Hz	
980400000005000004	DISPENSING GROUP SET ETI - KC 208-240V 60Hz	ASS. GR. EROG. ETI - KC 208-240V 60Hz	
980400000005000005	DISPENSING GROUP SET 110-120V 60Hz	ASS. GR. EROG. 110-120V 60Hz	
980400000005000006	DISPENSING GROUP SET TL/CSA 208-240V 60Hz	ASS. GR. EROG. TL/CSA 208-240V 60Hz	
980400000005000007	DISPENSING GROUP SET CC 220-230V 50Hz	ASS. GR. EROG. CC 220-230V 50Hz	
980400000005000008	DISPENSING GROUP SET INMETRO 208-240V 60Hz	ASS. GR. EROG. INMETRO 208-240V 60Hz	
980400000005000009	DISPENSING GROUP SET IRAM 220-230V 50Hz	ASS. GR. EROG. IRAM 220-230V 50Hz	
980400000005000011	DISPENSING GROUP SET CE 220-240V 50-60Hz	ASS. GR. EROG. CE 220-240V 50-60Hz	

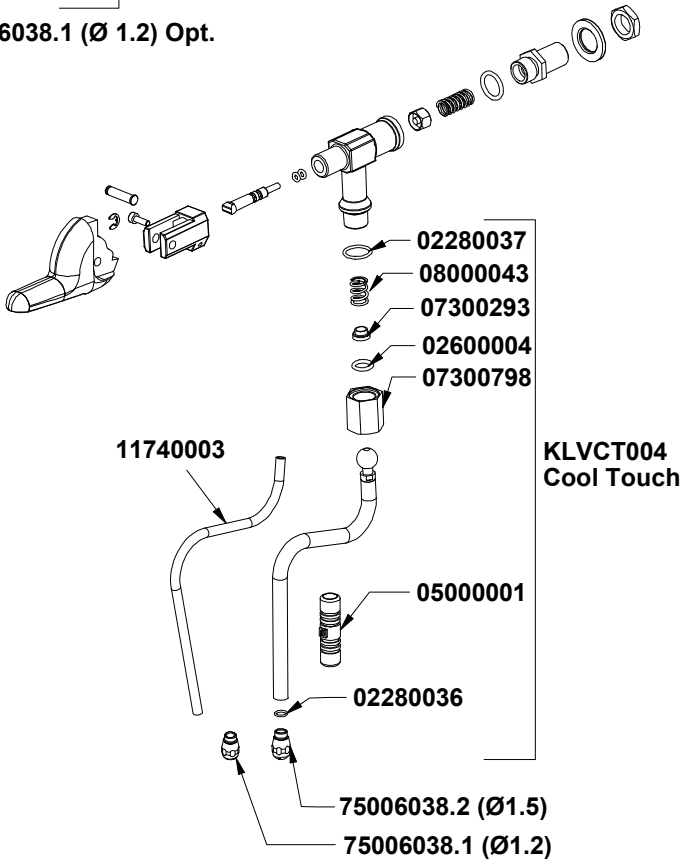
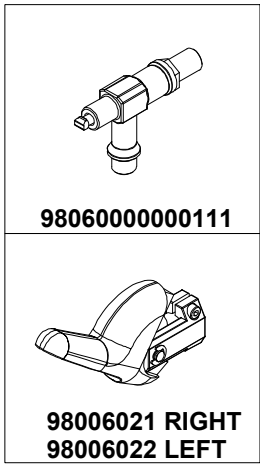
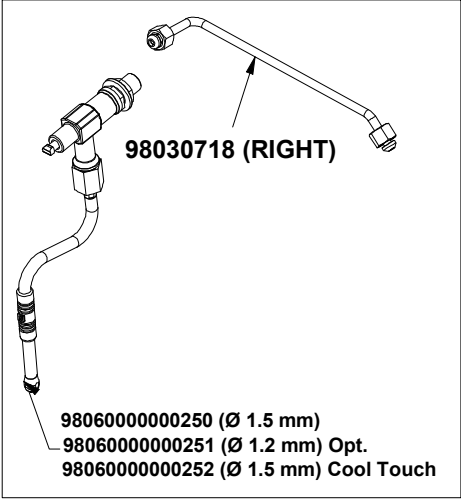
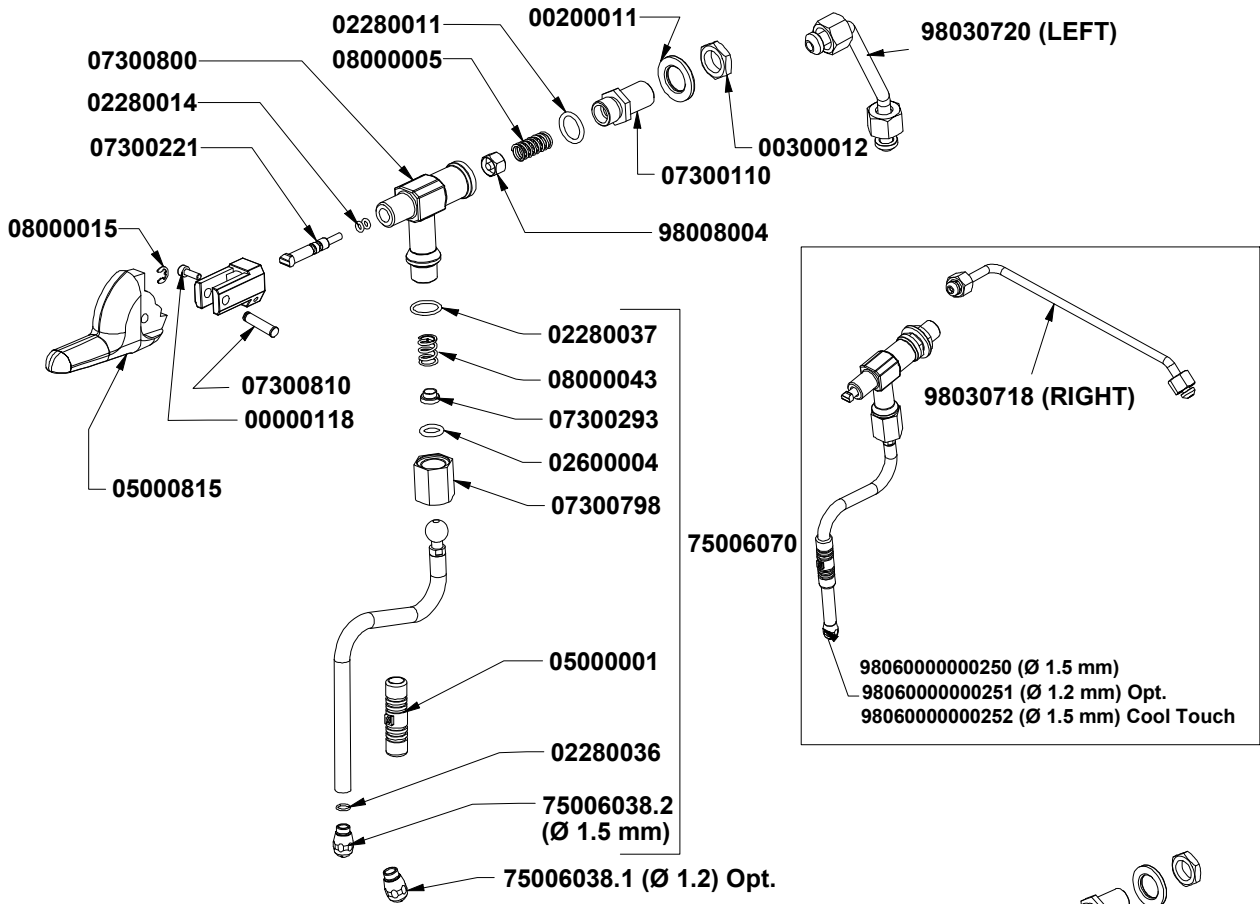
**APPIA** 2-3 GR + XT  
*Life.* 2-3 GR + XT

**COMPONENTI GRUPPO EROGAZIONE**  
**POURING UNIT GROUP PARTS**

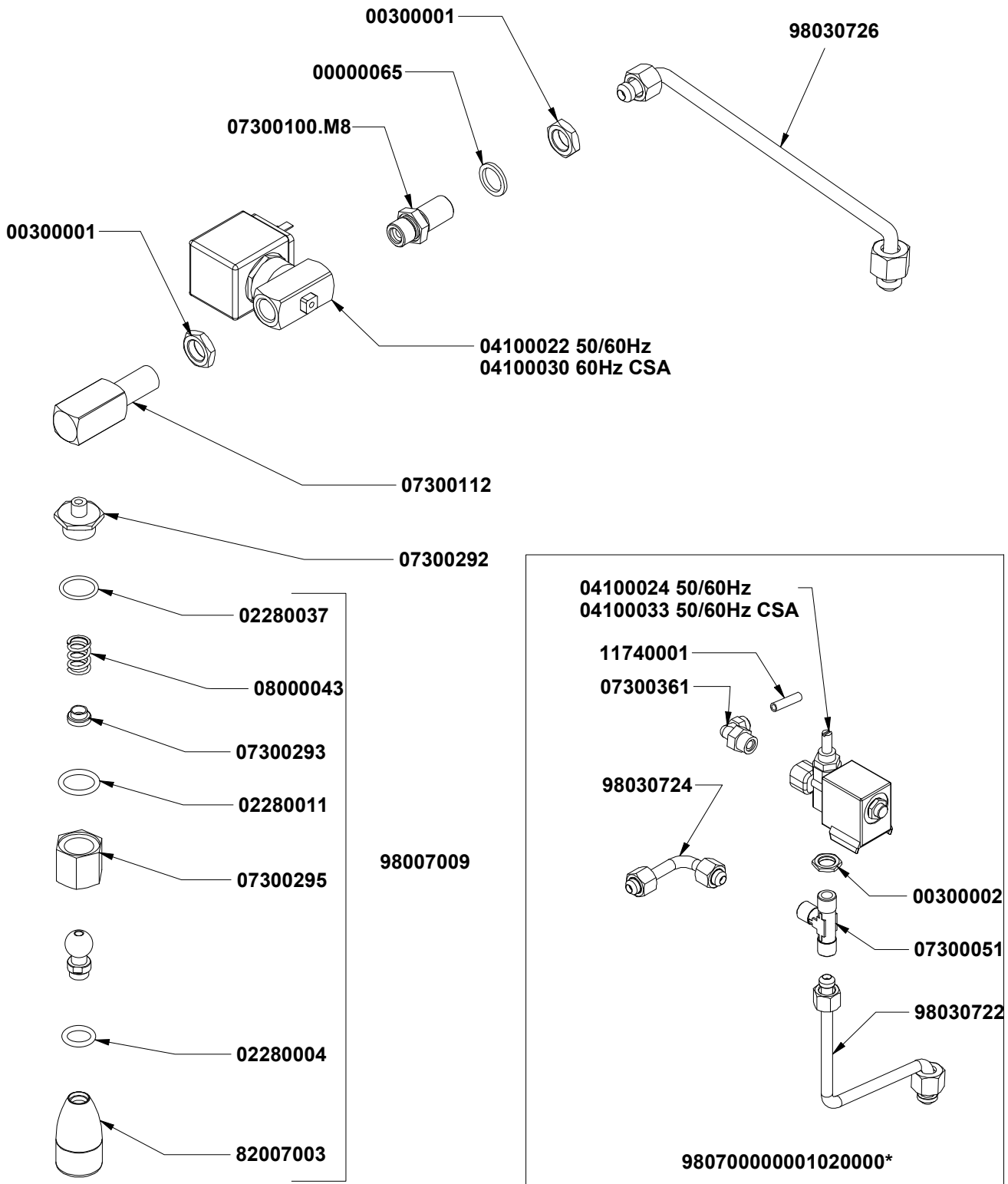
COD.	DESCRIPTION	DESCRIZIONE	VAL.
98040000005000012	DISPENSING GROUP SET INMETRO 220-230V 50Hz	ASS. GR. EROG. INMETRO 220-230V 50Hz	
98040000005000013	DISPENSING GROUP SET IRAM 220-240V 50-60Hz	ASS. GR. EROG. IRAM 220-240V 50-60Hz	
98040000005000010	DISPENSING GROUP SET CSA 110-120V 60Hz	ASS. GR. EROG. CSA 110-120V 60Hz	
KRIC0002	6pc PK LONGLIFE CONICAL GASKET SHEATH MUSICA-AF	CONFEZIONE 6PZ. GUARNIZIONE SOTTOCOPPA CONICA I	



COD.	DESCRIPTION	DESCRIZIONE	VAL.
00000011	S/S KNURLED WASHER M4 UNI8842/A	RONDELLA INOX M4 ZIGRINATA UNI8842/A	
00000054	GALV HIGH NUT M4	DADO AQ M4 ALTO ZINCATO	
00000063	GALV WASHER AQ D10X21X2	RONDELLA AQ D 10X21X2 ZN	
00000124	GALV WASHER D4 3x16x1.5	RONDELLA AQ D4.3X16X1.5 ZINC.	
00000133	S/S CLIP WD12 16-25 C7 W2	FASCETTA INOX WD12 16-25 C7 W2	
00000160	S/S WASHER D4X12 UNI 6593	RONDELLA INOX D4X12X1 UNI 6593	
00000175	S/S CROSS HEAD CAP SCREW M4X10	VITE INOX M4X10 TC TCR	
00300005	BRASS NUT 1/8 GAS D4 ADD 22.07.96 CH13	DADO OT 1/8 GAS AGG.22.07.96 SPESS.4 CH13	
00300013	BRASS NUT 3/8 GAS D4 CH20 ADD 22.07.96	DADO OT 3/8 GAS SPESS.4 CH20 AGG.22.07.96	
01000010	S/S FLEXIBLE TUBE 1/4 FF L=320	TUBO FLESS.INOX 1/4-F.F. L=320*KBB*	
01000023	ANTI VACUUM VALVE	VALVOLINA SFIATO	
01000030	S/S FLEXIBLE TUBE 3/8 FF L=500	TUBO FLESS INOX 3/8 FF L=500 *KBB*	
01000072	ANTI-VIBRATING AD 10X10 M4 MM	ANTIVIBRANTE AD 10X10 M4 MM * KB *	
01000113	S/S FLEXIBLE TUBE 3/8 90° 3/8 FF L1500	TUBO FLESS INOX 3/8 A 90 F. - 3/8 F. L=1500 *KBB*	
01000127	DIRECT SLEEVE DISCHARGE TUBE D19 L=2m	TUBO SCARICO CON MANICOTTO DIRITTO D.19 L= 2 M	
01000190	VIBRATION DAMPER D15x30 M4 FF	ANTIVIBRANTE CD15X30 M4 FF * KB *	
01300005	VOLUMETRIC PUMP 100 L/h OT-57	POMPANTE VOLUMETRICO 100 LT/H OT-57 *KBB*	
01300006	VOLUMETRIC PUMP 200 L/h OT-57	POMPANTE VOLUMETRICO 200 LT/H OT-57 *KBB*	
03000202	CONDENSATION TRAY MASTER	VASCHETTA RACCOGLI CONDENSA AGG. 07.06.97	
04000010	CAPACITOR 6 MICRO F	CONDENS. 6MICROF X 04500033 UL	
04000043	CAPACITOR 10mF x 04500034	CONDENS.10MICROF X 04500034 UL	
04000247	CONN. CABLE 3P RAST 2,5/MOLEX L.800MM	CAVO COLL.3P RAST 2,5/MOLEX L.800MM	
04500033	ELEC ENGINE MASTER/PREMIER 2001 230V 50/60Hz 120W	MOTORE EL. MASTER/PREMIER 2001230V 50/60HZ 120W *	
04500034	ELEC ENGINE 230V 50/60Hz 165W	MOTORE ELETTRICO 230V 50/60HZ165W *KBB*	
04500039	ELEC ENGINE 220/240V 50/60Hz 165W FOR CSA	MOTORE ELETTRICO 220/240V 50/60HZ 165W (X MACCHIN	
05000063	SAFETY VALVE COVER PA6	COPRI VALVOLA SICUREZZA PA6	
05000186	H3 D6,3/20 NYLON INSERT OSCAR GROUP BLACK	INSERTO NYLON GR. OSCAR H3 D.6,3/20 NERO	
06200125	4WAY MANIFOLD 1/4M OT-57 USA	CROCIERA 4 VIE 1/4M OT-57 USA	
07300009	NUT FITTING 1/4 GAS	DADO RACCORDO 1/4 GAS	
07300017	FITTING 1/4M 3/8M GAS OT-57 USA	RACCORDO 1/4M 3/8M GAS OT-57 USA	
07300063	CLOSED TERMINAL D11	TERMINALE CHIUSO D.11	
07300068	FITTING L 3/8 M-M CYLIN	RACCORDO L 3/8 M-M CILIN.	
07300099	FITTING ADAPTER 3/8-1/4 ES. 20 ADD. 29.05.96	RIDUZIONE 3/8-1/4 ES.20 AGG. 29.05.96	
07300236	T FITTING 3/8 M-F-F 466	RACCORDO A T 3/8 M-F-F	
07300249	FITTING 1/8M L = 12 3/8F	RACCORDO 1/8M L=12 3/8F	
07300382	STRAIGHT FITTING 1/4 F	RACCORDO DIR. 1/4 F - CALZAM.	
09000016	SPHERE TAP - NETWORK CONNECTION 3/8 M-F MINI	RUBINET. SFERA ALLACCIO RETE 3/8 M-F MINI	
09100003	DOUBLE SCALE GAUGE 2,5:15 D.60	MANOMETRO DOPPIA SCALA 2,5:15 D.60	
09100009	GAUGE SCALE 0-16 BAR 1/8 D.60 NUOVA SIMONELLI	MANOMETRO SCALA 0-16 BAR 1/8 D.60 NUOVA SIMONELL	
09200018	PRESSURE TRANSDUCER R1 (W/O WIRE 04000244)	TRASDUTTORE DI PRESSIONE R1 (SENZA CAVETTO 04000	
11740001	TEFLON PIPE 6/4	TUBO TEFLON 6/4	
40000005	BRASS WASHER 27x17x2 ROUGH	RONDELLA OT 27X17X2 GREZZA	
98013022	SAFETY VLVE C10 1,8 BAR 3/8" VITON 97/23/CE	VALVOLA SICUREZZA C10 1,8 BAR 3/8" VITON 97/23/CE CA	
98030075	CAPILLARY TUBE 1/8-1/4 0,9X2X400 GAUGE-PUMP	TUBO CAPILLARE 1/8-1/4 0,9X2X400 MANOM.-POMPA *KBB	
98030707	PIPE BOILER-PRESSURE SENSOR 2-3GR.	TUBO CALDAIA-SENSORE PRESSIONE 2-3GR.	
98030708	BOILER - PRESSURE GAUGE TUBE APPIA19 2-3GR	TUBO CALDAIA-MANOMETRO APPIA19 2-3GR.	
98030728	SAFETY VALVE PIPE 2-3GR.	TUBO COLL. VALVOLA SICUREZZA 2-3GR.	
98170000000011	PUMP OT 100LT SET + CONNECTORS	ASSIEME POMPANTE OT 100LT + RACCORDI	
98170000000012	PUMP OT 200LT SET + CONNECTORS	ASSIEME POMPANTE OT 200LT + RACCORDI	



COD.	DESCRIPTION	DESCRIZIONE	VAL.
00000118	S/SHEx SOCKET CAP SCREW M4x12 5931	VITE INOX M4X12 TCEI 5931	
00200011	GALV WASHER M16 17x30x3	RONDELLA AQ M16 17X30X3 ZINC	
00300012	BRASS NUT 3/8 GAS D6 CH22 ADD 22.07.96	DADO OT 3/8 GAS CH22 SPESS.6 AGG. 22.07.96	
02280011	GASKET O RING R11 D19 EP 851	GUARN. OR R11 D19 EP 851	
02280014	GASKET GASKET O RING D.7 AN2/OR102 SILICON	GUARN. OR D7 AN2/OR102 SILICON7XL1715	
02280036	O RING STEAM WAND NOZZ. D6x1.2 EPDM70 (500 PC)	GUARN. OR BECCO LANCIA VAP. DI 6X1.2 EPDM70 (500 PZ	
02280037	GASKET O RING JOINT LOCK 16x2 NBR70	GUARN. OR CHIUSURA SNODO 16X2 NBR70	
02600004	O RING 15,2x10,2x2,5 TEFLON x STEAM WAND SPHERE	GUARN. OR 15,2X10,2X2,5 TEFLONX SFERA LANCIA VAPO	
05000001	RUBBER PROTECTION FOR STEAMWAND D10	GOMMINO PROTEZIONE LANCIA D.10	
05000815	STEAM LEVER HANDLE AURELIA 2011	MANOPOLA VAPORE "AURELIA" 2011	
07300110	SPRING HOLDER TAP R.V. PR. OT-58	TAPPO PORTA MOLLA R.V. PR. OT-58	
07300221	S/S STEAMTAP ROD	ASTA INOX RUBINETTO VAPORE	
07300293	ARTICULATED BUSHING AG.25.06.96 OT-57	BUSSOLA SNODO AG.25.06.96 OT-57	
07300798	NUT FITTING 3/8 H=26 BRASS-NICKEL ARTICULATED WAI	DADO RACC. 3/8 H=26 LANCIA SNODATA OTTONE NICHEL	
07300800	STEAM TAP BODY AURELIA II OT-57	CORPO RUB.VAPORE AURELIA II OT-57	
07300810	STEAM TAP PIN AURELIA IIOT-58	SPINOTTO RUB.VAPORE AURELIA IIOT-58	
08000005	STEAM TAP SPRING 6 ST 11,5X8,5X25	MOLLA 6 ST 11,5X8,5X25 RUB.VAPORE	
08000015	S/S SEEGER RING TYPE RS 5 UNI7434	ANELLO SEEGER TIPO RS 5 INOX UNI7434	
08000043	SPRING FOR ARTICULATED WAND D.1.6 D.11.9x16.2	MOLLA PER LANCIA SNODATA FILO D.1.6 D.11.9X16.2 4 SP	
11740003	CALIBRATED TEFLON PIPE 6/4	TUBO TEFLON 6/4 CALIBRATO	
75006038.1	STEAM NOOZLE M8,65X0,75 F1,2 ESAG.1,2	BECCO VAPORE M8,65X0,75 F. 1,2 ESAG.12	
75006038.2	STEAM NOZZLE M8,65x0,75 F. 1,5 ESAG.12	BECCO VAPORE M8,65X0,75 F. 1,5 ESAG.12	
75006070	SS STEAMWAND KIT NOZZLE 1,5mm HIGH NUT APPIA II	KIT LANCIA VAPORE SNODATA INOX CON BECCO 1,5 E DA	
98006021	LEFT STEAM KNOB SET 2004	ASSIEME MANOPOLA VAPORE 2004 DX *KBB*	
98006022	RIGHT STEAM KNOB SET 2004	ASSIEME MANOPOLA VAPORE 2004 SX *KBB*	
98008004	COMPLETE STEAM VALVE PISTON	PISTONCINO CHIUSURA COMPLETO	
98030718	PIPE STEAM WAND RIGHT	TUBO LANCIA VAP. DX 2-3GR.	
98030720	PIPE STEAM WAND LEFT	TUBO LANCIA VAP. SX APPIA19 2-3GR.	
98060000000111	STEAM TAP SET W/O WAND AURELIA II-APPIA II	ASS. RUBINETTO VAPORE SENZA LANCIA AURELIA II - APF	
98060000000250	STEAM TAP + STEAMWAND SET W/ HIGH NUT APPIA II	ASS. RUBINETTO VAPORE + LANCIA VAPORE CON DADO /	
98060000000251	STEAMTAP + STEAMWAND SET W/HIGH NUT APPIAII 1,2N	ASS. RUBINETTO VAPORE + LANCIA VAPORE CON DADO /	
98060000000252	STEAMTAP + COOL STEAM WAND LIT W/HIGH NUT	ASS. RUBINETTO VAPORE + LANCIA VAPORE FREDDA CO	
KLVCT004	KIT COOLTOUCH STEAM WAND HIGH NUT APPIA II	KIT LANCIA VAPORE "COOL TOUCH" DADO ALTO APPIA II	

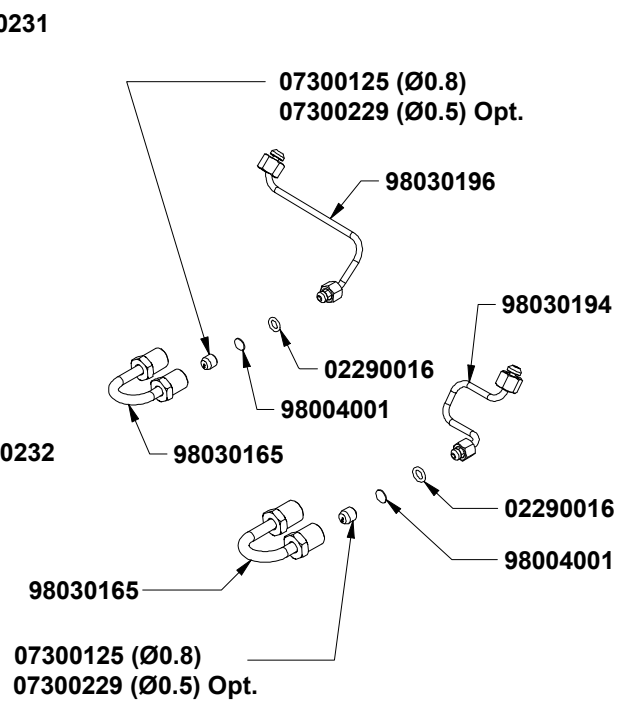
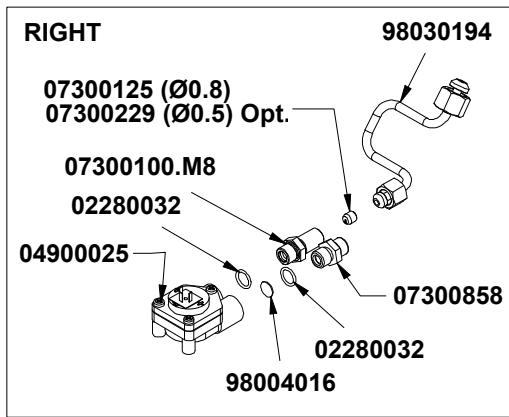
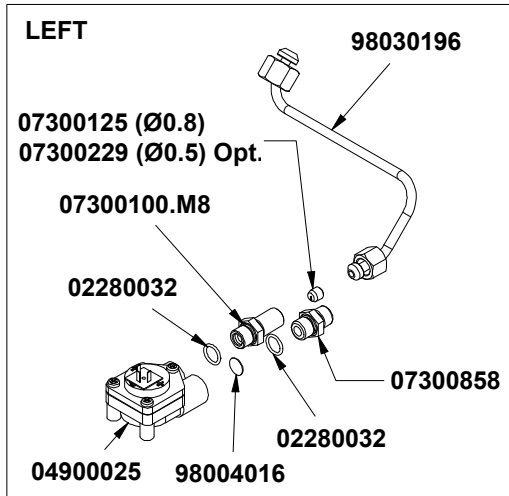
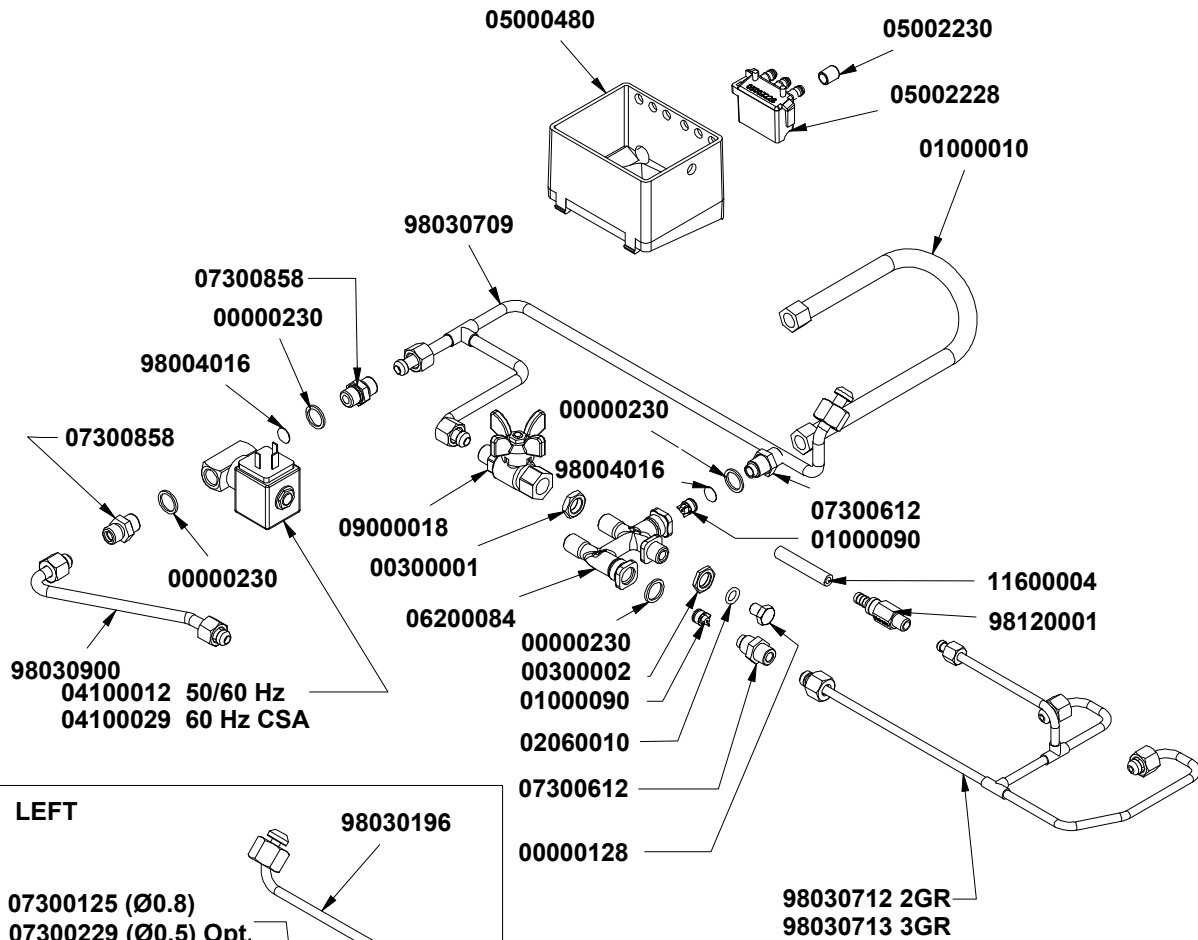


CODE	DESCRIPTION	DESCRIZIONE
04001526	SUPPL. WIR. SOL.VALVE-MIS.	SUPPL. CABL. E.V. MISC.

\*Specificare versione  
Specify version

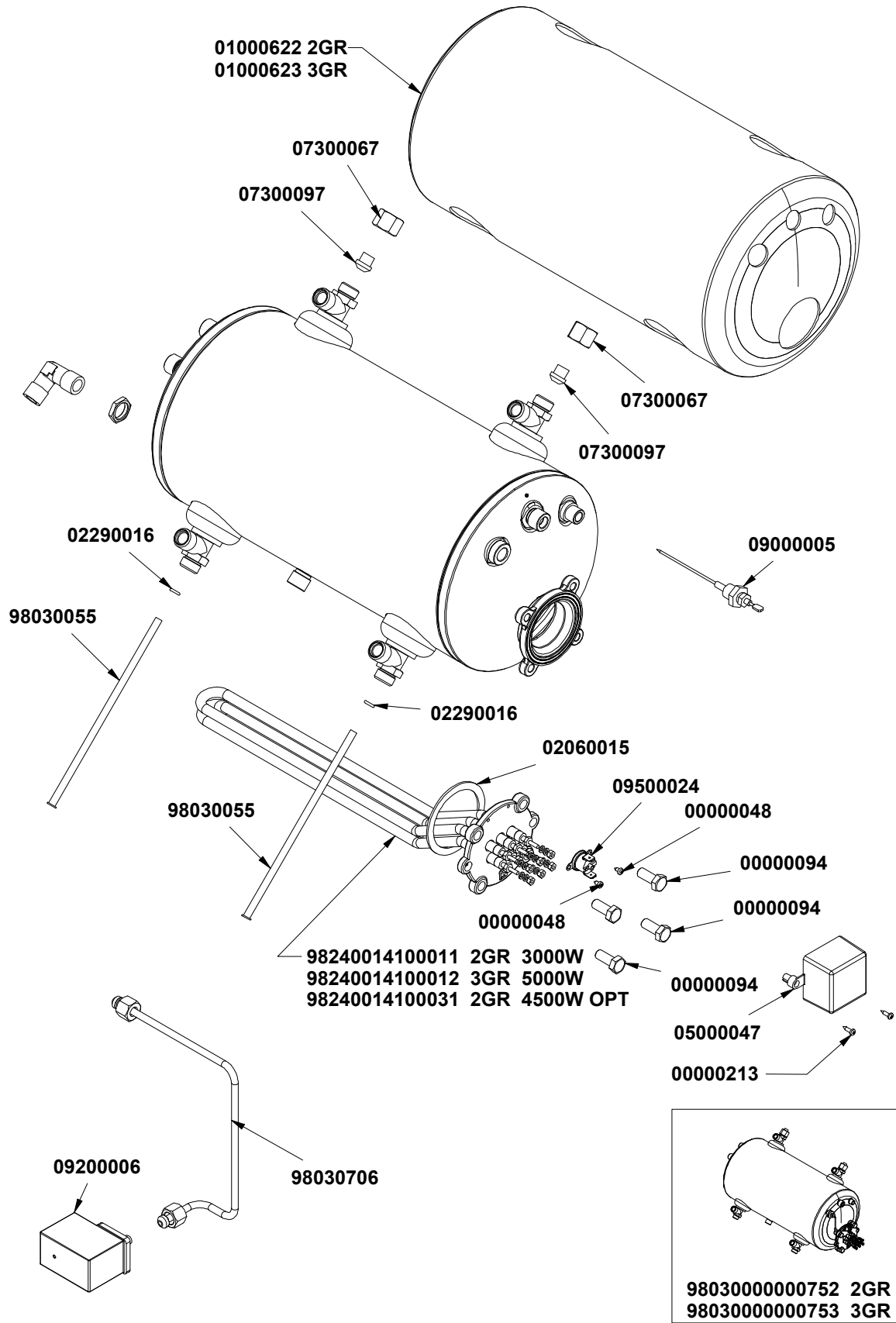
T.06

COD.	DESCRIPTION	DESCRIZIONE	VAL.
00000065	BRASS WASHER 1/4	RONDELLA OT 1/4 AGG.07.03.86	
00300001	BRASS NUT 1/4 GAS D5 CH18	DADO OT 1/4 GAS SPESS.5 CH18 *AGG. 22.07.96	
00300002	BRASS NUT 1/4 D3 CH18	DADO OT 1/4 SPESS.3 CH18 AGG. 22.07.96	
02280004	GASKET O RING 115 D17 EP 856 x SWIVEL STEAM PIPE	GUARN. OR 115 D.17 EP856 SNODO LANCIA	
02280011	GASKET O RING R11 D19 EP 851	GUARN. OR R11 D19 EP 851	
02280037	GASKET O RING JOINT LOCK 16x2 NBR70	GUARN. OR CHIUSURA SNODO 16X2 NBR70	
04001526	WIRING SOL. VALVE MIXER HOT WATER SEM 2-3GR.	SUPPL. CABLAGGIO E.V. MISCELATORE A.CALDA APPIA SI	
04100022	3WAY SOLENOID 1/4-1/4 220-230V50/60Hz F3 CE TH1xM4	E.V. NC 2VIE 1/4-1/4 220-230V 50/60HZ RUBINO F3 CE PIEC	
04100024	3WAY SOLENOID 1/4 REGUL 90° 230V50/60Hz F3 CE	E.V. NC 2VIE 1/4 REGOLAT. 90° 230V 50/60HZ F.3 CE	
04100030	2WAY SOLENOID 1/4-1/4 208-240V 60Hz F3 UL TH1xM4	E.V. NC 2VIE 1/4-1/4 208-240V 60HZ RUBY F3 UL PIEDINO F	
04100033	2WAY SOLENOID 1/4 REGUL 90° 230/240V 50/60Hz	E.V. NC 2VIE 1/4 REGOLAT. 90° 230/240V 50/60HZ F3 UL CA	
07300051	FITTING T 1/4 M-M-M CYLIN.	RACCORDO T 1/4 M-M-M CILIN.	
07300100.M8	DISCHARGE ATTACHMENT 1/4 1/4 + INT M8 OT-57 USA	ATTACCO SCAR. 1/4-1/4 + INT M8OT-57 USA	
07300112	WATER TAP CONNECTION OT-57 USA	ATTACCO RUB. ACQUA OT-57 USA	
07300292	TAP ATTACHMENT FOR ARTICULATED S/S STEAMWAND	ATTACCO RUBINETTO PER LANCIA VAPORE SNODATA IN	
07300293	ARTICULATED BUSHING AG.25.06.96 OT-57	BUSSOLA SNODO AG.25.06.96 OT-57	
07300295	NUT FITTING 3/8 H=21 BRASS-NICKEL ART.WAND	DADO RACC. 3/8 H=21 LANCIA SNODATA	
07300361	FITTING L GIR 1/4 M-FITTING 6 VITON 346 A	RACCORDO L GIR 1/4 M-CALZAM.6 VITON 346 A NICHELAT	
08000043	SPRING FOR ARTICULATED WAND D.1.6 D.11.9x16.2	MOLLA PER LANCIA SNODATA FILO D.1.6 D.11.9X16.2 4 SP	
11740001	TEFLON PIPE 6/4	TUBO TEFLON 6/4	
82007003	HOTWATER DIFFUSER D23,5 F1/8 WITH PLASTIC AERATOR	ROMPIGETTO ACQUA CALDA D.23,5 F 1/8" CON AERATORI	
98007009	S/S HOTWATER WAND KIT L70 W/ DIFFUSER	KIT LANCIA ACQUA C. INOX L=70 COMP. DI ROMPIGETTO &	
98030722	BOILER-WATER MIXER PIPE 2-3GROUPS	TUBO CALDAIA - EV MISCELATORE APPIA19 2-3GR.	
98030724	PIPE MIXER-HOT WATER WAND 2-3GROUPS	TUBO EV MISCELAT.-LANCIA ACQUA CALDA 2-3GR.	
98030726	BOILER-HOT WATER SOL. VALVE 2-3GROUPS	TUBO CALDAIA - EV ACQUA CALDA 2-3GR.	
980700000001020001	MIXER ASSEMBLY HOT WATER 2-3 GR. CE	ASS. MISCELATORE A.CALDA 2-3GR. CE	
980700000001020002	MIXER ASSEMBLY HOT WATER 2-3 GR. KETI-KC	ASS. MISCELATORE A.CALDA 2-3GR. KETI - KC	
980700000001020003	MIXER ASSEMBLY HOT WATER 2-3 GR. CSA	ASS. MISCELATORE A.CALDA 2-3GR. CSA	



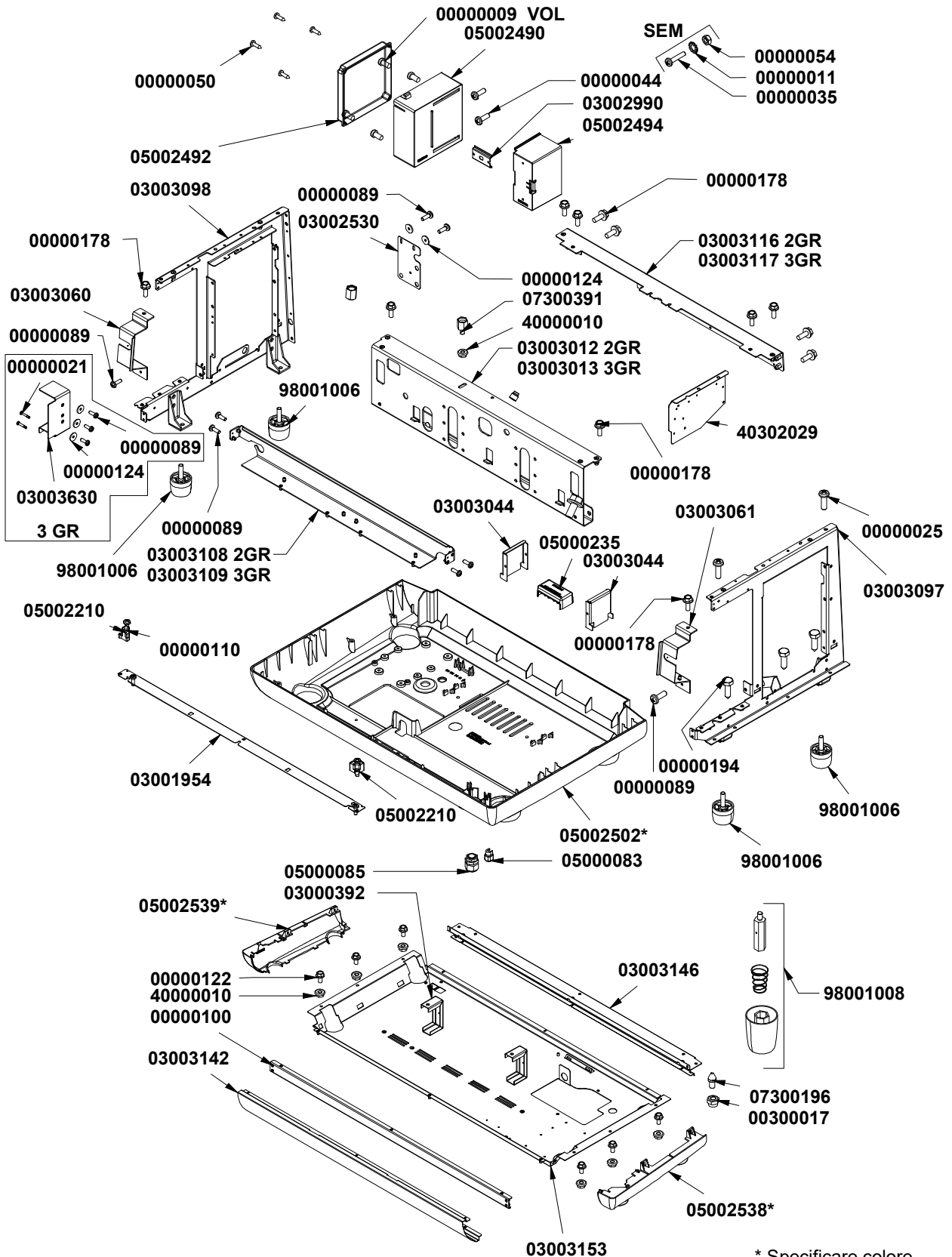
T.07

COD.	DESCRIPTION	DESCRIZIONE	VAL.
00000128	S/S HEX CAP SCREW M8x10 THREADED	VITE INOX M8X10 TE TUTTO FIL.	
00000230	COPPER WASHER SEAL 14X18X1.5	RONDELLA GUARNIZIONE RAME RICOTTO 14X18X1.5	
00300001	BRASS NUT 1/4 GAS D5 CH18	DADO OT 1/4 GAS SPESS.5 CH18 *AGG. 22.07.96	
00300002	BRASS NUT 1/4 D3 CH18	DADO OT 1/4 SPESS.3 CH18 AGG. 22.07.96	
01000010	S/S FLEXIBLE TUBE 1/4 FF L=320	TUBO FLESS.INOX 1/4-F.F. L=320*KBB*	
01000090	RETAINING VALVE D10	VALVOLINA DI RITEGNO D.10	
02060010	COPPER O RING 8.3x13x1.9 ND8	OR RAME 8,3X13XH1,9 DN8	
02280032	GASKET O RING 114 D15 EP 851	GUARN. OR 114 D.15 EP 851	
02290016	GASKET O RING D9,5 R5 SIL RED	GUARN. OR D 9,5 R5 SILICONE R.	
04100012	2WAY SOLENOID 1/8-1/8 1/8 240V50/60hz F3 UL TH2xM5	E.V. NC 2VIE 1/4-1/4 220-230V 50/60HZ VITON F1.5 CEPIEDI	
04100029	2WAY SOLENOID 1/4-1/4 208-240V 60Hz F1.5 UL TH1xM4	E.V. NC 2VIE 1/4-1/4 208-240V 60HZ VITON F1.5 UL PIEDINC	
04900025	BRASS FLOWMETER 1/4-1/4 GAS-ATT. HEAD 2,8x0,5	DOSATORE VOLUMETRICO OTT. 1/4-1/4 GAS-ATT. TEST. 2	
05000480	DRAIN TRAY VA358	VASCHETTA SCARICO VA358	
05002228	DISCHARGE MANIFOLD DISPENSING GROUP	COLLETTORE SCARICO GRUPPI EROG	
05002230	DRAIN RUBBER PLUG D8 x 05002228	TAPPO GOMMA SCARICO D.8 X 05002228	
06200084	5WAY MANIFOLD AURELIA OT-57 USA	CROCIERA 5 VIE AURELIA OT-57 USA	
07300100.M8	DISCHARGE ATTACHMENT 1/4 1/4 + INT M8 OT-57 USA	ATTACCO SCAR. 1/4-1/4 + INT M8OT-57 USA	
07300125	GIGLEUR M8x8 F.0,8 OT-57 +TEA	GIGLER M8X8 F.0,8 OT-57 +TEA	
07300229	GIGLEUR M8X8 F.0,5 OT-57 + TEA	GIGLER M8X8 F.0,5 OT-57 +TEA	
07300612	FITTING 1/4 1/4 GAS WITH ORING + RETURN VALVE LOCK	RACCORDO 1/4 1/4 GAS CON OR + BLOCCA VALVOLINA RI	
07300858	FITTING 1/4M-1/4M OT-57 USA	RACCORDO 1/4M-1/4M OT-57 USA	
09000018	DISPENSING SPHERE TAP 1/4 M-F "BUTTERFLY"	RUBINET. SFERA DISTRIBUTORE 1/4 M-F A FARFALLA	
11600004	SILICONE PIPE 5x9 60Sh PEROX	TUBO SILICONE 5X9 60SH PEROX BIANCO (1MT=50GR)	
98004001	S/S FILTER D8	FILTRO INOX DIAM. 8	
98004016	S/S FILTER D12	FILTRO INOX DIAM. 12	
98030165	TUBE 1/4 1/4 SEMI-AUTO MODIFY APPIA 1-2-3GR	TUBO 1/4 1/4 MODIFICA SEMIAUT APPIA 1-2-3 GR.	
98030194	TUBE 3/8 1/4 RIGHT EXCHANGER APPIA S-V 2-3GR	TUBO 3/8 1/4 COLL. SCAMB. DX APPIA S-V 2-3 GR.	
98030196	TUBE 3/8 1/4 LEFT EXCHANGER APPIA S-V 2-3GR	TUBO 3/8 1/4 COLL. SCAMB. SX APPIA S-V 2-3 GR.	
98030231	LEFT FLOWMETER SET APPIA 2-3GR GIGLER F.0,8	ASSIEME DOSATORE SX APPIA 2-3GR. GIGLER F.0,8 TEST.	
98030232	RIGHT FLOWMETER SET APPIA 2-3GR GIGLER F.0,8	ASSIEME DOSATORE DX APPIA 2-3GR. GIGLER F.0,8 TEST	
98030709	BOILER LOADING CENTRAL PIPE 2-3GR	TUBO CARICO CENTRALE CALDAIA APPIA19 2-3GR.	
98030712	MANIFOLD 2GR APPIA19	CROCIERA 2GR. APPIA19	
98030713	MANIFOLD 3GR APPIA19	CROCIERA 3GR. APPIA19	
98030900	VALVE LEVEL - MANIFOLD TUBE VA358	TUBO E.V. LIVELLO-CROCIERA VA358	
98120001	NEPLAX VITON 16,5 BAR VALVE 1/8 HOSE CLAMP	VALVOLA NEPLAX VITON 16,5 BAR 1/8 - PORTAGOMMA	



T.08

COD.	DESCRIPTION	DESCRIZIONE	VAL.
00000048	SELF-TAPPING SCREW 2.9x4.5 TC/T.CR.	VITE AUTOF 2,9X4,5 TC/T.CR.	
00000094	S/S HEX CAP SCREW M8x20 5739	VITE INOX M8X20 TE 5739	
00000213	GALV SELF-TAPPING SCREW 4,2x16 TC T.CR.	VITE AUTOF 4,2X16 TC T.CR. ZIN	
01000622	BOILER INSULATION 2GR	ISOLANTE CALDAIA 2GR	
01000623	BOILER INSULATION 3GR	ISOLANTE CALDAIA 3GR	
02060015	GASKET FOR HEATING ELEMENT 067x054x2	GUARNIZIONE PTFE 067X054X2	
02290016	GASKET O RING D9,5 R5 SIL RED	GUARN. OR D 9,5 R5 SILICONE R.	
05000047	SQAURE RESISTANCE COVER V0	COPRI RESISTENZA QUADRATA V0	
07300067	NUT FITTING 3/8 GAS D11 ADD. 15.11.84 OT-58	DADO RACCORDO 3/8 GAS D11 AGG. 15.11.84 OT-58	
07300097	CLOSED TERMINAL D14 OT-57	TERMINALE CHIUSO D 14 OT-57	
09000005	COMPLETE AUTOLEVEL PROBE L=130	SONDA AUTOLIVELLO COMP. L=130	
09200006	MACHINE PRESSO GAUGE CE/UL TRIF. 30A 400V	PRESSOSTATO CE/UL TRIF. 30A 400V 0,5-1,4BAR	
09500024	MANUAL THERMOSTAT 135°C TRIP FREE GREEN DRIPPIII	TERMOSTATO R.MAN. 135°C TRIP FREE GOCCIOLATURA \	
9803000000752	COMPLETE BOILER SET 2GR APPIA19	ASSIEME CALDAIA COMP.2GR APPIA19	
9803000000753	COMPLETE BOILER SET 3GR APPIA19	ASSIEME CALDAIA COMP.3GR APPIA19	
98030055	INTERNAL TEFLON TUBE EXCHANGER D6x180mm	TUBO TEFLON INT. SCAMBIATORE D.6 X 180 MM.	
98030706	PIPE BOILER-PRESSURE SWITCH 2-3GR.	TUBO CALDAIA-PRESSOSTATO APPIA19 2-3GR.	
98240014100011	HEATING ELEMENT W/ NUTS 3000W	RESISTENZA COMPLETA DI DADI 3000W	
98240014100012	HEATING ELEMENT W/ NUTS 5000W	RESISTENZA COMPLETA DI DADI 5000W	
98240014100031	HEATING ELEMENT W/ NUTS 4500W	RESISTENZA COMPLETA DI DADI 4500W	



\* Specificare colore  
 Specify color

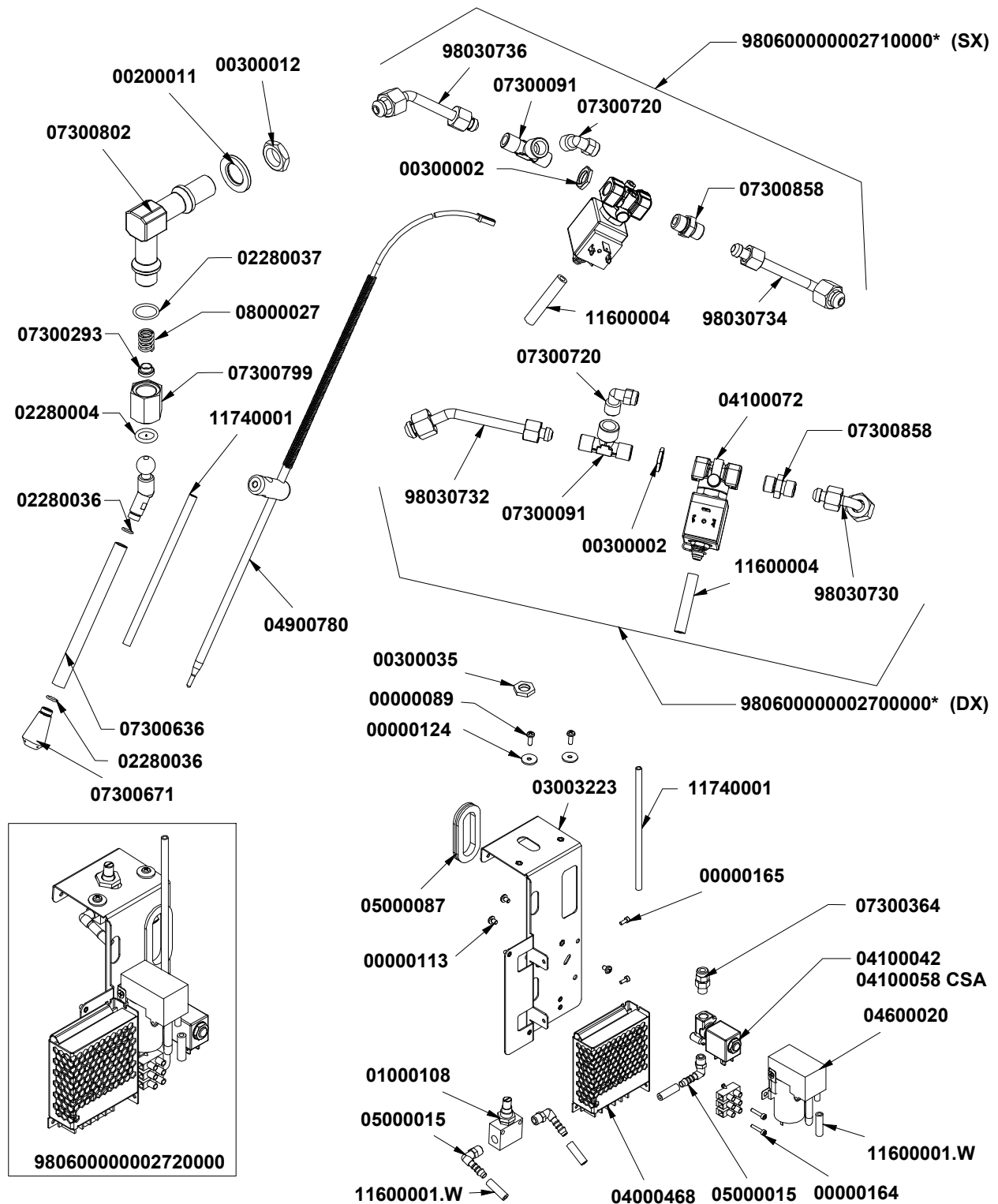
COD.	DESCRIPTION	DESCRIZIONE	VAL.
00000009	GALV SELF-TAPPING SCREW 3,5x6,5 MUSTAD	VITE AUTOF 3,5X8 Z.B. HILO TC TCR	
00000011	S/S KNURLED WASHER M4 UNI8842/A	RONDELLA INOX M4 ZIGRINATA UNI8842/A	
00000021	GALV CROSS HEAD CAP SCREW M4x25	VITE AQ M4X25 TC T.CR. ZINC. TAPT AUTOFORMANTE	
00000025	GALV CROSS HEAD CAP SCREW AQ M6x20	VITE AQ M6X20 TC T.CR. ZINC	
00000035	GALV CROSS HEAD/CAP SCREW M4X20	VITE AQ M4X20 TC T.CR. ZINC	
00000044	GALV CROSS HEAD/CAP SCREW M4x10	VITE AQ M4X10 TC T.CR. ZINC	
00000050	CROSS HEAD/CAP SELF-TAPPING SCREW 3,5x12	VITE AUTOF 3,5X12 TC/T.CR. TRUCIOLARE	
00000054	GALV HIGH NUT M4	DADO AQ M4 ALTO ZINCATO	
00000089	S/S CROSSHEAD CAP SCREW M4x12 DIN7985	VITE INOX M4X12 TC TCR DIN7985	
00000100	M4 HEXAGONAL FTRE RIVET	RIVETTO M4 ESAGONALE FTRE	
00000110	S/S CROSS HEAD CAP SCREW M4x20 7985	VITE INOX M4X20 TC T.CR. 7985	
00000122	WHITE GALV FLANGED KNURLED HEX CAP SCREW 8.8 M	VITE AQ 8.8 M6X12 TE FLANG. ZIGR. ZINC. BIANCO	
00000124	GALV WASHER D4 3x16x1.5	RONDELLA AQ D4.3X16X1.5 ZINC.	
00000178	GALV FLANGED KNURLED HEX CAP SCREW 8.8 M6x16	VITE AQ 8.8 M6X16 TE FLANG. ZIGR. ZINC. BIANCO	
00000194	GALV 10 HEX HEAD CHIPBOARD SCREW 6X20	VITE TRUCIOL. 6X20 T.ES.10 ZINDIN571	
00300017	S/S SELF-LOCKING NUT M4 LOW DIN 982	DADO AUTOBLOC INOX M4 BASSO DIN985	
03000392	BOILER SUPPORT MAC96	SUPPORTO CALDAIA MAC96 AGG.13/03/2006	
03001954	BASE ALIGNMENT PLATE 2GR APPIA	LAMIERA ALLINEAMENTO BASAMENTO2GR. APPIA	
03002530	GAUGE SUPPORT AURELIA II	STAFFA SUP. MANOM. AURELIA II	
03002990	DIN GUIDE 55mm	GUIDA TELERUTTORE DIN 55MM	
03003012	GROUP HOLDER PANEL APPIA II 2 GR	PARETE PORTAGR. 2GR. APPIA II	
03003013	GROUP HOLDER PANEL APPIA II 3 GR	PARETE PORTAGR. 3GR. APPIA II	
03003044	BOILER SUPPORT APPIA 2GR/APPIA II 2 GR-COMPACT	LAMIERA SUPPORTO CALDAIA APPIA 2GR/APPIA II 2GR-CC	
03003060	LEFT STEAM TAP SUPPORT APPIA II	SUPP. RUB. VAPORE SX STAMPATA APPIA II	
03003061	RIGHT STEAM TAP SUPPORT APPIA II	SUPP. RUB. VAPORE DX STAMPATA APPIA II	
03003097	RIGHT SIDE FRAME	FIANCO DX STAMPATO TELAIO APPIA19	
03003098	LEFT SIDE FRAME	FIANCO SX STAMPATO TELAIO APPIA19	
03003108	2GROUPS PUSHBUTTON SUPPORT	LAMIERA SUPP.INVOLUCRO COMANDI 2GR.	
03003109	3GROUPS PUSHBUTTON SUPPORT	LAMIERA SUPP.INVOLUCRO COMANDI 3GR.	
03003116	2GROUPS UPPER BACK FRAME SUPPORT	LAMIERA L SUP. POSTERIORE 2GR.	
03003117	3GROUPS UPPER BACK FRAME SUPPORT	LAMIERA L SUP. POSTERIORE 3GR.	
03003142	FRONTAL BOTTOM FRAME 3GR.	CARENA INF. FRONTALE 3GR.	
03003146	REAR BOTTOM FRAME 3GR.	CARENA INF. POSTERIORE 3GR.	
03003153	SUPPORTING BASE 3GR	BASAMENTO PORTANTE 3GR APPIA19	
03003630	TERMINAL BLOCK SUPPORT	STAFFA SUPP. MORSETTIERA	
05000083	CABLE LOCK SR 11-2 BLACK	BLOCCACAVO SR 11-2 NERO	
05000085	CABLEGLAND TEC-S M20 D.7-14 CON DADO P-CT M20 Es	PRESSACAVO TEC-S M20 D.7-14 CON DADO P-CT M20 ES;	
05000235	TERMINAL BLOCK PROTECTION	COPRI MORSETTO CABLAGGI	
05002210	FLAT ANGULAR DRIP TRAY SUPPORT	SUPPORTO ANGOLARE PIATTO RACCOGLIACQUA	
05002490	MAIN BOARD SUPPORT BOX	SCATOLA SUPPORTO CENTRALINA	
05002492	MAIN BOARD SUPPORT COVER	COPERCHIO SCATOLA SUPPORTO CENTRALINA	
05002494	POWER RELAY SUPPORT	SCATOLA SUPPORTO TELERUTTORE	
05002502	BASE 2GR	BASAMENTO 2GR.	
05002538	BOTTOM RIGHT SIDE	FIANCO INFERIORE DX	
05002539	BOTTOM LEFT SIDE	FIANCO INFERIORE SX	
07300196	FRAME HINGE M4 ES 6	PERNO CARENA M4 ES 6	
07300391	EXTENSION CUP WARMER FASTENING	PROLUNGA FISSAGGIO SCALDATAZZE	
40000010	NUT M6 W/ WELDED GALV WASHER	DADO AQ M6 RONDELLA SALDATA ZINCATO	
40302029	RELAY SAFETY FOIL 2-3 GR.	LAMIERA SICUREZZA RELE' 2-3 GR.	
98001006	MACHINE FOOT 06 BICOMPONENT D48H40 INSERT M10 I	PIEDE MACCHINA 06 BICOMPONENTE D.48 H=40 INSERTO	

**APPIA** 2-3 GR + XT  
*Life.* 2-3 GR + XT

**COMPONENTI TELAIO**

**FRAME PARTS**

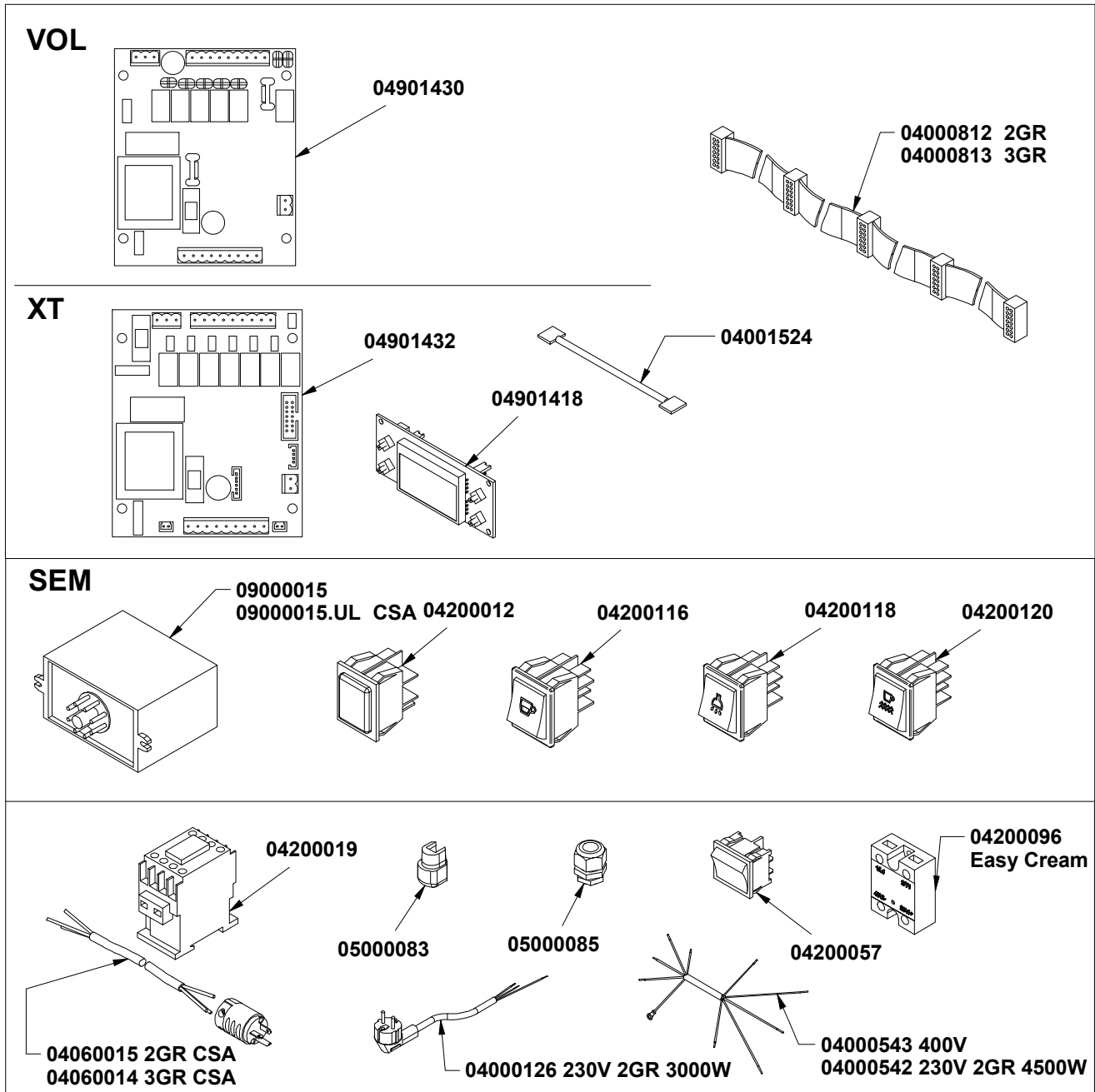
COD.	DESCRIPTION	DESCRIZIONE	VAL.
98001008	KIT TALL FEET 2006 (4 PCS.)	KIT PIEDI ALTI 2006 (4 PZ.) *KBB*	



CODE	DESCRIPTION	DESCRIZIONE
04001510	Wiring Easy Cream	Cablaggio Easy Cream

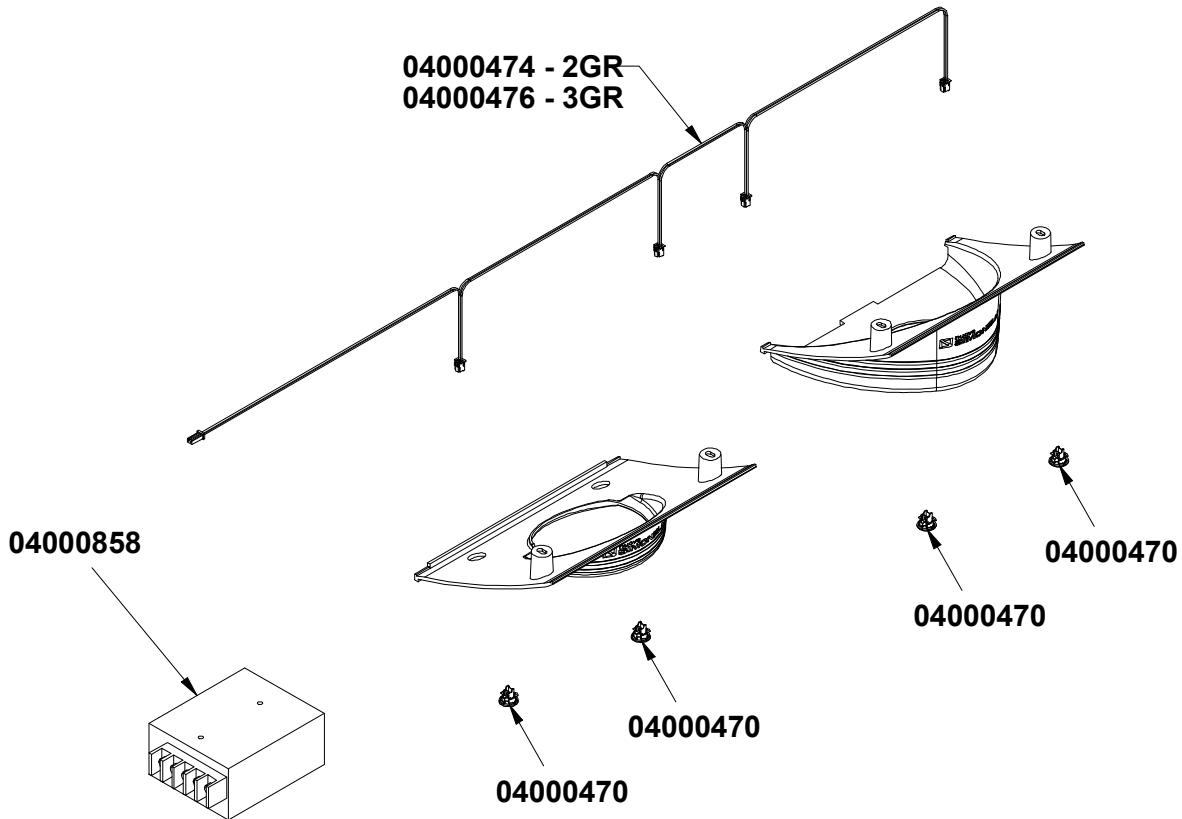
\* Specificare versione  
 Specify version

COD.	DESCRIPTION	DESCRIZIONE	VAL.
00000089	S/S CROSSHEAD CAP SCREW M4x12 DIN7985	VITE INOX M4X12 TC TCR DIN7985	
00000113	S/S CROS SHEAD CAP SCREW M4x6 7985	VITE INOX M4X6 TC T.CR. 7985	
00000124	GALV WASHER D4 3x16x1.5	RONDELLA AQ D4.3X16X1.5 ZINC.	
00000164	S/S SCREW M3x16 TCEI ISO 4762	VITE INOX M3X16 TCEI ISO 4762	
00000165	S/S SCREW M3x8 TCEI ISO 4762	VITE INOX M3X8 TCEI ISO 4762	
00200011	GALV WASHER M16 17x30x3	RONDELLA AQ M16 17X30X3 ZINC	
00300002	BRASS NUT 1/4 D3 CH18	DADO OT 1/4 SPESS.3 CH18 AGG. 22.07.96	
00300012	BRASS NUT 3/8 GAS D6 CH22 ADD 22.07.96	DADO OT 3/8 GAS CH22 SPESS.6 AGG. 22.07.96	
00300035	NUT M12X1 CH19	DADO OT M12X1 CH19 X FISSAGGIO VALVOLA GAS	
01000108	TAP MRF 1/8 FF 604	RUBINETTO MRF 1/8 F-F 604	
02280004	GASKET O RING 115 D17 EP 856 x SWIVEL STEAM PIPE	GUARN. OR 115 D.17 EP856 SNODO LANCIA	
02280036	O RING STEAM WAND NOZZ. D6x1.2 EPDM70 (500 PC)	GUARN. OR BECCO LANCIA VAP. DI 6X1.2 EPDM70 (500 PZ	
02280037	GASKET O RING JOINT LOCK 16x2 NBR70	GUARN. OR CHIUSURA SNODO 16X2 NBR70	
03003223	COMPRESSOR SUPPORT PLATE VA358	LAMIERA SUPPORTO COMPRESSORE VA388	
04000468	TRANSFORMER 24VDC 50W OPTIONAL AURELIA18 LRS 5	TRASFORMATORE 24V 50W OPTIONALS AURELIA18 LRS 5	
04001510	EXTRA WIRING EASYCREAM APPIA19	SUPPL. CABLAGGIO EASY CREAM APPIA19	
04100042	2WAY SOLENOID 1/8-1/8 220-230V50/60Hz F2 CE TH1xM4	E.V. NC 2VIE 1/8-1/8 220-230V 50/60HZ VITON F2 CE PIEDIN	
04100058	2WAY SOLENOID 1/8-1/8 208-240V 60Hz F2 UL TH2xM3	E.V. NC 2VIE 1/8-1/8 208-240V 60HZ VITON F2 UL PIEDINO F	
04100072	3WY SOLENOID 1/4-1/4 DISCHARGE 1/8 208/240V	E.V. NC 3VIE 1/4-1/4 SCAR.1/8 208/240V 50/60HZ F5 INOX	
04600020	MICROCOMPRESSOR EASYCREAM TALENTO/AURELIA II	MICROCOMPRESSORE X EASY CREAM TALENTO / AUREL	
04900780	PROBE PT1000 STEAMWAND TURBOCREAM D06 +SUP A	SONDA PT1000 X LANCIA VAPORE "TURBO CREAM" D06 +	
05000015	TUBE FASTENING WES 6R 1/8	RACCORDO PORTATUBO WES 6R 1/8	
05000087	CABLE DUCT PVC OVALE NERO OV7	PASSACAVO PVC OVALE NERO OV7	
07300091	T FITTING MFM 1/4 CYLIN.	RACCORDO T 1/4 M-F-M CILIN.	
07300293	ARTICULATED BUSHING AG.25.06.96 OT-57	BUSSOLA SNODO AG.25.06.96 OT-57	
07300364	STRAIGHT FITTING 1/8 M CON. - FITTING.6 340	RACCORDO DIR. 1/8 M CON. - CALZAM.6 340	
07300636	STEAM WAND PIPE L=118	TUBO LANCIA INOX VAPORE L=118	
07300671	EASYCREAM NOZZLE 4HOLES TALENTO - AURELIA II	BECCO EASYCREAM 4 FORI TALENTO / AURELIA II	
07300720	L FITTING 1/4 M - FITTINGS	RACCORDO L 1/4 M - CALZAM.	
07300799	NUT FITTING 3/8 H=26 S/S ARTICULATED WAND	DADO RACC. 3/8 H=26 LANCIA SNODATA INOX	
07300802	ATTACHMENT HOT WATER TAP/AUTOSTEAM	ATTACCO RUB. ACQUA/AUTOSTEAM AURELIA II OT-57	
07300858	FITTING 1/4M-1/4M OT-57 USA	RACCORDO 1/4M-1/4M OT-57 USA	
08000027	WAND SPRING	MOLLA PER LANCIA SNODATA	
11600001.W	WHITE SILICONE PIPE 4x7,5 60Sh(1mt=41gr)	TUBO SILICONE BIANCO4X7,5 60SH(1MT=41GR)	
11600004	SILICONE PIPE 5x9 60Sh PEROX	TUBO SILICONE 5X9 60SH PEROX BIANCO (1MT=50GR)	
11740001	TEFLON PIPE 6/4	TUBO TEFLON 6/4	
98030730	WATER MIXER-HOT WATER WAND PIPE 2-3GR.	TUBO CALDAIA-E.V. EASY CREAM DX APPIA19 2-3GR.	
98030732	BOILER-HOT WATER VALVE PIPE 2-3GR.	TUBO E.V. EASY CREAM - LANCIA DX APPIA19 2-3GR.	
98030734	BOILER-EASYCREAM VALVE LEFT PIPE 2-3GR.	TUBO CALDAIA-E.V. EASY CREAM SX APPIA19 2-3GR.	
98030736	EASYCREAM VALVE-STEAM WAND LEFT PIPE 2-3GR.	TUBO E.V. EASY CREAM - LANCIA SX APPIA19 2-3GR.	
980600000002700000	SOLENOID + RIGHT STEAM TUBES SET RIGHT EC	ASS. E.V. + TUBI VAPORE DX EASY CREAM DX	
980600000002700001	SOLENOID + RIGHT STEAM TUBES SET RIGHT EC	ASS. E.V. + TUBI VAPORE DX EASY CREAM DX	
980600000002710001	SOLENOID + LEFT STEAM TUBES SET EC LEFT	ASS. E.V. + TUBI VAPORE SX EASY CREAM SX	
980600000002710000	SOLENOID + LEFT STEAM TUBES SET EC LEFT	ASS. E.V. + TUBI VAPORE SX EASY CREAM SX	
980600000002720000	SUPPORT + EASYCREAM SOLENOID SET	ASS. SUPPORTO+ E.V. EASY CREAM	



ELECTRICAL COMPONENTS		
CODE	DESCRIPTION	DESCRIZIONE
04001510	Wiring Easy Cream	Cablaggio Easy Cream
04001512	Wiring SEM 2GR	Cablaggio SEM 2GR
04001517	Wiring VOL 2GR	Cablaggio VOL 2GR
04000340	Bridge trasf. 380V - 220V	Ponticello trasf. 380V - 220V
04000806	Cup warmer wiring	Cablaggio scaldatasse
04000807.P	Push-button wiring SEM 2GR	Cablaggio puls. SEM 2GR
04000809.P	Push-button wiring SEM 3GR	Cablaggio puls. SEM 3GR

COD.	DESCRIPTION	DESCRIZIONE	VAL.
04000126	ELECTRIC CABLE 2MT CE SCHUKO PLUG 90° 3X1,5	CAVO ELETTR. 2MT CE SPINA SCHUKO 90° 3X1,5 H05VV-F	
04000340	BRIDGE TRANSFORMATION 380V TO 220V AURELIA-APPIA	PONTICELLO TRASF. ALIMENTAZ. DA 380V A 230V AURELIA	
04000542	ELECTRICAL CABLE 3x4 H07RN-F 2mt450/750V CB ICEL	CAVO ELETTR. 3X4 H07RN-F 2MT450/750V CB -> ICEL <-	
04000543	ELEC. CABLE 5x2,5 H07RN-F CB450/750V 2,5mt ICEL	CAVO ELETTR. 5X2,5 H07RN-F CB450/750V 2,5MT ICEL	
04000806	WIRING CUPWARMER 2-3 GR APPIA	CABLAGGIO SCALDATAZZE 2-3 GR. APPIA	
04000807.P	WIRING PUSH-BUTTON PANEL 2/3 GR APPIA S	CABLAGGIO PULSANTIERA 2 GR APPIA S	
04000809.P	WIRING PUSH-BUTTON PANEL 3 GR S APPIA	CABLAGGIO PULSANTIERA 3 GR. S APPIA	
04000812	CABLE 14 WAY KEYPAD 2GR APPIA + SHEATH	CAVO 14 VIE COLL.PULSANTIERA 2GR APPIA + GUAINA	
04000813	CABLE 14 WAY KEYPAD 3GR APPIA + SHEATH	CAVO 14 VIE COLL.PULSANTIERA 3GR APPIA + GUAINA	
04001510	EXTRA WIRING EASYCREAM APPIA19	SUPPL. CABLAGGIO EASY CREAM APPIA19	
04001512	COMPLETE WIRING 2GROUPS SEM VERSION	CABLAGGIO COMP. 2GR S	
04001517	COMPLETE WIRING 2GROUPS VOL VERSION	CABLAGGIO COMP. 2GR V	
04001524	CONN CABLE DISPLAY-CENTRAL BOARD APPIA19	CAVO COLL. DISPLAY-CENTRALINA APPIA19	
04060014	CABLE+PLUG AWG3x12 SJO UL/CSA 30A 250V NEMAL6-3	CAVO ALIM. AWG3X12 SJO 90°C UL/CSA 2MT SPINA USA D	
04060015	CABLE+PLUG AWG3x14 SJO UL/CSA 20A 250V NEMA 6-2C	CAVO ALIM. AWG3X14 SJO 90°C UL/CSA 2MT SPINA USA D	
04200012	RED FLASHING SEGNA SYSTEM UL	SEGNALATORE LUMINOSO ROSSO RETTANGOLARE UL	
04200019	4POLE CONTACTOR 25A CE/UL 230V COIL	CONTATTORE QUADRIPOLE 25A CE/UL BOBINA 230V	
04200057	DBL POWER BIPOLAR BIG SWITCH 10A UL 22X19 AURELIA	INTERRUT. ACCENSIONE BIPOL. GRANDE 10A UL 22X19 A	
04200096	STATIC RELAY 25A 250V 1OUT	RELE' STATICO 25A 250V 1OUT	
04200116	BLUE LIGHT WHITE BIPOLAR SWITCH UL 16A COFFEE	INTERRUTTORE BIPOLARE LUMINOSO BIANCO RETTANGOLARE	
04200118	BLUE LIGHT WHITE BIPOLAR SWITCH UL 16A HOTWATER	INTERRUTTORE BIPOLARE LUMINOSO BIANCO RETTANGOLARE	
04200120	BLUE LIGHT WHITE BIPOLAR SWITCH UL 16A CUPWARMER	INTERRUTTORE BIPOLARE LUMINOSO BIANCO RETTANGOLARE	
04901418	DISPLAY BOARD APPIA19 XT	SCHEDA DISPLAY APPIA19 XT	
04901430	UNIVERSAL CENTRAL BOARD 230V APPIA LIFE	CENTR. UNIVERSALE APPIA LIFE 230V	
04901432	UNIVERSAL CENTRAL BOARD 115-240V APPIA LIFE XT	CENTRALINA UNIVERSALE APPIA LIFE XT 100-240V	
05000083	CABLE LOCK SR 11-2 BLACK	BLOCCACAVO SR 11-2 NERO	
05000085	CABLEGLAND TEC-S M20 D.7-14 CON DADO P-CT M20 ES	PRESSACAVO TEC-S M20 D.7-14 CON DADO P-CT M20 ES	
09000015	AUTOLEVEL CONTROL BOARD 230V	CENTRALINA AUTOLIVELLO 230V	
09000015.UL	AUTOLEVEL CONTROL BOARD UL 230V	CENTRALINA AUTOLIVELLO UL 230V	



CODE	DESCRIPTION	DESCRIZIONE
04000474	Lights wiring 2GR	Cablaggio luci 2GR
04000476	Lights wiring 3GR	Cablaggio luci 3GR
04001508	Lights power supply wiring	Cablaggio alim. luci

**APPIA** 2-3 GR + XT  
*Life.* 2-3 GR + XT

**COMPONENTI LUCI E KIT WIFI**  
**LIGHTS PARTS AND WIFI KIT**

COD.	DESCRIPTION	DESCRIZIONE	VAL.
04000470	12VDC LED SPOT AURELIA WAVE	LED AURELIA18 12V	
04000474	GROUP LIGHTS WIRING AURELIA WAVE 2GR	CABLAGGIO LUCI GRUPPI EROGAZ. 2GR. AURELIA18	
04000476	GROUP LIGHTS WIRING AURELIA WAVE 3GR	CABLAGGIO LUCI GRUPPI EROGAZ. 3GR. AURELIA18	
04000858	TRASF. LED RETRO IN:100/240V OUT:12V CE/UL 15W	TRASF. LED RETRO IN:100/240V OUT:12V CE/UL 15W RS-1	
04001508	WIRING LIGHT TRANSFORMER-WIFI	CABLAGGIO ALIMENTAZ.TRASF.LUCI-WIFI	

[www.nuovasimonelli.it](http://www.nuovasimonelli.it)

---

**Simonelli Group**

Via E. Betti, 1  
62020 Belforte del Chienti  
Macerata Italy  
T +39 0733 9501  
F +39 0733 950242  
info@simonelligroup.it  
www.simonelligroup.it

**Nuova Distribution Usa**

6940 Salashan Pkwy, Bldg. A  
Ferndale, WA 98248  
T +1 360 366 2226  
F +1 360 366 4015  
info@simonelliusa.com  
www.simonelliusa.com

**Nuova Simonelli Asia Pacific**

61 Kaki Bukit Ave 1  
#02-24 Shun Li Industrial Park  
Singapore 417943  
T +65 68410985  
www.nuovasimonelliasiapacific.com

**Nuova Distribution France**

Hexapole - Actipole - Bat 5  
Rue Maurice Herzog  
73420 Viviers Du Lac  
T +33 (0) 9 67894852  
F +33 (0) 4 79544852  
info@nuovadistribution.fr